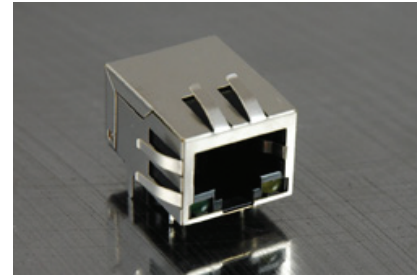




Single Port RJ45 Connector

AR1015-1221I

- 100 Base-T Ethernet Application
- Meets IEEE 802.3 & ANSI X 3.263 standards
- Impedance: 100Ω
- Wave solder capable to 265°C
- Industrial operating temp: -40°C to ±85°C



Electrical Specifications @ 25°C

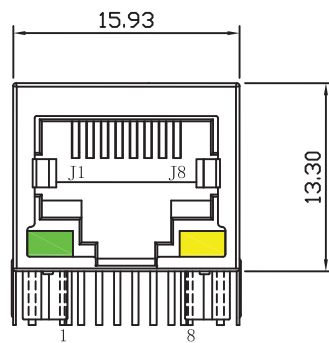
Part Number	OCL(μH Min) @ 100kHz, 0.1V With 8mA DC Bias	Turns Ratio chip: cable (±3%)	Insertion Loss (dB Max)		Return Loss (dB Min)	
			0.5-100MHz	0.5-30MHz	30.1-60MHz	60.1-80MHz
AR1015-1221I	350	1CT:1CT	1.1	-18	-18-20*log(f/30)	-12

Electrical Specifications @ 25°C

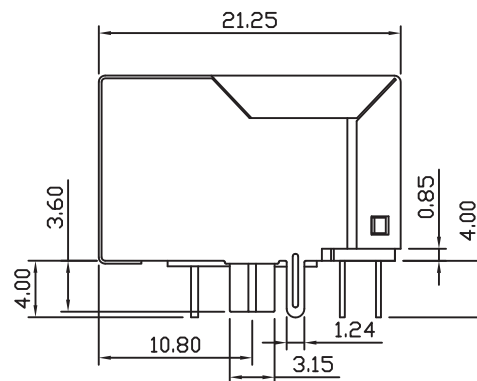
Part Number	EMI Fingers	LED (L/R)	Cross Talk (dB Min)		CMRR (dB Min) 0.5-100MHz	HI-POT VRMS
			0.5-40MHz	40.1-100MHz		
AR1015-1221I	NO	G/Y	-35	-33-20*log(f/50)	-30	1500

All specifications subject to change without notice.

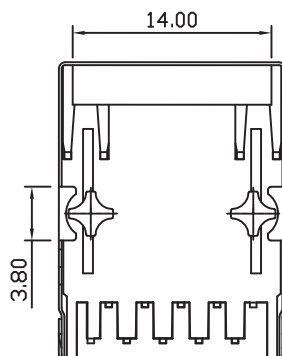
MECHANICAL



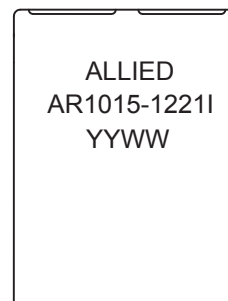
Front Side View



Left Side View



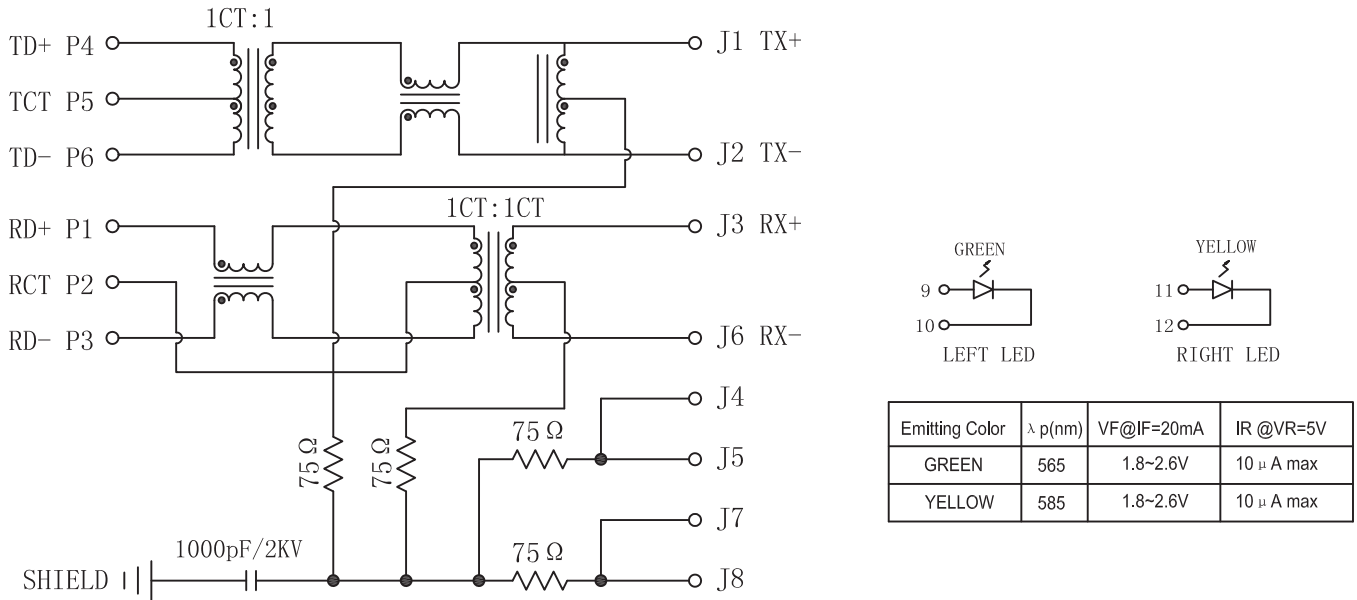
Bottom Side View



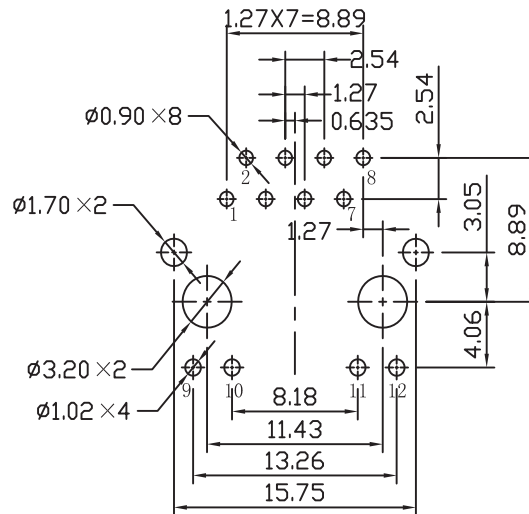
Top Side View



**SCHEMATICS**



**PCB LAYOUT**



**NOTES**

1. Meets IEEE 802.3 specification
2. Connector Materials:  
 Housing Material: Thermoplastic PBT+30%G.F UL94V-0  
 Contact Material: Phosphor Bronze C5210R-EH Thickness=0.35mm  
 Pins: Brass C2680R-H Thickness=0.35mm  
 Shield: SUS 201-1/2H Thickness=0.2mm  
 Contact plating: Gold 6 micro-inches min. In contact area.
3. Wave solder tip temperature: 265°C Max, 5 Sec Max