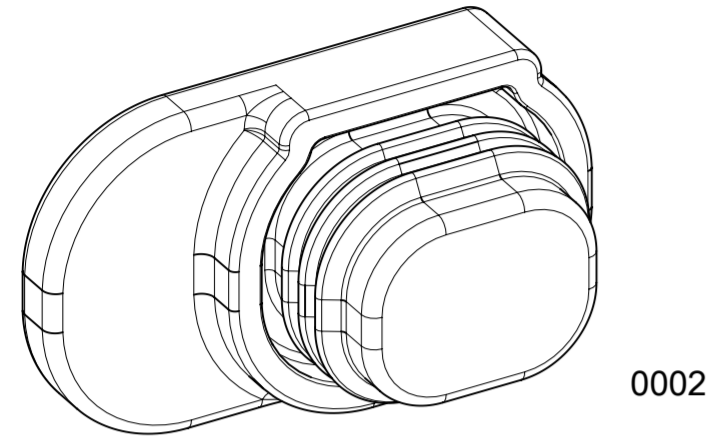
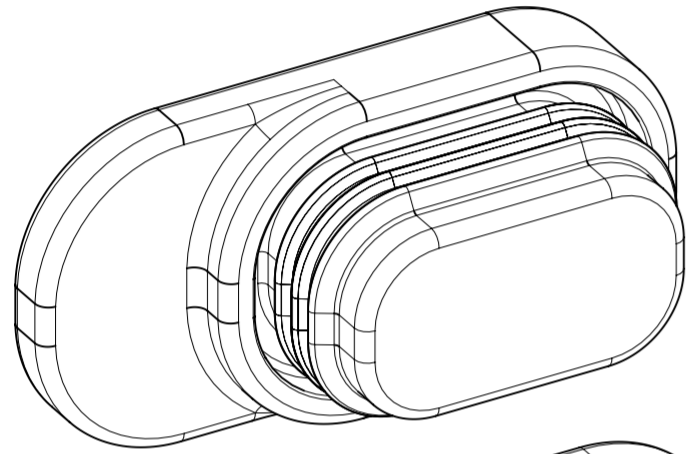


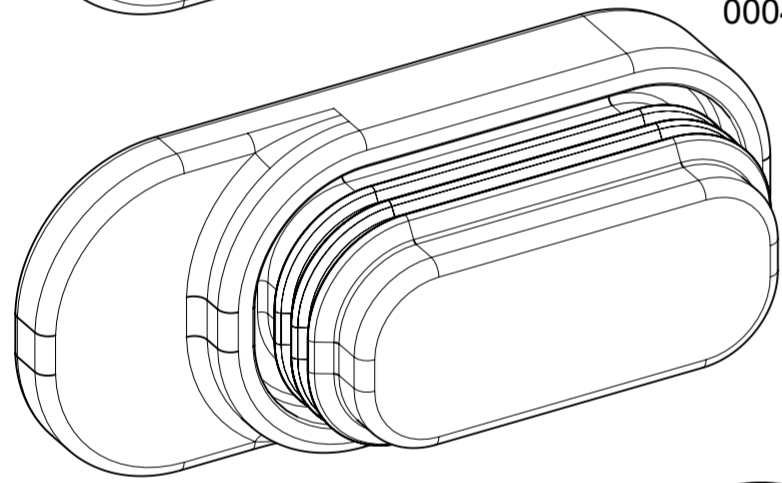
CONFIGURATIONS
220423-XXXX
SCALE 4:1



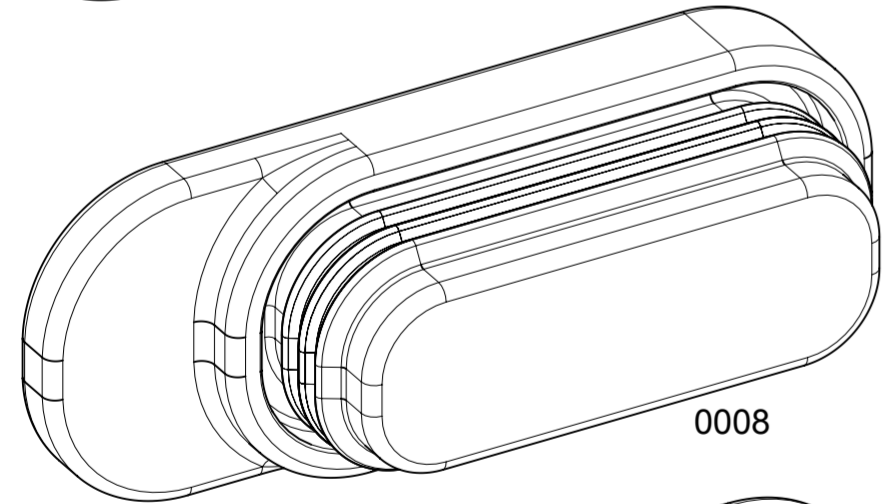
0002



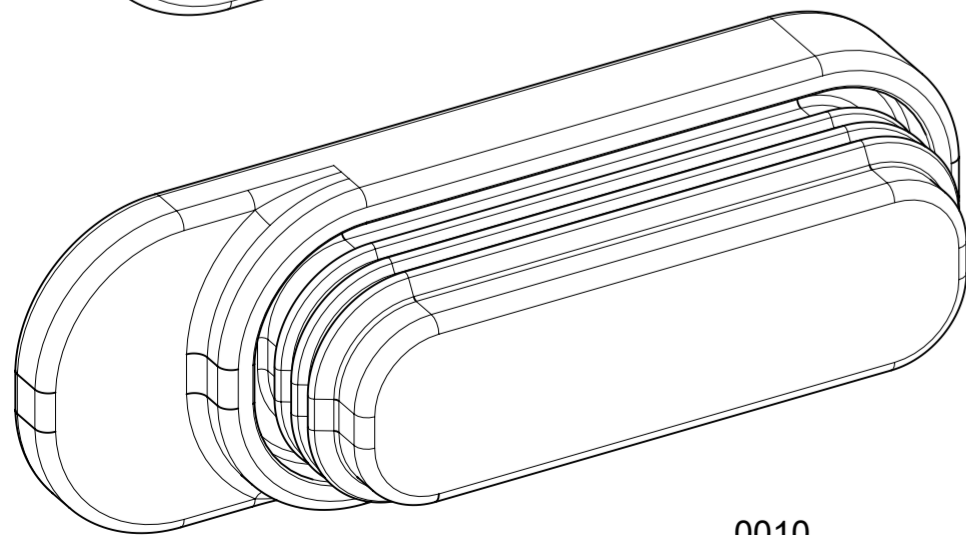
0004



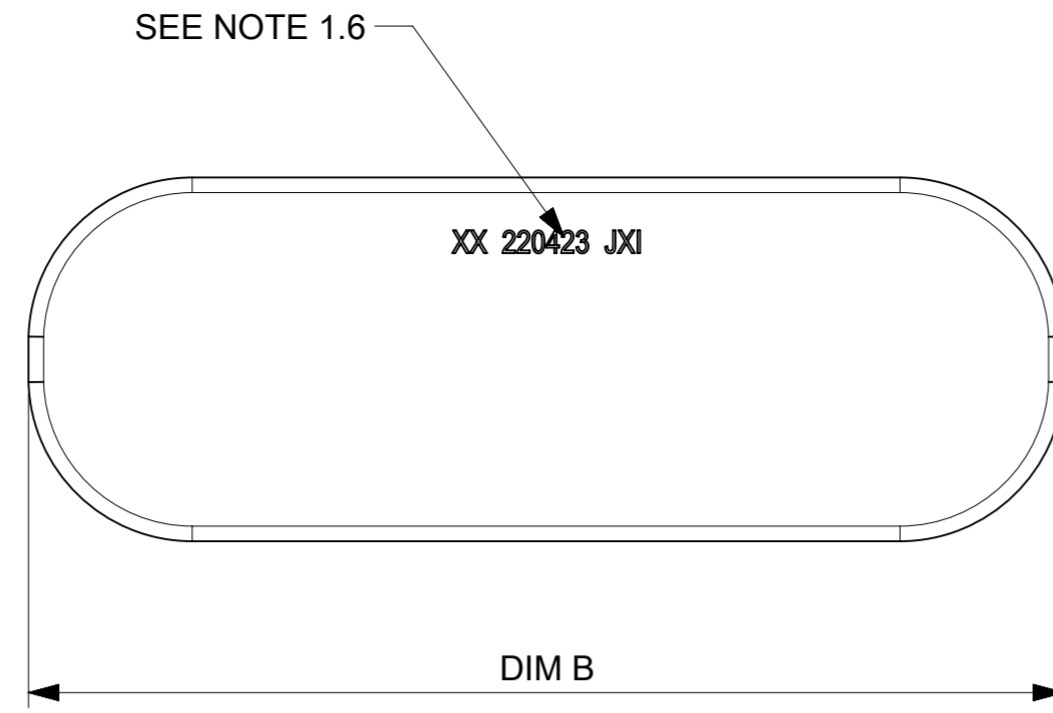
0006



0008



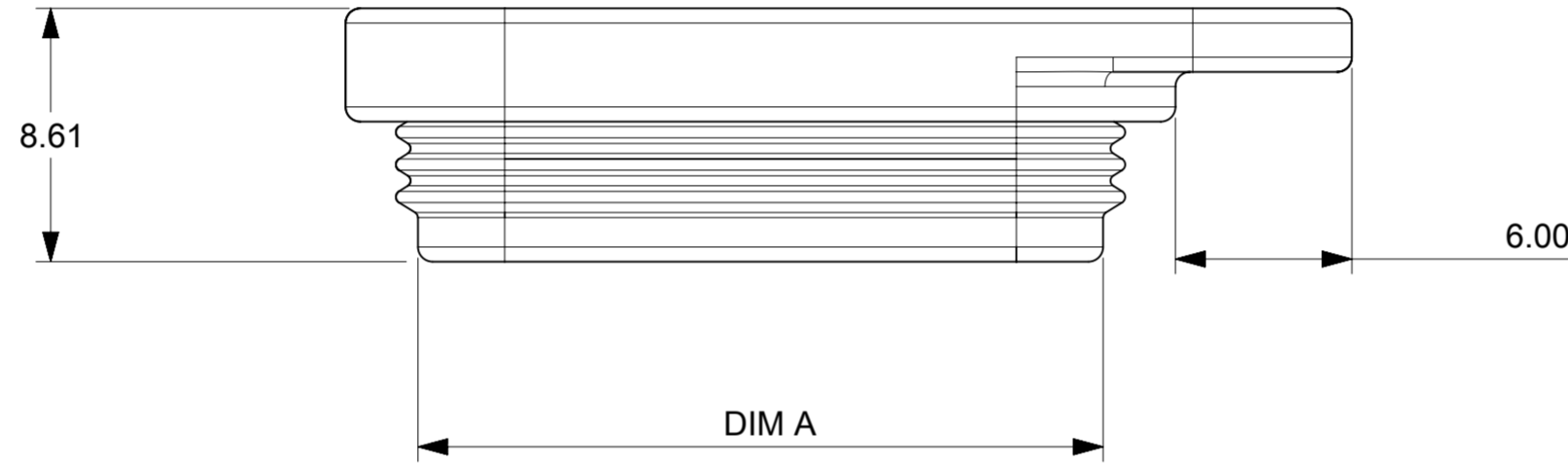
0010



SEE NOTE 1.6

XX 220423 JXI

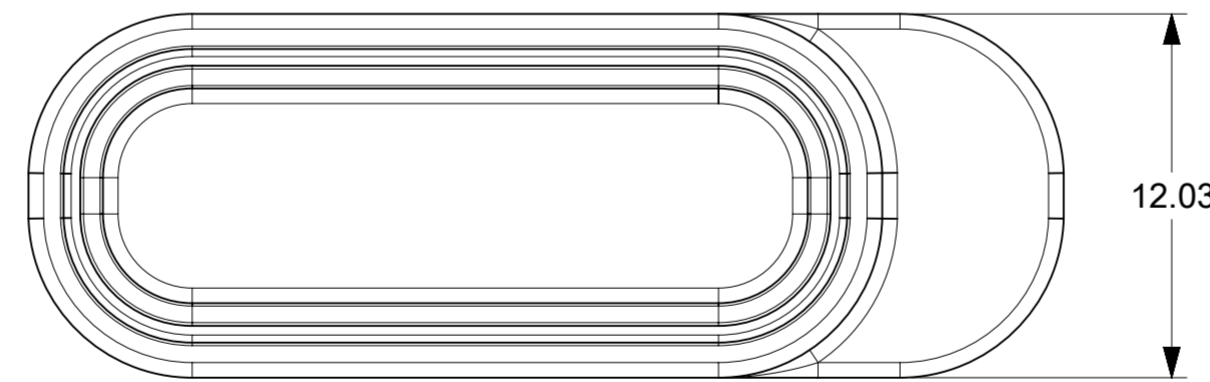
DIM B



8.61

DIM A

6.00



12.03

1. GENERAL:

- 1.1 PRODUCT SPECIFICATION: 2042200000-PS/2077760000-PS
- 1.2 APPLICATION SPECIFICATION: 2042200000-AS/2077760000-AS
- 1.3 TEST SUMMARY: 2042200000-TS
- 1.4 PACKAGING SPECIFICATION: 2204230000-PK
- 1.5 COSMETIC SPECIFICATION: PS-45499-002 CLASS C
- 1.6 MATES WITH: 204223, 207778 (SEE TABLE)
- 1.7 TEXT ON PART IS FOR REFERENCE ONLY. TEXT AND TEXT LOCATION MAY VARY.

2. DESIGN - MATERIALS:

- 2.1 MATERIAL: THERMOPLASTIC ELASTOMER COLOR: BLACK

PART NUMBER	DIM A	DIM B	SQUBA 1.8	SQUBA 3.6
2204230002	8.90	19.82	2 CIRCUIT PLUG	-
2204230004	12.50	23.42	4 CIRCUIT PLUG	2 CIRCUIT PLUG
2204230006	16.10	27.02	6 CIRCUIT PLUG	3 CIRCUIT PLUG
2204230008	19.70	30.62	8 CIRCUIT PLUG	4 CIRCUIT PLUG
2204230010	23.30	34.22	10 CIRCUIT PLUG	-

FUNCTIONAL SYMBOLS $\nabla_A = 0$ $\nabla_C = 0$ $\nabla_P = 0$ DIVISIONAL SYMBOLS	THIS DRAWING CONTAINS INFORMATION THAT IS PROPRIETARY TO MOLEX ELECTRONIC TECHNOLOGIES, LLC AND SHOULD NOT BE USED WITHOUT WRITTEN PERMISSION		<div style="text-align: center; font-size: 24pt; font-weight: bold;">molex</div> <p>SQUBA PLUG WEATHER CAP</p> <p>PRODUCT CUSTOMER DRAWING</p>					
	DIMENSION UNITS	SCALE					CURRENT REV DESC:	
	mm	4:1	EC NO: 732935		2204230000-SD	PSD	000	A
	GENERAL TOLERANCES (UNLESS SPECIFIED)		DRWN: VENKAS5		2022/07/05			
ANGULAR TOL ± °		CHK'D: VENKAS5		2022/12/21				
4 PLACES ±		APPR: MRAMAKRISHNA		2022/12/22				
3 PLACES ±		INITIAL REVISION:						
2 PLACES ± 0.25		DRWN: VENKAS5		2022/07/05				
1 PLACE ±		APPR: MRAMAKRISHNA		2022/12/22				
0 PLACES ±		THIRD ANGLE PROJECTION						
DRAFT WHERE APPLICABLE MUST REMAIN WITHIN DIMENSIONS		DRAWING	SERIES	MATERIAL NUMBER	CUSTOMER	SHEET NUMBER		
		A2-SIZE	220423	SEE NOTES	GENERAL MARKET	1 OF 1		

DOCUMENT STATUS	P1	RELEASE DATE	2022/12/22	06:20:12
-----------------	----	--------------	------------	----------