

PLEASE CHECK WWW.MOLEX.COM FOR LATEST PART INFORMATION

Part Number: [0194351212](#)
Status: **Active**
Overview: [MX150L Industrial Sealed Connector System](#)
Description: [MX150L 12 Circuit Rear Mount Flange Plug for 18-22 AWG Wire, with Gasket, Black](#)

Documents:

3D Model	Packaging Specification PK-19435-001-001 (PDF)
Drawing (PDF)	Brochure (PDF)
3D Model (PDF)	RoHS Certificate of Compliance (PDF)
Product Specification PS-19417-001-001 (PDF)	

General

Product Family	Crimp Housings
Series	19435
Application	Power, Wire-to-Wire
Comments	Mat Seal Color is Red. IP67 rated; conforms to UL 1977. NOT suitable for automotive applications with requirements such as USCAR-2, USCAR-25, GMW3191, AK Testing, J2030, Volvo Technology Requirements, and Toyota Connector Spec (TCS)
Overview	MX150L Industrial Sealed Connector System
Product Name	MX150L
UPC	822350301091

Physical

Circuits (maximum)	12
Color - Resin	Black
Gender	Plug
Glow-Wire Capable	No
Lock to Mating Part	Yes
Number of Rows	2
Packaging Type	Bag
Panel Mount	Yes
Pitch - Mating Interface	5.84mm
Polarized to Mating Part	Yes
Stackable	No
Temperature Range - Operating	-40° to +125°C

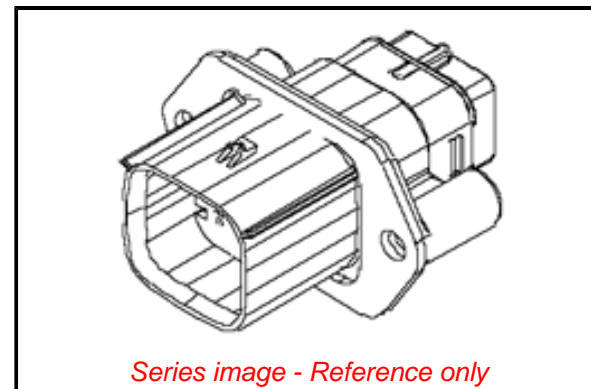
Electrical

Current - Maximum per Contact	18.0A
-------------------------------	-------

Material Info

Reference - Drawing Numbers

Packaging Specification	PK-19435-001-001
Product Specification	PS-19417-001-001
Sales Drawing	SD-19435-012-001



EU ELV

Not Relevant

EU RoHS

Compliant

REACH SVHC

Not Contained Per - D(2021)4569-DC (8 July 2021)

Halogen-Free

Status

Low-Halogen

For more information, please visit [Contact US](#)

China ROHS

ELV

RoHS Phthalates

China RoHS

Green Image

Not Relevant

Not Contained

Search Parts in this Series

[19435 Series](#)

Mates With

[19418 Receptacle Assemblies](#)

Use With

[19417 Male Crimp Terminals](#)