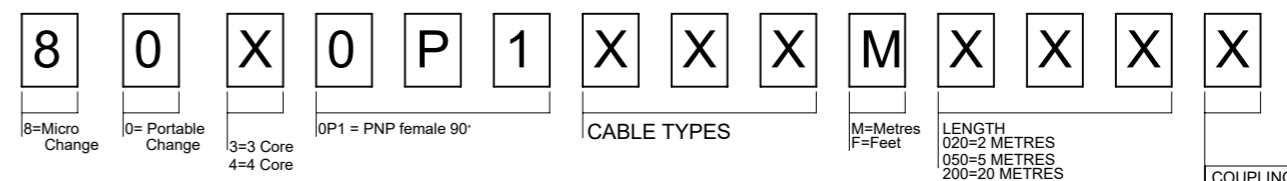
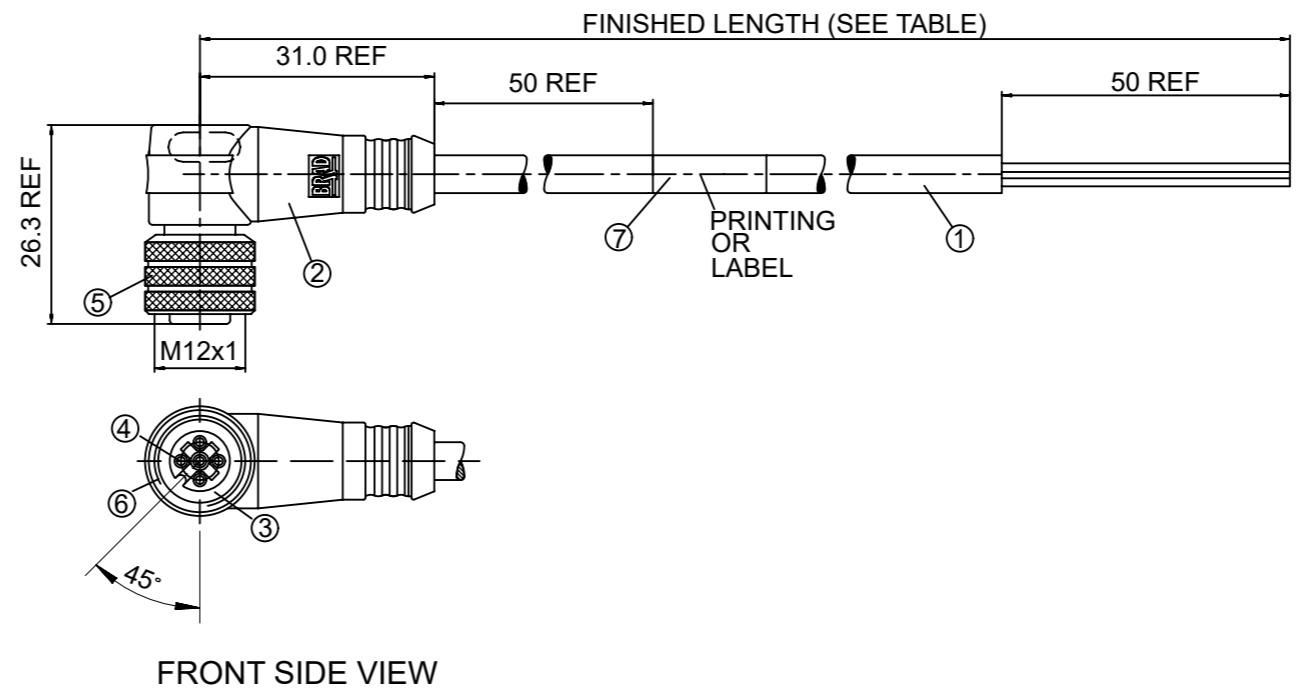
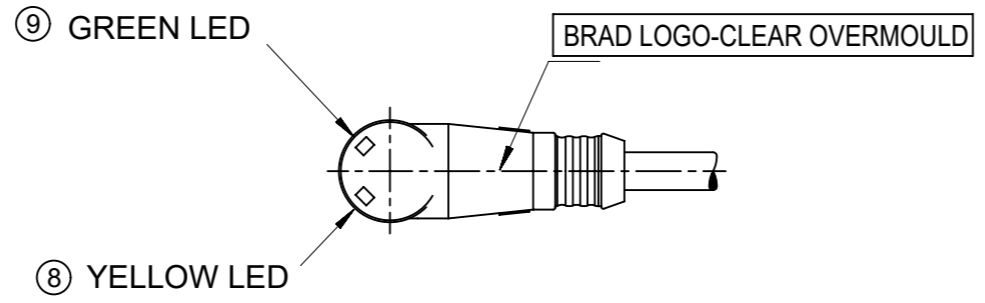


**PART No MATRIX**



- CABLE TYPES**
- E02 = 0,25mm<sup>2</sup>, PVC black
  - E03 = 0,34mm<sup>2</sup>, PVC black
  - E13 = 0,75mm<sup>2</sup>, PVC yellow
  - E52 = 0,34mm<sup>2</sup>, PVC grey (RAL7001)
  - E57 = 0,34mm<sup>2</sup>, PVC grey (RAL7001)
  - H09 = 0,34mm<sup>2</sup>, PUR black
  - H69 = 0,2mm<sup>2</sup>, PUR grey LSOH SCR
  - I02 = 0,25mm<sup>2</sup>, PVC grey CEI
  - I03 = 0,34mm<sup>2</sup>, PVC grey CEI
  - I20 = 0,34mm<sup>2</sup>, PVC grey CEI SCR DC
  - I26 = 0,34mm<sup>2</sup>, PVC grey CEI SCR AC
  - P02 = 0,25mm<sup>2</sup>, PUR/PVC black
  - P03 = 0,34mm<sup>2</sup>, PUR/PVC black
  - P08 = 0,25mm<sup>2</sup>, PUR yellow HIFLEX
  - P20 = 0,34mm<sup>2</sup>, PUR black LSOH braid
  - P82 = 0,34mm<sup>2</sup>, PUR orange irradiated DC
  - S20 = 0,34mm<sup>2</sup>, PVC yellow SJTO braid
  - S26 = 0,34mm<sup>2</sup>, PVC yellow SJTO braid AC
- LENGTH**  
 020=2 METRES  
 050=5 METRES  
 200=20 METRES
- COUPLING NUT**  
 blank and 3-standard (BRASS)  
 1 - STAINLESS STEEL  
 5 - DELRIN  
 7 - TEFLON COAT  
 H=ID CARRIER



**Table of length tolerances**

| Over  | Up to and including | Tolerance (+) |
|-------|---------------------|---------------|
| 0     | 305                 | +19           |
| 305   | 915                 | +45           |
| 915   | 1830                | +56           |
| 1830  | 3660                | +89           |
| 3660  | 7320                | +165          |
| 7320  | 14640               | +317          |
| 14640 | 30500               | +610          |
| 30500 | >                   | +2% of length |

**CONNECTOR SPECIFICATION:**

|                       |  |
|-----------------------|--|
| VOLTAGE RATING        | 10 TO 30VDC                                      |
| AMPERAGE RATING       | max. 4 AMPS                                      |
| PROTECTION            | IP67   |
| OPERATING TEMPERATURE | FLEXING: -5°C TO +90°C<br>STATIC: -30°C TO +90°C |

| ITEM | COMPONENT   | MATERIAL     | FINISH  |
|------|-------------|--------------|---------|
| 9    | LED         |              | GREEN   |
| 8    | LED         |              | YELLOW  |
| 7    | LABEL       | ---          | ---     |
| 6    | O-RING      | VITON        | RED     |
| 5    | COUPLER     | ---          | ---     |
| 4    | PIN CONTACT | COPPER ALLOY | ---     |
| 3    | INSERT      | PUR          | BLACK   |
| 2    | OVERMOLD    | PUR          | NATURAL |
| 1    | CABLE       | SEE TABLE    | BLACK   |

|                 |    |              |            |          |
|-----------------|----|--------------|------------|----------|
| DOCUMENT STATUS | P1 | RELEASE DATE | 2023/02/24 | 12:54:48 |
|-----------------|----|--------------|------------|----------|

THIS DRAWING CONTAINS INFORMATION THAT IS PROPRIETARY TO MOLEX ELECTRONIC TECHNOLOGIES, LLC AND SHOULD NOT BE USED WITHOUT WRITTEN PERMISSION


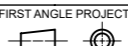
|  |       |  |                   |                               |                 |
|--|-------|--|-------------------|-------------------------------|-----------------|
| DIMENSION UNITS                                      | SCALE | CURRENT REV DESC: REMOVED OBSOLETE PART NUMBERS AS PER PCN#510806. |                   | <b>molex</b>                  |                 |
| mm   | NTS   |  |                   |                               |                 |
| GENERAL TOLERANCES (UNLESS SPECIFIED)                |       |  |                   | CSE M12 PNP XP AC FE RA XM SE |                 |
|  | MM    | INCH   |                   |                               |                 |
| 4 PLACES   | ±     | ±  | EC NO: 733771     |                               |                 |
| 3 PLACES   | ±     | ±  | DRWN: LIKITV      |                               | 2023/01/12      |
| 2 PLACES   | ±     | ±  | CHK'D: GGA        |                               | 2023/02/24      |
| 1 PLACE  | ±     | ±  | APPR: GGA         |                               | 2023/02/24      |
| 0 PLACES   | ±     | ±  | INITIAL REVISION: |                               |                 |
| ANGULAR TOL ± 1.0°                                   |       | DRWN: HWALCZAK   |                   | 2012/11/24                    |                 |
|  |       | APPR: MIWASIECZKO  |                   | 2013/01/15                    |                 |
| DRAFT WHERE APPLICABLE MUST REMAIN WITHIN DIMENSIONS |       | FIRST ANGLE PROJECTION   | DRAWING           | SERIES                        | MATERIAL NUMBER |
|  |       |  | A3-SIZE           | 120067                        | SEE TABLE       |
|  |       |  |                   |                               | CUSTOMER        |
|  |       |  |                   |                               | GENERAL MARKET  |
|  |       |  |                   |                               | SHEET NUMBER    |
|  |       |  |                   |                               | 1 OF 2          |

TABLE

|            |                |
|------------|----------------|
| 1200675067 | 8030P1E03M020  |
| 1200675059 | 8030P1E03M030  |
| 1200675060 | 8030P1E03M050  |
| 1200678020 | 8030P1E03M0501 |
| 1200678326 | 8030P1E03M050H |
| 1200675061 | 8030P1E03M100  |
| 1200678259 | 8030P1E03M150  |
| 1200678021 | 8030P1E03M2005 |
| 1200675027 | 8030P1E52M020  |
| 1200675025 | 8030P1E52M050  |
| 1200675026 | 8030P1E52M100  |
| 1200678308 | 8030P1H09M020  |
| 1200678310 | 8030P1H09M050  |
| 1200678006 | 8030P1H09M050H |
| 1200678311 | 8030P1H09M100  |
| 1200678007 | 8030P1H09M100H |
| 1200675009 | 8030P1I03M020  |
| 1200675093 | 8030P1I03M025  |
| 1200678144 | 8030P1I03M030  |
| 1200675010 | 8030P1I03M050  |
| 1200678210 | 8030P1I03M060  |
| 1200675011 | 8030P1I03M100  |
| 1200678145 | 8030P1I20M020  |
| 1200678026 | 8030P1I20M060  |
| 1200675068 | 8030P1I20M120  |
| 1200678029 | 8030P1P03M010  |
| 1200678030 | 8030P1P03M0101 |
| 1200675069 | 8030P1P03M020  |
| 1200678031 | 8030P1P03M0201 |
| 1200678032 | 8030P1P03M030  |
| 1200678147 | 8030P1P03M030H |
| 1200675002 | 8030P1P03M050  |
| 1200675082 | 8030P1P03M050H |
| 1200678197 | 8030P1P03M075  |

|            |                |
|------------|----------------|
| 1200060366 | 8030P1P03M100  |
| 1200675083 | 8030P1P03M100H |
| 1200678033 | 8030P1P03M150  |
| 1200678035 | 8030P1P09M050  |
| 1200678234 | 8030P1P09M100  |
| 1200678036 | 8030P1P09M150  |
| 1200675029 | 8030P1P82M020  |
| 1200675022 | 8030P1P82M050  |
| 1200678038 | 8030P1S20M010  |
| 1200678248 | 8030P1S20M0101 |
| 1200678039 | 8030P1S20M020  |
| 1200678040 | 8030P1S20M030  |
| 1200675012 | 8030P1S20M050  |
| 1200678192 | 8030P1S20M050H |
| 1200678172 | 8030P1S20M1001 |
| 1200675013 | 8030P1S20M2001 |
| 1200678384 | 8040P1E02M100  |
| 1200678304 | 8040P1E03M010  |
| 1200675014 | 8040P1E03M020  |
| 1200675015 | 8040P1E03M030  |
| 1200678303 | 8040P1E03M040  |
| 1200060611 | 8040P1E03M050  |
| 1200675073 | 8040P1E03M100  |
| 1200678258 | 8040P1E03M150  |
| 1200678282 | 8040P1E03M200  |
| 1200678309 | 8040P1H09M020  |
| 1200678312 | 8040P1H09M050  |
| 1200678008 | 8040P1H09M050H |
| 1200678313 | 8040P1H09M100  |
| 1200678009 | 8040P1H09M100H |
| 1200678306 | 8040P1I03M010  |
| 1200678044 | 8040P1I03M020  |
| 1200678045 | 8040P1I03M030  |

|            |                |
|------------|----------------|
| 1200678307 | 8040P1I03M040  |
| 1200670293 | 8040P1I03M050  |
| 1200670292 | 8040P1I03M100  |
| 1200658616 | 8040P1P03M010  |
| 1200060618 | 8040P1P03M020  |
| 1200651777 | 8040P1P03M030  |
| 1200658621 | 8040P1P03M040  |
| 1200678150 | 8040P1P03M050H |
| 1200675017 | 8040P1P03M100  |
| 1200678151 | 8040P1P03M100H |
| 1200678046 | 8040P1P03M150  |
| 1200678305 | 8040P1P82M0207 |
| 1200678010 | 8040P1S20M010  |
| 1200678201 | 8040P1S20M020  |
| 1200678051 | 8040P1S20M020H |
| 1200675086 | 8040P1S20M030  |
| 1200675024 | 8040P1S20M040H |
| 1200675018 | 8040P1S20M050  |
| 1200675023 | 8040P1S20M100  |
| 1200675019 | 8040P1S20M1001 |
| 1200678053 | 8040P1S20M100H |
| 1200678265 | 8040P1S20M200  |
| 1200675074 | 8040P1S20M2001 |

|   |  |       |  |   |  |  |                  |   |                            |                        |                 |                |
|---|--|-------|--|---|--|--|------------------|---|----------------------------|------------------------|-----------------|----------------|
| THIS DRAWING CONTAINS INFORMATION THAT IS PROPRIETARY TO MOLEX ELECTRONIC TECHNOLOGIES, LLC AND SHOULD NOT BE USED WITHOUT WRITTEN PERMISSION |  |       |  |   |  |  |                  |   |                            |                        |                 |                |
| DIMENSION UNITS   |  | SCALE |  | CURRENT REV DESC: REMOVED OBSOLETE PART NUMBERS AS PER PCN#510806.  |  |  |                  |  |                            |                        |                 |                |
| mm  |  | NTS   |  |   |  |  |                  |   |                            |                        |                 |                |
| GENERAL TOLERANCES (UNLESS SPECIFIED)   |  |       |  | EC NO: 733771<br>DRWN: LIKITV<br>CHK'D: GGA<br>APPR: GGA  |  | 2023/01/12<br>2023/02/24<br>2023/02/24 |                  | PRODUCT CUSTOMER DRAWING  |                            |                        |                 |                |
|   |  |       |  |   |  |  |                  |   |                            |                        |                 |                |
| 4 PLACES ±  |  | ±     |  |   |  |  |                  |   |                            |                        |                 |                |
| 3 PLACES ±  |  | ±     |  |   |  |  |                  |   |                            |                        |                 |                |
| 2 PLACES ±  |  | ±     |  |   |  |  |                  |   |                            |                        |                 |                |
| 1 PLACE ±   |  | ±     |  | INITIAL REVISION:<br>DRWN: HWALCZAK<br>APPR: MIWASIECZKO  |  | 2012/11/24<br>2013/01/15               |                  | DOCUMENT NUMBER<br><b>SD-120067-035</b>   |                            | DOC TYPE<br>PSD        | DOC PART<br>001 | REVISION<br>B1 |
| 0 PLACES ±  |  | ±     |  |   |  |  |                  |   |                            |                        |                 |                |
| ANGULAR TOL ± 1.0°  |  |       |  | FIRST ANGLE PROJECTION<br> |  | DRAWING<br>A3-SIZE                     | SERIES<br>120067 | MATERIAL NUMBER<br>SEE TABLE  | CUSTOMER<br>GENERAL MARKET | SHEET NUMBER<br>2 OF 2 |                 |                |
| DRAFT WHERE APPLICABLE MUST REMAIN WITHIN DIMENSIONS  |  |       |  |   |  |  |                  |   |                            |                        |                 |                |