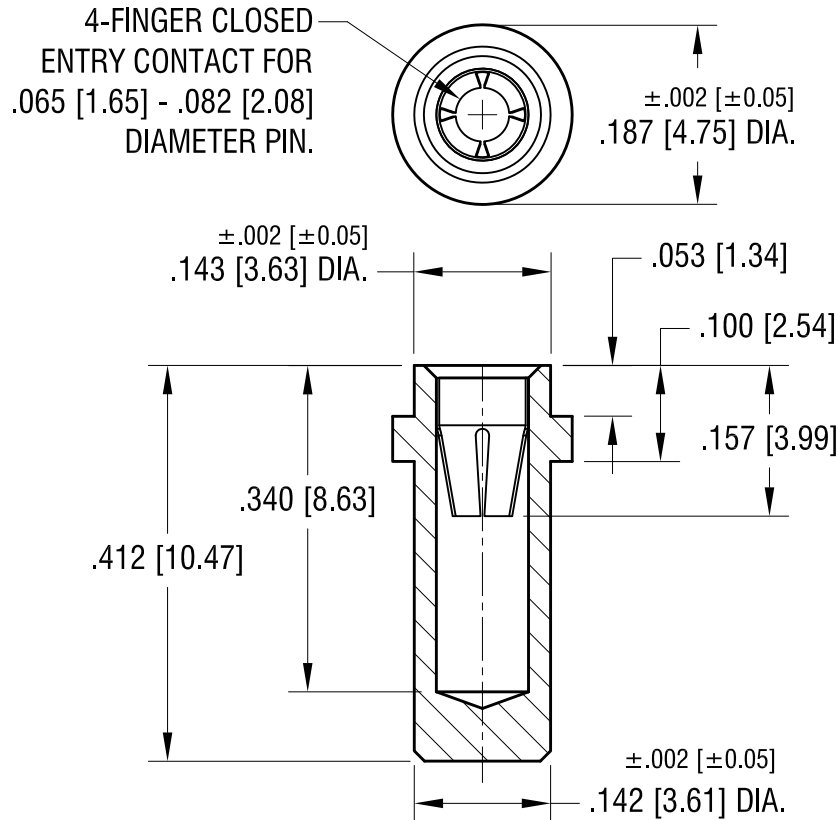


ACTUAL SIZE



NOTES:

1. SPRING CONTACT:  
MAT'L - BERYLLIUM COPPER  
FINISH - GOLD PLATE  
  
BODY:  
MAT'L - BRASS  
FINISH - TIN/LEAD PLATE
2. MOUNTING HOLE DIA.: .144 [3.66]

|  |                       |        |         |
|--|-----------------------|--------|---------|
| <b>KEYSTONE ELECTRONICS CORP.</b>                              |                       |        |         |
| www.keyelco.com • NEW HYDE PARK, NY 11040 • Tel (516) 328-7500 |                       |        |         |
| PART NAME  |                       |        |         |
| MICRO JACK, SOLDER MOUNT                                       |                       |        |         |
| MATERIAL   |                       |        |         |
| AS NOTED   |                       |        |         |
| FINISH   |                       | DRN BY | DATE    |
| AS NOTED   |                       | BOONE  | 2.26.07 |
|  |                       | APP'D  | SCALE   |
|  |                       | LN     | 5X      |
| TOLERANCES   | INCH [MM]             | CODE   | DWG NO. |
| DECIMAL  | $\pm .005 [\pm 0.13]$ | C      | 1689    |
| ANGULAR  | $\pm 1^\circ$         |        |         |
| UNLESS OTHERWISE SPECIFIED                                     |                       |        |         |

|      |             |      |
|------|-------------|------|
| DATE | DESCRIPTION | REV. |
|      |             |      |