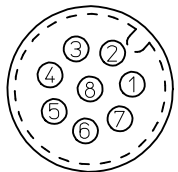


M12 8POLE FEMALE



VIEW FROM THE WIRES SIDE

Pin	Wire color
1	WHITE
2	BROWN
3	GREEN
4	YELLOW
5	GRAY
6	PINK
7	BLUE
8	RED

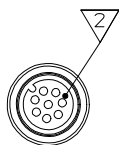
PART No MATRIX

8	0	8	S	0	0	*	*	*	M	*	*	*	*	*
8=Micro Change	0=Portable	8=8 Core	500 = Shielded Female Straight			P19 - Black BRD PUR 0.25mm S19 - Yellow Braided PVC 0.25mm E62 - Gray SHLD PVC 0.25mm			M=Metres F=Feet	LENGTH 020-2 METRES 050-5 METRES 200-20 METRES			OVERMOULD COLOUR Blank=Black (Standard) A=Grey Y=Yellow	

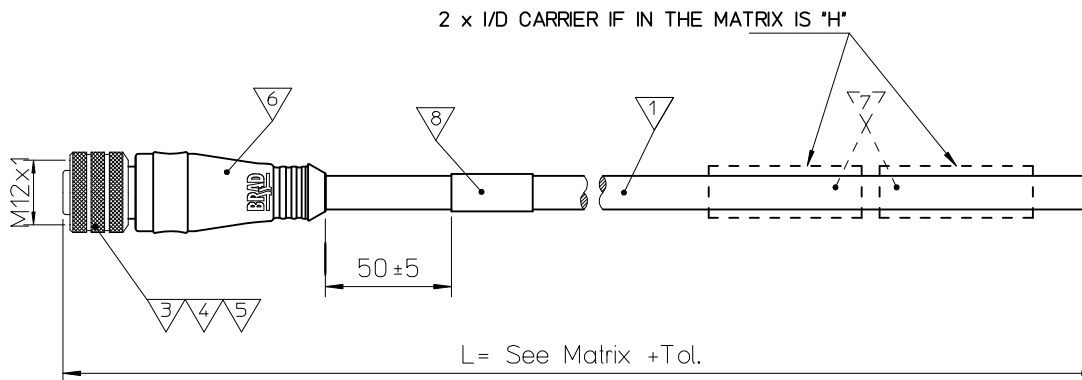
Over	Up to and including	Tolerance (+)
0	305	+19
305	915	+45
915	1830	+56
1830	3660	+89
3660	7320	+165
7320	14640	+317
14640	30500	+610
30500	>	+2% of length

- OPTIONS
- ▽6 OVERMOULD COLOUR
Blank=Black (Standard)
A=Grey
Y=Yellow
 - ▽3 COUPLING NUT MATERIAL
Blank=Standard
1 = Stainless steel
5 = Delrin
7 = Teflon coat
 - ▽7 ID CARRIER
H=2xID CARRIER

SHIELD CONNECTED TO COUPLING NUT



VIEW FROM THE FRONT SIDE

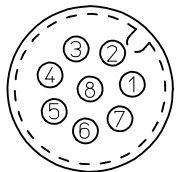


Bill of Materials

ITEM	QTY.	DESCRIPTION	MATERIAL	FINISH
8	1	LABEL	-	-
7	-	ID CARRIER	SEE MATRIX	SEE MATRIX
6	-	MOLDING MATERIAL	SEE MATRIX	SEE MATRIX
5	1	O-RING	FPM	RED
4	-	CONTACT FEMALE	SEE MATRIX	SEE MATRIX
3	1	COUPLING NUT FEMALE M12	SEE MATRIX	SEE MATRIX
2	1	INSERT M12 FEMALE	SEE MATRIX	SEE MATRIX
1	-	CABLE	SEE MATRIX	SEE MATRIX

<p>ORIGINAL RELEASE</p> <p>EC NO: IPG2016-0383</p> <p>DRWN:AKONDRAC IUK 2015/09/10</p> <p>CHKD:MMAJGAT 2015/09/10</p> <p>APPR:MIWASIECZKO 2015/09/29</p>	<p>QUALITY SYMBOLS</p> <p>▽=0</p> <p>▽C=0</p>	<p>GENERAL TOLERANCES (UNLESS SPECIFIED)</p>		<p>DIMENSION STYLE</p> <p>MM ONLY</p>		<p>SCALE</p> <p>---</p>	<p>DESIGN UNITS</p> <p>METRIC</p>	<p>THIRD ANGLE PROJECTION</p>																																	
		<table border="1"> <thead> <tr> <th></th> <th>mm</th> <th>INCH</th> </tr> </thead> <tbody> <tr><td>4 PLACES</td><td>± ---</td><td>± ---</td></tr> <tr><td>3 PLACES</td><td>± ---</td><td>± ---</td></tr> <tr><td>2 PLACES</td><td>± ---</td><td>± ---</td></tr> <tr><td>1 PLACE</td><td>± ---</td><td>± ---</td></tr> <tr><td>0 PLACE</td><td>± ---</td><td>± ---</td></tr> </tbody> </table>			mm	INCH	4 PLACES	± ---	± ---	3 PLACES	± ---	± ---	2 PLACES	± ---	± ---	1 PLACE	± ---	± ---	0 PLACE	± ---	± ---	<table border="1"> <thead> <tr> <th>DRAWN BY</th> <th>DATE</th> <th>TITLE</th> </tr> </thead> <tbody> <tr> <td>AKONDRAC IUK</td> <td>2015/09/10</td> <td rowspan="4">MMC-8P-ST-XXX-PUR-SHIELDED</td> </tr> <tr> <td>CHECKED BY</td> <td>DATE</td> </tr> <tr> <td>MMAJGAT</td> <td>2015/09/10</td> </tr> <tr> <td>APPROVED BY</td> <td>DATE</td> </tr> <tr> <td>MIWASIECZKO</td> <td>2015/09/29</td> <td></td> </tr> </tbody> </table>		DRAWN BY	DATE	TITLE	AKONDRAC IUK	2015/09/10	MMC-8P-ST-XXX-PUR-SHIELDED	CHECKED BY	DATE	MMAJGAT	2015/09/10	APPROVED BY	DATE	MIWASIECZKO	2015/09/29		<p>DOCUMENT NO.</p> <p>SD-120069-036</p>		<p>SHEET NO.</p> <p>1 OF 1</p>
			mm	INCH																																					
		4 PLACES	± ---	± ---																																					
3 PLACES	± ---	± ---																																							
2 PLACES	± ---	± ---																																							
1 PLACE	± ---	± ---																																							
0 PLACE	± ---	± ---																																							
DRAWN BY	DATE	TITLE																																							
AKONDRAC IUK	2015/09/10	MMC-8P-ST-XXX-PUR-SHIELDED																																							
CHECKED BY	DATE																																								
MMAJGAT	2015/09/10																																								
APPROVED BY	DATE																																								
MIWASIECZKO	2015/09/29																																								
<p>ANGULAR ± 1 °</p> <p>DRAFT WHERE APPLICABLE MUST REMAIN WITHIN DIMENSIONS</p>		<p>SEE MATRIX</p>		<p>THIS DRAWING CONTAINS INFORMATION THAT IS PROPRIETARY TO MOLEX INCORPORATED AND SHOULD NOT BE USED WITHOUT WRITTEN PERMISSION</p>		<p>SIZE</p> <p>A3</p>																																			

M12 8POLE FEMALE



VIEW FROM THE WIRES SIDE

Pin	Wire color
1	WHITE
2	BROWN
3	GREEN
4	YELLOW
5	GRAY
6	PINK
7	BLUE
8	RED

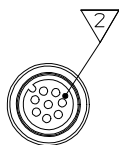
PART No MATRIX

8	0	8	S	0	0	*	*	*	M	*	*	*	*	*
8=Micro Change	0=Portable	8=8 Core	500 = Shielded Female Straight			P19 - Black BRD PUR 0.25mm S19 - Yellow Braided PVC 0.25mm E62 - Gray SHLD PVC 0.25mm			M=Metres F=Feet	LENGTH 020-2 METRES 050-5 METRES 200-20 METRES			OVERMOULD COLOUR Blank=Black (Standard) A=Grey Y=Yellow	

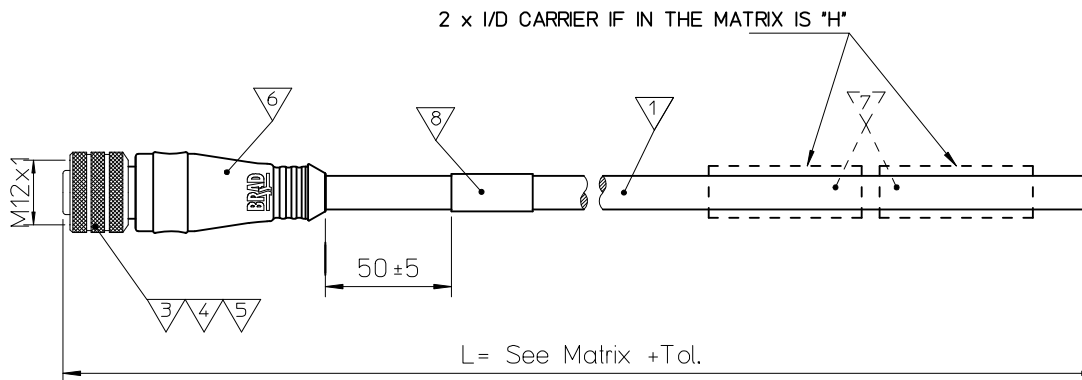
Over	Up to and including	Tolerance (+)
0	305	+19
305	915	+45
915	1830	+56
1830	3660	+89
3660	7320	+165
7320	14640	+317
14640	30500	+610
30500	>	+2% of length

- OPTIONS
- ▽6 OVERMOULD COLOUR
Blank=Black (Standard)
A=Grey
Y=Yellow
 - ▽3 COUPLING NUT MATERIAL
Blank=Standard
1 = Stainless steel
5 = Delrin
7 = Teflon coat
 - ▽7 ID CARRIER
H=2xID CARRIER

SHIELD CONNECTED TO COUPLING NUT



VIEW FROM THE FRONT SIDE



Bill of Materials

ITEM	QTY.	DESCRIPTION	MATERIAL	FINISH
8	1	LABEL	-	-
7	-	ID CARRIER	SEE MATRIX	SEE MATRIX
6	-	MOLDING MATERIAL	SEE MATRIX	SEE MATRIX
5	1	O-RING	FPM	RED
4	-	CONTACT FEMALE	SEE MATRIX	SEE MATRIX
3	1	COUPLING NUT FEMALE M12	SEE MATRIX	SEE MATRIX
2	1	INSERT M12 FEMALE	SEE MATRIX	SEE MATRIX
1	-	CABLE	SEE MATRIX	SEE MATRIX

<p>ORIGINAL RELEASE EC NO: IPG2016-0383 DRWN:AKONDRAC IUK 2015/09/10 CHKD:MMAJGAT 2015/09/10 APPR:MIWASIECZKO 2015/09/29</p>	<p>QUALITY SYMBOLS ▽=0 ◻=0</p>	<p>GENERAL TOLERANCES (UNLESS SPECIFIED)</p>		<p>DIMENSION STYLE MM ONLY</p>		<p>SCALE ---</p>	<p>DESIGN UNITS METRIC</p>	<p>THIRD ANGLE PROJECTION</p>		
		<p>4 PLACES ± --- ± ---</p>	<p>3 PLACES ± --- ± ---</p>	<p>DRAWN BY AKONDRAC IUK</p>	<p>DATE 2015/09/10</p>	<p>TITLE MMC-8P-ST-XXX-PUR-SHIELDED</p>				
		<p>2 PLACES ± --- ± ---</p>	<p>1 PLACE ± --- ± ---</p>	<p>CHECKED BY MMAJGAT</p>	<p>DATE 2015/09/10</p>	<p>MOLEX</p>				
		<p>0 PLACE ± --- ± ---</p>	<p>ANGULAR ± 1 °</p>	<p>APPROVED BY MIWASIECZKO</p>	<p>DATE 2015/09/29</p>	<p>MATERIAL NO. SEE MATRIX</p>	<p>DOCUMENT NO. SD-120069-036</p>	<p>SHEET NO. 1 OF 1</p>		