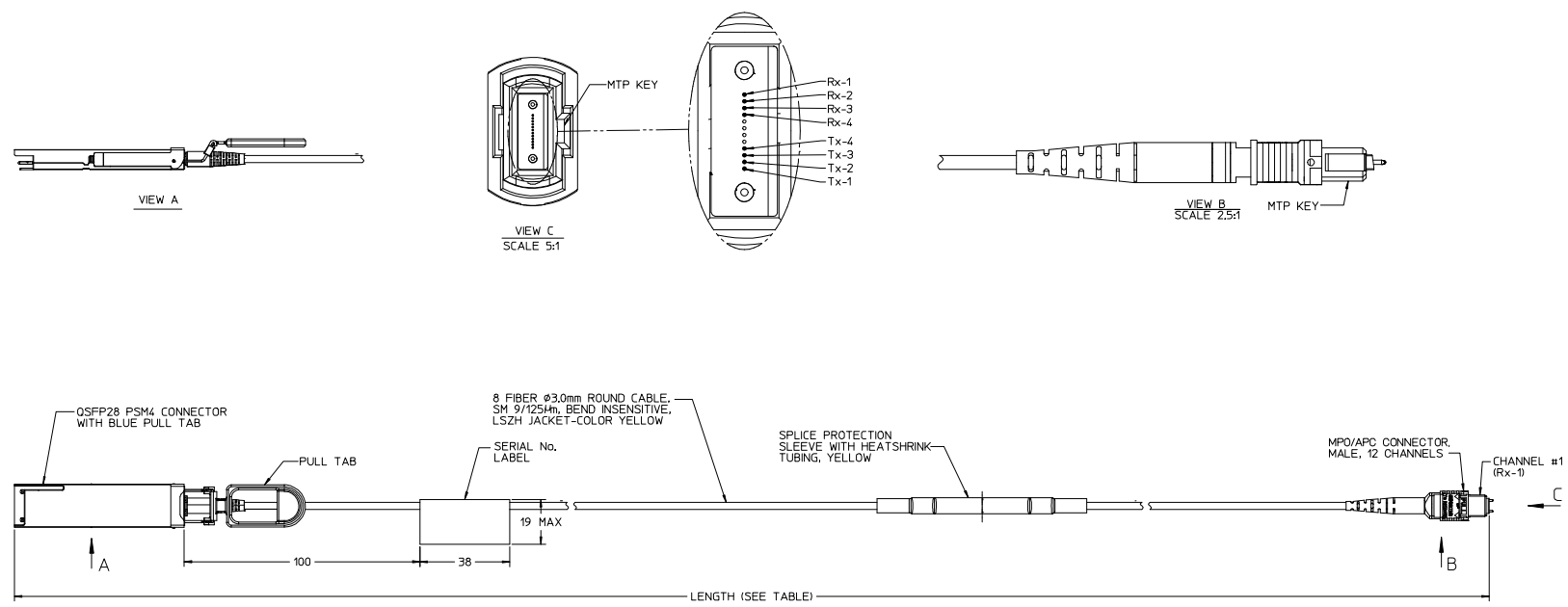


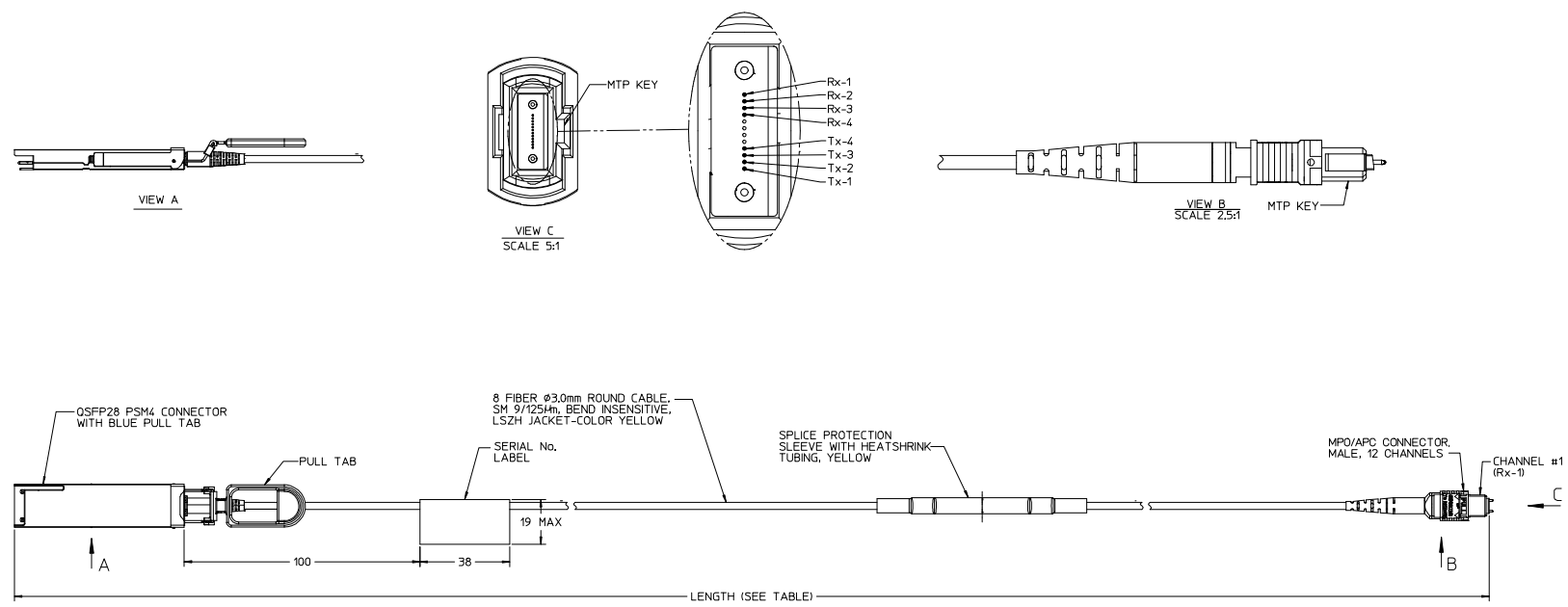
MOLEX P/N	LENGTH (METERS)	TOLERANCE (METERS)
106422-0001	1	+0.05/-0.0
106422-0002	2	+0.05/-0.0
106422-0003	3	+0.1/-0.0
106422-0004	4	+0.1/-0.0
106422-0005	5	+0.15/-0.0
106422-0006	6	+0.15/-0.0
106422-0007	7	+0.2/-0.0
106422-0008	8	+0.2/-0.0
106422-0009	9	+0.2/-0.0
106422-0010	10	+0.25/-0.0
106422-0011	11	+0.25/-0.0
106422-0012	12	+0.25/-0.0
106422-0013	13	+0.25/-0.0
106422-0014	14	+0.25/-0.0
106422-0015	15	+0.25/-0.0
106422-0016	16	+0.25/-0.0
106422-0017	17	+0.25/-0.0
106422-0018	18	+0.25/-0.0
106422-0019	19	+0.25/-0.0
106422-0020	20	+0.30/-0.0
106422-0021	21	+0.30/-0.0
106422-0022	22	+0.30/-0.0
106422-0023	23	+0.30/-0.0
106422-0024	24	+0.30/-0.0
106422-0025	25	+0.30/-0.0
106422-0026	26	+0.30/-0.0
106422-0027	27	+0.30/-0.0
106422-0028	28	+0.30/-0.0
106422-0030	30	+0.30/-0.0
106422-1400	2.5	+0.05/-0.0
106422-0050	0.5	+0.05/-0.0
106422-0112	0.305	+0.05/-0.0



- NOTES:
- DUST CAPS ARE NOT SHOWN BUT INCLUDED.
 - FOR PACKAGING AND LABELING REFER TO SPECIFICATION ES106422-0000
 - FOR EEPROM MAP, REFER TO ENGINEERING SPECIFICATION, ES-106422-0001

ENTER DESCRIPTION IEC NO: MF2017-0304 DRAWN BY: DRWN:MAGHAYERE 2017/05/18 CHKD: CHYK: APPR: LGUMIN 2017/05/23	QUALITY SYMBOLS	GENERAL TOLERANCES (UNLESS SPECIFIED)	DIMENSION STYLE	SCALE	DESIGN UNITS	THIRD ANGLE PROJECTION																		
	$\nabla=0$ $\nabla=0$	<table border="1"> <thead> <tr> <th></th> <th>mm</th> <th>INCH</th> </tr> </thead> <tbody> <tr><td>4 PLACES</td><td>±---</td><td>±---</td></tr> <tr><td>3 PLACES</td><td>±---</td><td>±---</td></tr> <tr><td>2 PLACES</td><td>±---</td><td>±---</td></tr> <tr><td>1 PLACE</td><td>±---</td><td>±---</td></tr> <tr><td>0 PLACE</td><td>±---</td><td>±---</td></tr> </tbody> </table>		mm	INCH	4 PLACES	±---	±---	3 PLACES	±---	±---	2 PLACES	±---	±---	1 PLACE	±---	±---	0 PLACE	±---	±---	MM ONLY	1:1	METRIC	
		mm	INCH																					
	4 PLACES	±---	±---																					
3 PLACES	±---	±---																						
2 PLACES	±---	±---																						
1 PLACE	±---	±---																						
0 PLACE	±---	±---																						
DRAFT WHERE APPLICABLE MUST REMAIN WITHIN DIMENSIONS	ANGULAR ±1/2° DRAFT WHERE APPLICABLE MUST REMAIN WITHIN DIMENSIONS	DRAWN BY: MAGHAYERE DATE: 2015/10/13 CHECKED BY: _____ DATE: _____ APPROVED BY: LGUMIN DATE: 2016/09/13	MATERIAL NO: SEE TABLE	TITLE: 100G QSFP28 PSM4-MPO/APC JUMPER, SM, 8F RIBBON	DOCUMENT NO: SD-106422-0001	SHEET NO: 1 OF 1																		
THIS DRAWING CONTAINS INFORMATION THAT IS PROPRIETARY TO MOLEX INCORPORATED AND SHOULD NOT BE USED WITHOUT WRITTEN PERMISSION																								

MOLEX P/N	LENGTH (METERS)	TOLERANCE (METERS)
106422-0001	1	+0.05/-0.0
106422-0002	2	+0.05/-0.0
106422-0003	3	+0.1/-0.0
106422-0004	4	+0.1/-0.0
106422-0005	5	+0.15/-0.0
106422-0006	6	+0.15/-0.0
106422-0007	7	+0.2/-0.0
106422-0008	8	+0.2/-0.0
106422-0009	9	+0.2/-0.0
106422-0010	10	+0.25/-0.0
106422-0011	11	+0.25/-0.0
106422-0012	12	+0.25/-0.0
106422-0013	13	+0.25/-0.0
106422-0014	14	+0.25/-0.0
106422-0015	15	+0.25/-0.0
106422-0016	16	+0.25/-0.0
106422-0017	17	+0.25/-0.0
106422-0018	18	+0.25/-0.0
106422-0019	19	+0.25/-0.0
106422-0020	20	+0.30/-0.0
106422-0021	21	+0.30/-0.0
106422-0022	22	+0.30/-0.0
106422-0023	23	+0.30/-0.0
106422-0024	24	+0.30/-0.0
106422-0025	25	+0.30/-0.0
106422-0026	26	+0.30/-0.0
106422-0027	27	+0.30/-0.0
106422-0028	28	+0.30/-0.0
106422-0030	30	+0.30/-0.0
106422-1400	2.5	+0.05/-0.0
106422-0050	0.5	+0.05/-0.0
106422-0112	0.305	+0.05/-0.0



- NOTES:
- DUST CAPS ARE NOT SHOWN BUT INCLUDED.
 - FOR PACKAGING AND LABELING REFER TO SPECIFICATION ES106422-0000
 - FOR EEPROM MAP, REFER TO ENGINEERING SPECIFICATION, ES-106422-0001

ENTER DESCRIPTION IEC NO: MF2017-0304 DRAWN BY: DRWN:MAGHAYERE 2017/05/18 CHKD: CHYK: APPR: LGUMIN 2017/05/23	QUALITY SYMBOLS	GENERAL TOLERANCES (UNLESS SPECIFIED)	DIMENSION STYLE	SCALE	DESIGN UNITS	THIRD ANGLE PROJECTION																		
	$\nabla=0$ $\nabla=0$	<table border="1"> <thead> <tr> <th></th> <th>mm</th> <th>INCH</th> </tr> </thead> <tbody> <tr><td>4 PLACES</td><td>±---</td><td>±---</td></tr> <tr><td>3 PLACES</td><td>±---</td><td>±---</td></tr> <tr><td>2 PLACES</td><td>±---</td><td>±---</td></tr> <tr><td>1 PLACE</td><td>±---</td><td>±---</td></tr> <tr><td>0 PLACE</td><td>±---</td><td>±---</td></tr> </tbody> </table>		mm	INCH	4 PLACES	±---	±---	3 PLACES	±---	±---	2 PLACES	±---	±---	1 PLACE	±---	±---	0 PLACE	±---	±---	MM ONLY	1:1	METRIC	
		mm	INCH																					
	4 PLACES	±---	±---																					
3 PLACES	±---	±---																						
2 PLACES	±---	±---																						
1 PLACE	±---	±---																						
0 PLACE	±---	±---																						
DRAFT WHERE APPLICABLE MUST REMAIN WITHIN DIMENSIONS	ANGULAR ±1/2° MATERIAL NO. SEE TABLE DATE 2016/09/13	DRAWN BY: MAGHAYERE DATE: 2015/10/13 CHECKED BY: DATE:	TITLE: 100G QSFP28 PSM4-MPO/APC JUMPER, SM, 8F RIBBON	DOCUMENT NO. SD-106422-0001	SHEET NO. 1 OF 1																			
THIS DRAWING CONTAINS INFORMATION THAT IS PROPRIETARY TO MOLEX INCORPORATED AND SHOULD NOT BE USED WITHOUT WRITTEN PERMISSION																								