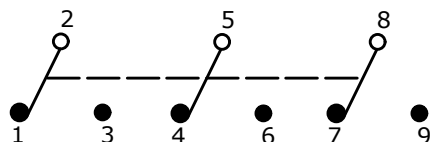
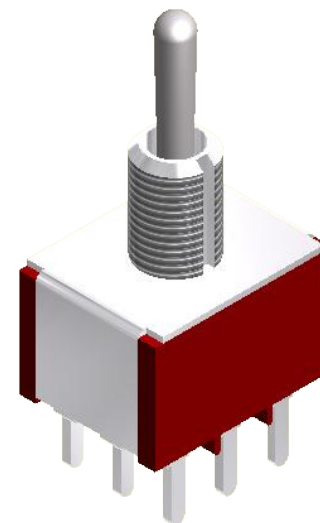
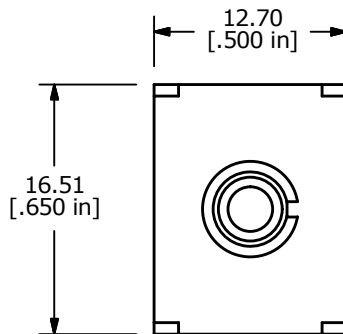


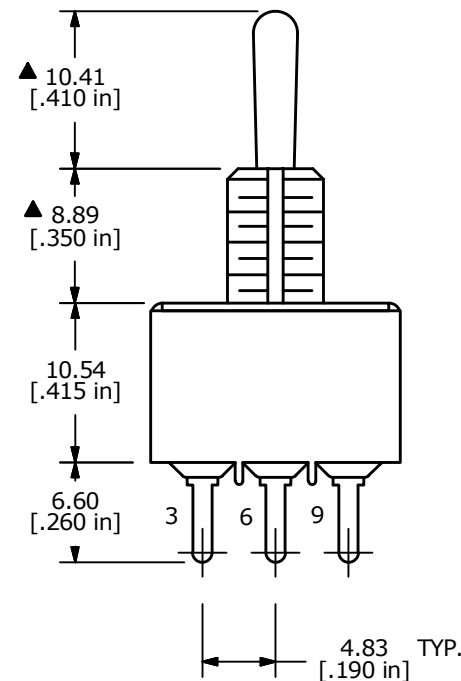
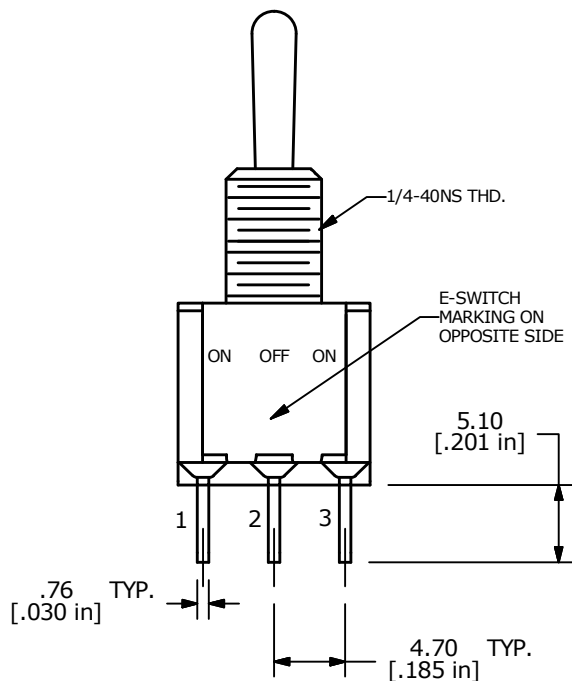
SWITCH FUNCTION		
POS. 1	POS. 2	POS. 3
ON	OFF	ON
2-3, 5-6, 8-9	OPEN	2-1, 5-4, 8-7



CIRCUI: 3PDT

NOTE:

1. ALL DIMENSIONS IN MM [INCH]
2. GENERAL TOLERANCE: X.X=±0.4
X.XX=±0.25
3. TERMINAL NUMBERS FOR REF ONLY
- ▲4. PLATING MATERIAL: GOLD
5. RATING: .4VA @ 20V MAX, AC OR DC
6. ELECTRIC LIFE: 40,000 make-and-break cycles at full load.
7. INSULATION RESISTANCE: 1,000 Mega-ohm min.
8. DIELECTRIC STRENGTH: 1,000 V RMS @sea level.
9. OPERATING TEMP.: -30°C to 85°C
10. ▲ DENOTES CRITICAL PARAMETER.
11. HARDWARE TO BE SHIPPED BULK:
T100000 HEX NUT - QTY 2
T100015 LOCK RING-QTY 1
T100011 LOCK WASHER-QTY 1
12. 2011/65/EU (RoHS) COMPLIANT



B	23199	UPDATED TERMINAL DIMENSIONS	2/5/18	MJR
A	16228	RELEASED FOR PRODUCTION	7/13/06	RC
REV	PCR NO	DESCRIPTION	DATE	BY

TITLE 1003P3T1B1M2REH				
SCALE 2:1	DATE 7/13/2006	DR RC	DWG ST133007	REV B

THE INFORMATION CONTAINED IN THIS DOCUMENT IS PROPRIETARY TO E-SWITCH AND IS NOT TO BE COPIED OR TRANSFERRED