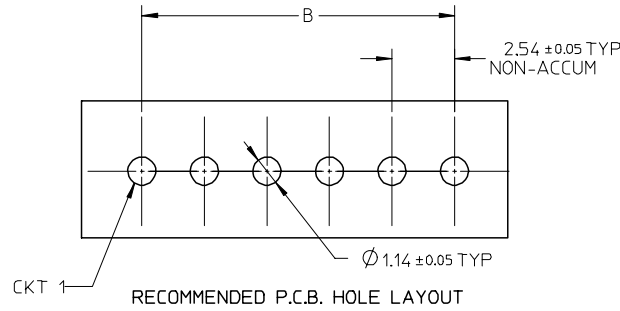
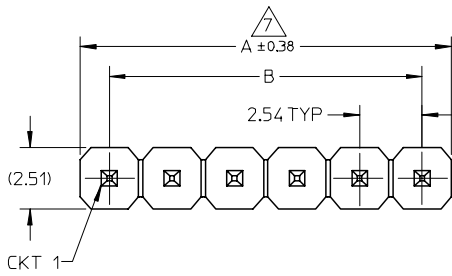


10 9 8 7 6 5 4 3 2 1

F

F

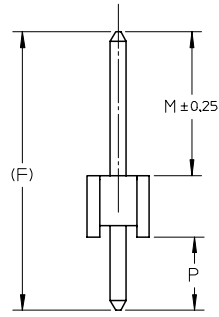
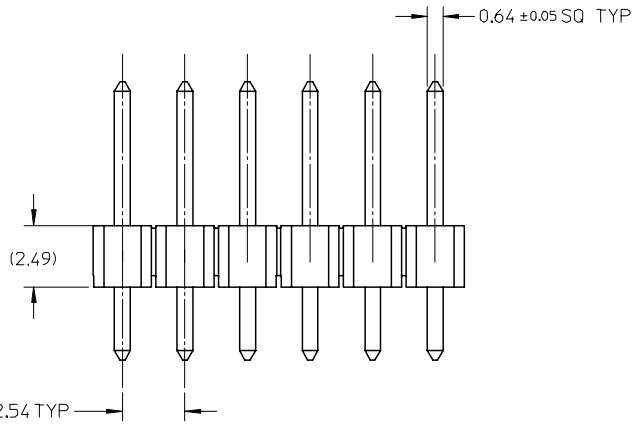


NOTES

1. MATERIAL:
 - HSG: NYLON, GLASS-FILLED, UL94V-0 COLOR: BLACK
 - PIN: 0.64MM SQ, COPPER ALLOY
2. PLATING TYPE:
 - (1) GOLD FLASH OVER
1.270µm MIN. NICKEL OVERALL.
 - (2) GOLD FLASH ON CONTACT AND
1.905µm MIN. TIN ON SOLDER TAIL OVER
1.270µm MIN. NICKEL OVERALL.
 - (3) 0.254µm MIN. GOLD PLATE ON CONTACT AND
1.905µm MIN. TIN ON SOLDER TAIL OVER
1.270µm MIN. NICKEL OVERALL.
 - (4) 0.381µm MIN. GOLD PLATE ON CONTACT AND
1.905µm MIN. TIN ON SOLDER TAIL OVER
1.270µm MIN. NICKEL OVERALL.
 - (5) 0.762µm MIN. GOLD PLATE ON CONTACT AND
1.905µm MIN. TIN ON SOLDER TAIL OVER
1.270µm MIN. NICKEL OVERALL.
 - (6) 2.540µm/100µm MIN TIN OVERALL
1.270µm/50µm NICKEL OVERALL
3. PRODUCT SPECIFICATION: PS-87920-019
4. PACKAGING TYPE: SEE TABLE
5. WAFER TO BE FLAT WITHIN 0.003 mm/mm
6. RECOMMENDED PCB THICKNESS IS 1.60mm±0.10
- △ IRREGULAR CIRCUIT CUTOFF WITHIN BREAKAWAY SECTION IS PERMISSIBLE. CUTTING OR CHIPPING OF THE MAIN BODY IS NOT ACCEPTABLE
8. THE ABOVE CKT 6 IS FOR ILLUSTRATION PURPOSE ONLY
9. PACKAGING SPECIFICATION:
 - TRAY: PK-89990-489
 - BULK: PK-89990-491

E

E



D

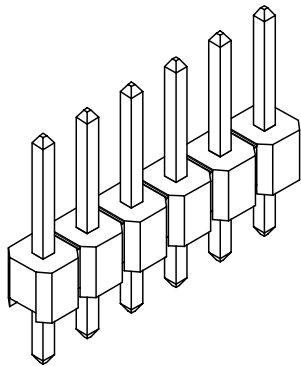
D

C

C

B

B



A

A

EWR# 1023 EC NO: S2007-0289 DRWN:SKL/M01 CHKD:C/LAM APPR:K/LEE 2006/09/29 2006/09/29 2006/09/30	QUALITY SYMBOLS	GENERAL TOLERANCES (UNLESS SPECIFIED)	DIMENSION STYLE	SCALE	DESIGN UNITS	THIRD ANGLE PROJECTION
	▽=0 ∇=0	mm INCH	MM ONLY	NTS	METRIC	
		4 PLACES ± --- ± ---	DRAWN BY DATE			CUSTOM HEADER 2.54MM PITCH, SINGLE ROW SINGLE WAFER, T/H HEADER
		3 PLACES ± --- ± ---	YLQ1A0 2004/11/17			
	2 PLACES ± 0.20 ± ---	CHECKED BY DATE			MOLEX INCORPORATED	
	1 PLACE ± --- ± ---	PTL IM 2004/12/01				
	ANGULAR ± 3 °	APPROVED BY DATE				
		SCLOW 2004/12/06				
		MATERIAL NO.				
			SEE TABLE		SD-87891-013	SHEET NO. 1 OF 8
		DRAFT WHERE APPLICABLE MUST REMAIN WITHIN DIMENSIONS				
			SIZE A3			

9 8 7 6 5 4 3 2 1

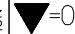
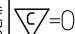
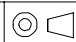
PACKAGING OPTION PART NO.										PACKAGING OPTION PART NO.											
TRAY	BULK	TUBE WITHOUT CAP	CKT SIZE	VOID POSITION	PLATING TYPE	DIMENSION					TRAY	BULK	TUBE WITHOUT CAP	CKT SIZE	VOID POSITION	PLATING TYPE	DIMENSION				
						A	B	F	M	P							A	B	F	M	P
87891-0101	-----	-----	1	-----	1	2.54	----	11.30	5.84	2.97	87891-0401	-----	-----	4	-----	1	10.16	7.62	11.30	5.84	2.97
87891-0102	-----	-----	1	-----	2	2.54	----	11.30	5.84	2.97	87891-0412	-----	-----	4	-----	2	10.16	7.62	11.30	5.84	2.97
87891-0103	-----	-----	1	-----	3	2.54	----	11.30	5.84	2.97	87891-0403	-----	-----	4	-----	3	10.16	7.62	11.30	5.84	2.97
87891-0104	-----	-----	1	-----	4	2.54	----	11.30	5.84	2.97	87891-0404	-----	-----	4	-----	4	10.16	7.62	11.30	5.84	2.97
87891-0105	-----	-----	1	-----	5	2.54	----	11.30	5.84	2.97	87891-0405	-----	-----	4	-----	5	10.16	7.62	11.30	5.84	2.97
87891-0106	-----	-----	1	-----	6	2.54	----	11.30	5.84	2.97	87891-0406	-----	-----	4	-----	6	10.16	7.62	11.30	5.84	2.97
87891-0201	-----	-----	2	-----	1	5.08	2.54	11.30	5.84	2.97	87891-0511	-----	-----	5	-----	1	12.70	10.16	11.30	5.84	2.97
87891-0202	-----	-----	2	-----	2	5.08	2.54	11.30	5.84	2.97	87891-0512	-----	-----	5	-----	2	12.70	10.16	11.30	5.84	2.97
87891-0203	-----	-----	2	-----	3	5.08	2.54	11.30	5.84	2.97	87891-0513	-----	-----	5	-----	3	12.70	10.16	11.30	5.84	2.97
87891-0204	-----	-----	2	-----	4	5.08	2.54	11.30	5.84	2.97	87891-0514	-----	-----	5	-----	4	12.70	10.16	11.30	5.84	2.97
87891-0205	-----	-----	2	-----	5	5.08	2.54	11.30	5.84	2.97	87891-0515	-----	-----	5	-----	5	12.70	10.16	11.30	5.84	2.97
87891-0206	-----	-----	2	-----	6	5.08	2.54	11.30	5.84	2.97	87891-0506	-----	-----	5	-----	6	12.70	10.16	11.30	5.84	2.97
87891-0301	-----	-----	3	-----	1	7.62	5.08	11.30	5.84	2.97	87891-0601	-----	-----	6	-----	1	15.24	12.70	11.30	5.84	2.97
87891-0302	-----	-----	3	-----	2	7.62	5.08	11.30	5.84	2.97	87891-0612	-----	-----	6	-----	2	15.24	12.70	11.30	5.84	2.97
87891-0303	-----	-----	3	-----	3	7.62	5.08	11.30	5.84	2.97	87891-0603	-----	-----	6	-----	3	15.24	12.70	11.30	5.84	2.97
87891-0304	-----	-----	3	-----	4	7.62	5.08	11.30	5.84	2.97	87891-0604	-----	-----	6	-----	4	15.24	12.70	11.30	5.84	2.97
87891-0305	-----	-----	3	-----	5	7.62	5.08	11.30	5.84	2.97	87891-0605	-----	-----	6	-----	5	15.24	12.70	11.30	5.84	2.97
87891-0306	-----	-----	3	-----	6	7.62	5.08	11.30	5.84	2.97	87891-0606	-----	-----	6	-----	6	15.24	12.70	11.30	5.84	2.97

EWR# 1023 EC NO: S2007-0289 DRWNS:KLI M01 2006/09/29 CHKD:CWJAM 2006/09/29 APPR:KWLEE 2006/09/30	QUALITY SYMBOLS =0 =0	GENERAL TOLERANCES (UNLESS SPECIFIED) <table border="1"> <tr><th></th><th>mm</th><th>INCH</th></tr> <tr><td>4 PLACES</td><td>± ---</td><td>± ---</td></tr> <tr><td>3 PLACES</td><td>± ---</td><td>± ---</td></tr> <tr><td>2 PLACES</td><td>± 0.20</td><td>± ---</td></tr> <tr><td>1 PLACE</td><td>± ---</td><td>± ---</td></tr> </table>		mm	INCH	4 PLACES	± ---	± ---	3 PLACES	± ---	± ---	2 PLACES	± 0.20	± ---	1 PLACE	± ---	± ---	DIMENSION STYLE MM ONLY	SCALE NTS	DESIGN UNITS METRIC	THIRD ANGLE PROJECTION
			mm	INCH																	
		4 PLACES	± ---	± ---																	
		3 PLACES	± ---	± ---																	
2 PLACES	± 0.20	± ---																			
1 PLACE	± ---	± ---																			
DRAWN BY YLQ1A0	DATE 2004/11/17	TITLE CUSTOM HEADER 2.54MM PITCH, SINGLE ROW SINGLE WAFER, T/H HEADER																			
CHECKED BY PTL IM	DATE 2004/12/01	MOLEX INCORPORATED																			
APPROVED BY SCLOW	DATE 2004/12/06	MATERIAL NO. SEE TABLE	DOCUMENT NO. SD-87891-013	SHEET NO. 2 OF 8																	

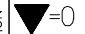
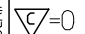
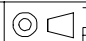
PACKAGING OPTION PART NO.		CKT SIZE	VOID POSITION	PLATING TYPE	DIMENSION					PACKAGING OPTION PART NO.		CKT SIZE	VOID POSITION	PLATING TYPE	DIMENSION							
TRAY	BULK				TUBE WITHOUT CAP	A	B	F	M	P	TRAY				BULK	TUBE WITHOUT CAP	A	B	F	M	P	
F	87891-0711	-----	-----	7	----	1	17.78	15.24	11.30	5.84	2.97	87891-1001	-----	-----	10	----	1	25.40	22.86	11.30	5.84	2.97
	87891-0702	-----	-----	7	----	2	17.78	15.24	11.30	5.84	2.97	87891-1002	-----	-----	10	----	2	25.40	22.86	11.30	5.84	2.97
	87891-0703	-----	-----	7	----	3	17.78	15.24	11.30	5.84	2.97	87891-1003	-----	-----	10	----	3	25.40	22.86	11.30	5.84	2.97
	87891-0704	-----	-----	7	----	4	17.78	15.24	11.30	5.84	2.97	87891-1004	-----	-----	10	----	4	25.40	22.86	11.30	5.84	2.97
	87891-0705	-----	-----	7	----	5	17.78	15.24	11.30	5.84	2.97	87891-1005	-----	-----	10	----	5	25.40	22.86	11.30	5.84	2.97
	87891-0706	-----	-----	7	----	6	17.78	15.24	11.30	5.84	2.97	87891-1006	-----	-----	10	----	6	25.40	22.86	11.30	5.84	2.97
E																						
	87891-0801	-----	-----	8	----	1	20.32	17.78	11.30	5.84	2.97	87891-1101	-----	-----	11	----	1	27.94	25.40	11.30	5.84	2.97
	87891-0802	-----	-----	8	----	2	20.32	17.78	11.30	5.84	2.97	87891-1102	-----	-----	11	----	2	27.94	25.40	11.30	5.84	2.97
	87891-0803	-----	-----	8	----	3	20.32	17.78	11.30	5.84	2.97	87891-1103	-----	-----	11	----	3	27.94	25.40	11.30	5.84	2.97
	87891-0804	-----	-----	8	----	4	20.32	17.78	11.30	5.84	2.97	87891-1104	-----	-----	11	----	4	27.94	25.40	11.30	5.84	2.97
D	87891-0805	-----	-----	8	----	5	20.32	17.78	11.30	5.84	2.97	87891-1105	-----	-----	11	----	5	27.94	25.40	11.30	5.84	2.97
	87891-0806	-----	-----	8	----	6	20.32	17.78	11.30	5.84	2.97	87891-1106	-----	-----	11	----	6	27.94	25.40	11.30	5.84	2.97
	87891-0901	-----	-----	9	----	1	22.86	20.32	11.30	5.84	2.97	87891-1201	-----	-----	12	----	1	30.48	27.94	11.30	5.84	2.97
	87891-0902	-----	-----	9	----	2	22.86	20.32	11.30	5.84	2.97	87891-1202	-----	-----	12	----	2	30.48	27.94	11.30	5.84	2.97
C	87891-0903	-----	-----	9	----	3	22.86	20.32	11.30	5.84	2.97	87891-1203	-----	-----	12	----	3	30.48	27.94	11.30	5.84	2.97
	87891-0904	-----	-----	9	----	4	22.86	20.32	11.30	5.84	2.97	87891-1204	-----	-----	12	----	4	30.48	27.94	11.30	5.84	2.97
	87891-0905	-----	-----	9	----	5	22.86	20.32	11.30	5.84	2.97	87891-1205	-----	-----	12	----	5	30.48	27.94	11.30	5.84	2.97
	87891-0906	-----	-----	9	----	6	22.86	20.32	11.30	5.84	2.97	87891-1206	-----	-----	12	----	6	30.48	27.94	11.30	5.84	2.97
B																						

EWB# 1023 EC NO: S2007-0289 DRWNS:KLI M01 2006/09/29 CHKD:CWJAM 2006/09/29 APPR:KWLEE 2006/09/30	QUALITY SYMBOLS =0 =0	GENERAL TOLERANCES (UNLESS SPECIFIED)		DIMENSION STYLE MM ONLY		SCALE NTS	DESIGN UNITS METRIC	THIRD ANGLE PROJECTION			
		4 PLACES ± --- ± --- 3 PLACES ± --- ± --- 2 PLACES ± 0.20 ± --- 1 PLACE ± --- ± ---	mm INCH	DRAWN BY YLQ1A0	DATE 2004/11/17	TITLE CUSTOM HEADER 2.54MM PITCH, SINGLE ROW SINGLE WAFER, T/H HEADER					
		ANGULAR ± 3 °		CHECKED BY PTL IM	DATE 2004/12/01						
		DRAFT WHERE APPLICABLE MUST REMAIN WITHIN DIMENSIONS		APPROVED BY SCLOW	DATE 2004/12/06	MATERIAL NO. SEE TABLE		DOCUMENT NO. SD-87891-013		SHEET NO. 3 OF 8	

PACKAGING OPTION PART NO.										PACKAGING OPTION PART NO.											
TRAY	BULK	TUBE WITHOUT CAP	CKT SIZE	VOID POSITION	PLATING TYPE	DIMENSION					TRAY	BULK	TUBE WITHOUT CAP	CKT SIZE	VOID POSITION	PLATING TYPE	DIMENSION				
						A	B	F	M	P							A	B	F	M	P
87891-1301	-----	-----	13	-----	1	33.02	30.48	11.30	5.84	2.97	87891-1601	-----	-----	16	-----	1	40.64	38.10	11.30	5.84	2.97
87891-1302	-----	-----	13	-----	2	33.02	30.48	11.30	5.84	2.97	87891-1602	-----	-----	16	-----	2	40.64	38.10	11.30	5.84	2.97
87891-1303	-----	-----	13	-----	3	33.02	30.48	11.30	5.84	2.97	87891-1603	-----	-----	16	-----	3	40.64	38.10	11.30	5.84	2.97
87891-1304	-----	-----	13	-----	4	33.02	30.48	11.30	5.84	2.97	87891-1604	-----	-----	16	-----	4	40.64	38.10	11.30	5.84	2.97
87891-1305	-----	-----	13	-----	5	33.02	30.48	11.30	5.84	2.97	87891-1605	-----	-----	16	-----	5	40.64	38.10	11.30	5.84	2.97
87891-1306	-----	-----	13	-----	6	33.02	30.48	11.30	5.84	2.97	87891-1606	-----	-----	16	-----	6	40.64	38.10	11.30	5.84	2.97
87891-1401	-----	-----	14	-----	1	35.56	33.02	11.30	5.84	2.97	87891-1701	-----	-----	17	-----	1	43.18	40.64	11.30	5.84	2.97
87891-1402	-----	-----	14	-----	2	35.56	33.02	11.30	5.84	2.97	87891-1702	-----	-----	17	-----	2	43.18	40.64	11.30	5.84	2.97
87891-1403	-----	-----	14	-----	3	35.56	33.02	11.30	5.84	2.97	87891-1703	-----	-----	17	-----	3	43.18	40.64	11.30	5.84	2.97
87891-1404	-----	-----	14	-----	4	35.56	33.02	11.30	5.84	2.97	87891-1704	-----	-----	17	-----	4	43.18	40.64	11.30	5.84	2.97
87891-1405	-----	-----	14	-----	5	35.56	33.02	11.30	5.84	2.97	87891-1705	-----	-----	17	-----	5	43.18	40.64	11.30	5.84	2.97
87891-1406	-----	-----	14	-----	6	35.56	33.02	11.30	5.84	2.97	87891-1706	-----	-----	17	-----	6	43.18	40.64	11.30	5.84	2.97
87891-1501	-----	-----	15	-----	1	38.10	35.56	11.30	5.84	2.97	87891-1801	-----	-----	18	-----	1	45.72	43.18	11.30	5.84	2.97
87891-1502	-----	-----	15	-----	2	38.10	35.56	11.30	5.84	2.97	87891-1802	-----	-----	18	-----	2	45.72	43.18	11.30	5.84	2.97
87891-1503	-----	-----	15	-----	3	38.10	35.56	11.30	5.84	2.97	87891-1803	-----	-----	18	-----	3	45.72	43.18	11.30	5.84	2.97
87891-1504	-----	-----	15	-----	4	38.10	35.56	11.30	5.84	2.97	87891-1804	-----	-----	18	-----	4	45.72	43.18	11.30	5.84	2.97
87891-1505	-----	-----	15	-----	5	38.10	35.56	11.30	5.84	2.97	87891-1805	-----	-----	18	-----	5	45.72	43.18	11.30	5.84	2.97
87891-1506	-----	-----	15	-----	6	38.10	35.56	11.30	5.84	2.97	87891-1806	-----	-----	18	-----	6	45.72	43.18	11.30	5.84	2.97

QUALITY SYMBOLS  = 0  = 0.20	GENERAL TOLERANCES (UNLESS SPECIFIED) <table border="1"> <tr><th colspan="2">mm</th><th colspan="2">INCH</th></tr> <tr><td>4 PLACES</td><td>± ---</td><td>± ---</td><td>± ---</td></tr> <tr><td>3 PLACES</td><td>± ---</td><td>± ---</td><td>± ---</td></tr> <tr><td>2 PLACES</td><td>± 0.20</td><td>± ---</td><td>± ---</td></tr> <tr><td>1 PLACE</td><td>± ---</td><td>± ---</td><td>± ---</td></tr> </table>	mm		INCH		4 PLACES	± ---	± ---	± ---	3 PLACES	± ---	± ---	± ---	2 PLACES	± 0.20	± ---	± ---	1 PLACE	± ---	± ---	± ---	DIMENSION STYLE MM ONLY	SCALE NTS	DESIGN UNITS METRIC	 THIRD ANGLE PROJECTION	DRAWN BY YLQIAO DATE 2004/11/17 CHECKED BY DATE PTL IM 2004/12/01 APPROVED BY DATE SCLOW 2004/12/06	TITLE CUSTOM HEADER 2.54MM PITCH, SINGLE ROW SINGLE WAFER, T/H HEADER
		mm		INCH																							
		4 PLACES	± ---	± ---	± ---																						
		3 PLACES	± ---	± ---	± ---																						
2 PLACES	± 0.20	± ---	± ---																								
1 PLACE	± ---	± ---	± ---																								
DRAFT WHERE APPLICABLE MUST REMAIN WITHIN DIMENSIONS	MATERIAL NO. SEE TABLE	DOCUMENT NO. SD-87891-013	SHEET NO. 4 OF 8																								
THIS DRAWING CONTAINS INFORMATION THAT IS PROPRIETARY TO MOLEX INCORPORATED AND SHOULD NOT BE USED WITHOUT WRITTEN PERMISSION																											
MOLEX INCORPORATED																											

PACKAGING OPTION PART NO.		CKT SIZE	VOID POSITION	PLATING TYPE	DIMENSION					PACKAGING OPTION PART NO.		CKT SIZE	VOID POSITION	PLATING TYPE	DIMENSION								
TRAY	BULK				TUBE WITHOUT CAP	A	B	F	M	P	TRAY				BULK	TUBE WITHOUT CAP	A	B	F	M	P		
F	87891-1901	-----	-----	19	----	1	48.26	45.72	11.30	5.84	2.97	87891-2201	-----	-----	22	----	1	55.88	53.34	11.30	5.84	2.97	F
	87891-1902	-----	-----	19	----	2	48.26	45.72	11.30	5.84	2.97	87891-2202	-----	-----	22	----	2	55.88	53.34	11.30	5.84	2.97	
	87891-1903	-----	-----	19	----	3	48.26	45.72	11.30	5.84	2.97	87891-2203	-----	-----	22	----	3	55.88	53.34	11.30	5.84	2.97	
	87891-1904	-----	-----	19	----	4	48.26	45.72	11.30	5.84	2.97	87891-2204	-----	-----	22	----	4	55.88	53.34	11.30	5.84	2.97	
	87891-1905	-----	-----	19	----	5	48.26	45.72	11.30	5.84	2.97	87891-2205	-----	-----	22	----	5	55.88	53.34	11.30	5.84	2.97	
	87891-1906	-----	-----	19	----	6	48.26	45.72	11.30	5.84	2.97	87891-2206	-----	-----	22	----	6	55.88	53.34	11.30	5.84	2.97	
E																							E
	87891-2001	-----	-----	20	----	1	50.80	48.26	11.30	5.84	2.97	87891-2301	-----	-----	23	----	1	58.42	55.88	11.30	5.84	2.97	
	87891-2002	-----	-----	20	----	2	50.80	48.26	11.30	5.84	2.97	87891-2302	-----	-----	23	----	2	58.42	55.88	11.30	5.84	2.97	
	87891-2003	-----	-----	20	----	3	50.80	48.26	11.30	5.84	2.97	87891-2303	-----	-----	23	----	3	58.42	55.88	11.30	5.84	2.97	
	87891-2004	-----	-----	20	----	4	50.80	48.26	11.30	5.84	2.97	87891-2304	-----	-----	23	----	4	58.42	55.88	11.30	5.84	2.97	
D	87891-2005	-----	-----	20	----	5	50.80	48.26	11.30	5.84	2.97	87891-2305	-----	-----	23	----	5	58.42	55.88	11.30	5.84	2.97	D
	87891-2006	-----	-----	20	----	6	50.80	48.26	11.30	5.84	2.97	87891-2306	-----	-----	23	----	6	58.42	55.88	11.30	5.84	2.97	
	87891-2101	-----	-----	21	----	1	53.34	50.80	11.30	5.84	2.97	87891-2401	-----	-----	24	----	1	60.96	58.42	11.30	5.84	2.97	
	87891-2102	-----	-----	21	----	2	53.34	50.80	11.30	5.84	2.97	87891-2402	-----	-----	24	----	2	60.96	58.42	11.30	5.84	2.97	
C	87891-2103	-----	-----	21	----	3	53.34	50.80	11.30	5.84	2.97	87891-2403	-----	-----	24	----	3	60.96	58.42	11.30	5.84	2.97	C
	87891-2104	-----	-----	21	----	4	53.34	50.80	11.30	5.84	2.97	87891-2404	-----	-----	24	----	4	60.96	58.42	11.30	5.84	2.97	
	87891-2105	-----	-----	21	----	5	53.34	50.80	11.30	5.84	2.97	87891-2405	-----	-----	24	----	5	60.96	58.42	11.30	5.84	2.97	
	87891-2106	-----	-----	21	----	6	53.34	50.80	11.30	5.84	2.97	87891-2406	-----	-----	24	----	6	60.96	58.42	11.30	5.84	2.97	
B																							B

EWB# 1023 EC NO: S2007-0289 DRWNS:SKLIM01 2006/09/29 CHKD:CWLAM 2006/09/29 APPR:KWLEE 2006/09/30	QUALITY SYMBOLS  = 0  = 0.20	GENERAL TOLERANCES (UNLESS SPECIFIED)		DIMENSION STYLE MM ONLY		SCALE NTS	DESIGN UNITS METRIC	 THIRD ANGLE PROJECTION	
		4 PLACES ± --- ± --- 3 PLACES ± --- ± --- 2 PLACES ± 0.20 ± --- 1 PLACE ± --- ± ---	mm INCH	DRAWN BY YLQ1A0	DATE 2004/11/17	TITLE CUSTOM HEADER 2.54MM PITCH, SINGLE ROW SINGLE WAFER, T/H HEADER			
		ANGULAR ± 3 °		CHECKED BY PTL IM	DATE 2004/12/01	MOLEX INCORPORATED			
		DRAFT WHERE APPLICABLE MUST REMAIN WITHIN DIMENSIONS		APPROVED BY SCLOW	DATE 2004/12/06	MATERIAL NO. SEE TABLE	DOCUMENT NO. SD-87891-013		
				SHEET NO. 5 OF 8					

PACKAGING OPTION PART NO.		CKT SIZE	VOID POSITION	PLATING TYPE	DIMENSION					PACKAGING OPTION PART NO.		CKT SIZE	VOID POSITION	PLATING TYPE	DIMENSION							
TRAY	BULK				TUBE WITHOUT CAP	A	B	F	M	P	TRAY				BULK	TUBE WITHOUT CAP	A	B	F	M	P	
F	87891-2501	-----	-----	25	----	1	63.50	60.96	11.30	5.84	2.97	-----	87891-2801	-----	28	----	1	71.12	68.58	11.30	5.84	2.97
	87891-2502	-----	-----	25	----	2	63.50	60.96	11.30	5.84	2.97	-----	87891-2802	-----	28	----	2	71.12	68.58	11.30	5.84	2.97
	87891-2503	-----	-----	25	----	3	63.50	60.96	11.30	5.84	2.97	-----	87891-2803	-----	28	----	3	71.12	68.58	11.30	5.84	2.97
	87891-2504	-----	-----	25	----	4	63.50	60.96	11.30	5.84	2.97	-----	87891-2804	-----	28	----	4	71.12	68.58	11.30	5.84	2.97
	87891-2505	-----	-----	25	----	5	63.50	60.96	11.30	5.84	2.97	-----	87891-2805	-----	28	----	5	71.12	68.58	11.30	5.84	2.97
	87891-2506	-----	-----	25	----	6	63.50	60.96	11.30	5.84	2.97	-----	87891-2806	-----	28	----	6	71.12	68.58	11.30	5.84	2.97
E																						
	-----	87891-2611	-----	26	----	1	66.04	63.50	11.30	5.84	2.97	-----	87891-2901	-----	29	----	1	73.66	71.12	11.30	5.84	2.97
	-----	87891-2602	-----	26	----	2	66.04	63.50	11.30	5.84	2.97	-----	87891-2902	-----	29	----	2	73.66	71.12	11.30	5.84	2.97
	-----	87891-2603	-----	26	----	3	66.04	63.50	11.30	5.84	2.97	-----	87891-2903	-----	29	----	3	73.66	71.12	11.30	5.84	2.97
	-----	87891-2604	-----	26	----	4	66.04	63.50	11.30	5.84	2.97	-----	87891-2904	-----	29	----	4	73.66	71.12	11.30	5.84	2.97
D	-----	87891-2605	-----	26	----	5	66.04	63.50	11.30	5.84	2.97	-----	87891-2905	-----	29	----	5	73.66	71.12	11.30	5.84	2.97
	-----	87891-2606	-----	26	----	6	66.04	63.50	11.30	5.84	2.97	-----	87891-2906	-----	29	----	6	73.66	71.12	11.30	5.84	2.97
	-----	87891-2701	-----	27	----	1	68.58	66.04	11.30	5.84	2.97	-----	87891-3001	-----	30	----	1	76.20	73.66	11.30	5.84	2.97
	-----	87891-2702	-----	27	----	2	68.58	66.04	11.30	5.84	2.97	-----	87891-3002	-----	30	----	2	76.20	73.66	11.30	5.84	2.97
C	-----	87891-2703	-----	27	----	3	68.58	66.04	11.30	5.84	2.97	-----	87891-3003	-----	30	----	3	76.20	73.66	11.30	5.84	2.97
	-----	87891-2704	-----	27	----	4	68.58	66.04	11.30	5.84	2.97	-----	87891-3004	-----	30	----	4	76.20	73.66	11.30	5.84	2.97
	-----	87891-2705	-----	27	----	5	68.58	66.04	11.30	5.84	2.97	-----	87891-3005	-----	30	----	5	76.20	73.66	11.30	5.84	2.97
	-----	87891-2706	-----	27	----	6	68.58	66.04	11.30	5.84	2.97	-----	87891-3006	-----	30	----	6	76.20	73.66	11.30	5.84	2.97
B																						

EWR# 1023 EC NO: S2007-0289 DRWNS:KLI M01 2006/09/29 CHKD:CWJAM 2006/09/29 APPR:KWLEE 2006/09/30	QUALITY SYMBOLS =0 =0	GENERAL TOLERANCES (UNLESS SPECIFIED)		DIMENSION STYLE MM ONLY		SCALE NTS	DESIGN UNITS METRIC	THIRD ANGLE PROJECTION			
		4 PLACES ± --- ± --- 3 PLACES ± --- ± --- 2 PLACES ± 0.20 ± --- 1 PLACE ± --- ± ---	mm INCH	DRAWN BY YLQ1A0	DATE 2004/11/17	TITLE CUSTOM HEADER 2.54MM PITCH, SINGLE ROW SINGLE WAFER, T/H HEADER					
		ANGULAR ± 3 °		APPROVED BY SCLW	DATE 2004/12/06	MOLEX INCORPORATED					
		DRAFT WHERE APPLICABLE MUST REMAIN WITHIN DIMENSIONS		MATERIAL NO. SEE TABLE		DOCUMENT NO. SD-87891-013		SHEET NO. 6 OF 8			

PACKAGING OPTION PART NO.		CKT SIZE	VOID POSITION	PLATING TYPE	DIMENSION					PACKAGING OPTION PART NO.		CKT SIZE	VOID POSITION	PLATING TYPE	DIMENSION								
TRAY	BULK				TUBE WITHOUT CAP	A	B	F	M	P	TRAY				BULK	TUBE WITHOUT CAP	A	B	F	M	P		
F	-----	87891-3101	-----	31	-----	1	78.74	76.20	11.30	5.84	2.97	-----	87891-3401	-----	34	-----	1	86.36	83.82	11.30	5.84	2.97	F
	-----	87891-3102	-----	31	-----	2	78.74	76.20	11.30	5.84	2.97	-----	87891-3402	-----	34	-----	2	86.36	83.82	11.30	5.84	2.97	
	-----	87891-3103	-----	31	-----	3	78.74	76.20	11.30	5.84	2.97	-----	87891-3403	-----	34	-----	3	86.36	83.82	11.30	5.84	2.97	
	-----	87891-3104	-----	31	-----	4	78.74	76.20	11.30	5.84	2.97	-----	87891-3404	-----	34	-----	4	86.36	83.82	11.30	5.84	2.97	
	-----	87891-3105	-----	31	-----	5	78.74	76.20	11.30	5.84	2.97	-----	87891-3405	-----	34	-----	5	86.36	83.82	11.30	5.84	2.97	
	-----	87891-3106	-----	31	-----	6	78.74	76.20	11.30	5.84	2.97	-----	87891-3406	-----	34	-----	6	86.36	83.82	11.30	5.84	2.97	
E																							E
	-----	87891-3201	-----	32	-----	1	81.28	78.74	11.30	5.84	2.97	-----	87891-3501	-----	35	-----	1	88.90	86.36	11.30	5.84	2.97	
	-----	87891-3202	-----	32	-----	2	81.28	78.74	11.30	5.84	2.97	-----	87891-3502	-----	35	-----	2	88.90	86.36	11.30	5.84	2.97	
	-----	87891-3203	-----	32	-----	3	81.28	78.74	11.30	5.84	2.97	-----	87891-3503	-----	35	-----	3	88.90	86.36	11.30	5.84	2.97	
	-----	87891-3204	-----	32	-----	4	81.28	78.74	11.30	5.84	2.97	-----	87891-3504	-----	35	-----	4	88.90	86.36	11.30	5.84	2.97	
D	-----	87891-3205	-----	32	-----	5	81.28	78.74	11.30	5.84	2.97	-----	87891-3505	-----	35	-----	5	88.90	86.36	11.30	5.84	2.97	D
	-----	87891-3206	-----	32	-----	6	81.28	78.74	11.30	5.84	2.97	-----	87891-3506	-----	35	-----	6	88.90	86.36	11.30	5.84	2.97	
	-----	87891-3301	-----	33	-----	1	83.82	81.28	11.30	5.84	2.97	-----	87891-3611	-----	36	-----	1	91.44	88.90	11.30	5.84	2.97	
	-----	87891-3302	-----	33	-----	2	83.82	81.28	11.30	5.84	2.97	-----	87891-3602	-----	36	-----	2	91.44	88.90	11.30	5.84	2.97	
C	-----	87891-3303	-----	33	-----	3	83.82	81.28	11.30	5.84	2.97	-----	87891-3603	-----	36	-----	3	91.44	88.90	11.30	5.84	2.97	C
	-----	87891-3304	-----	33	-----	4	83.82	81.28	11.30	5.84	2.97	-----	87891-3604	-----	36	-----	4	91.44	88.90	11.30	5.84	2.97	
	-----	87891-3305	-----	33	-----	5	83.82	81.28	11.30	5.84	2.97	-----	87891-3605	-----	36	-----	5	91.44	88.90	11.30	5.84	2.97	
	-----	87891-3306	-----	33	-----	6	83.82	81.28	11.30	5.84	2.97	-----	87891-3606	-----	36	-----	6	91.44	88.90	11.30	5.84	2.97	
B																							B

EWB# 1023 EC NO: S2007-0289 DRWNS:KLI M01 2006/09/29 CHKD:CWJAM 2006/09/29 APPR:KWLEE 2006/09/30	QUALITY SYMBOLS =0 =0	GENERAL TOLERANCES (UNLESS SPECIFIED)		DIMENSION STYLE MM ONLY		SCALE NTS	DESIGN UNITS METRIC	THIRD ANGLE PROJECTION			
		4 PLACES ± --- ± --- 3 PLACES ± --- ± --- 2 PLACES ± 0.20 ± --- 1 PLACE ± --- ± ---	mm INCH	DRAWN BY YLQIAO	DATE 2004/11/17	TITLE CUSTOM HEADER 2.54MM PITCH, SINGLE ROW SINGLE WAFER, T/H HEADER					
		ANGULAR ± 3 °		CHECKED BY PTL IM	DATE 2004/12/01	MOLEX INCORPORATED					
		DRAFT WHERE APPLICABLE MUST REMAIN WITHIN DIMENSIONS		APPROVED BY SCLOW	DATE 2004/12/06	MATERIAL NO. SEE TABLE	DOCUMENT NO. SD-87891-013	SHEET NO. 7 OF 8			

PACKAGING OPTION PART NO.										PACKAGING OPTION PART NO.												
TRAY	BULK	TUBE WITHOUT CAP	CKT SIZE	VOID POSITION	PLATING TYPE	DIMENSION					TRAY	BULK	TUBE WITHOUT CAP	CKT SIZE	VOID POSITION	PLATING TYPE	DIMENSION					
						A	B	F	M	P							A	B	F	M	P	
F	-----	87891-3701	-----	37	----	1	93.98	91.44	11.30	5.84	2.97	-----	87891-4001	-----	40	----	1	101.60	99.06	11.30	5.84	2.97
	-----	87891-3702	-----	37	----	2	93.98	91.44	11.30	5.84	2.97	-----	87891-4002	-----	40	----	2	101.60	99.06	11.30	5.84	2.97
	-----	87891-3703	-----	37	----	3	93.98	91.44	11.30	5.84	2.97	-----	87891-4003	-----	40	----	3	101.60	99.06	11.30	5.84	2.97
	-----	87891-3704	-----	37	----	4	93.98	91.44	11.30	5.84	2.97	-----	87891-4004	-----	40	----	4	101.60	99.06	11.30	5.84	2.97
	-----	87891-3705	-----	37	----	5	93.98	91.44	11.30	5.84	2.97	-----	87891-4005	-----	40	----	5	101.60	99.06	11.30	5.84	2.97
	-----	87891-3706	-----	37	----	6	93.98	91.44	11.30	5.84	2.97	-----	87891-4006	-----	40	----	6	101.60	99.06	11.30	5.84	2.97
E																						
	-----	87891-3801	-----	38	----	1	96.52	93.98	11.30	5.84	2.97											
	-----	87891-3802	-----	38	----	2	96.52	93.98	11.30	5.84	2.97											
	-----	87891-3803	-----	38	----	3	96.52	93.98	11.30	5.84	2.97											
	-----	87891-3804	-----	38	----	4	96.52	93.98	11.30	5.84	2.97											
D	-----	87891-3805	-----	38	----	5	96.52	93.98	11.30	5.84	2.97											
	-----	87891-3806	-----	38	----	6	96.52	93.98	11.30	5.84	2.97											
	-----	87891-3901	-----	39	----	1	99.06	96.52	11.30	5.84	2.97											
	-----	87891-3902	-----	39	----	2	99.06	96.52	11.30	5.84	2.97											
C	-----	87891-3903	-----	39	----	3	99.06	96.52	11.30	5.84	2.97											
	-----	87891-3904	-----	39	----	4	99.06	96.52	11.30	5.84	2.97											
	-----	87891-3905	-----	39	----	5	99.06	96.52	11.30	5.84	2.97											
	-----	87891-3906	-----	39	----	6	99.06	96.52	11.30	5.84	2.97											
B																						

EWB# 1023 EC NO: S2007-0289 DRWNS:KLI M01 CHKD:CWAM APPR:KWLEE 2006/09/29 2006/09/29 2006/09/30	QUALITY SYMBOLS =0 =0	GENERAL TOLERANCES (UNLESS SPECIFIED)		DIMENSION STYLE MM ONLY		SCALE NTS	DESIGN UNITS METRIC	THIRD ANGLE PROJECTION	
		4 PLACES ± --- ± --- 3 PLACES ± --- ± --- 2 PLACES ± 0.20 ± --- 1 PLACE ± --- ± ---		DRAWN BY DATE YLQ1A0 2004/11/17		TITLE CUSTOM HEADER 2.54MM PITCH, SINGLE ROW SINGLE WAFER, T/H HEADER			
		ANGULAR ± 3 °		CHECKED BY DATE PTL IM 2004/12/01		MOLEX INCORPORATED			
		DRAFT WHERE APPLICABLE MUST REMAIN WITHIN DIMENSIONS		APPROVED BY DATE SCLOW 2004/12/06		MATERIAL NO. SEE TABLE		DOCUMENT NO. SD-87891-013	