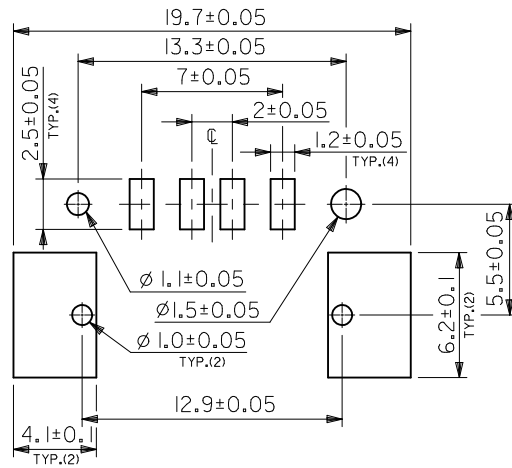
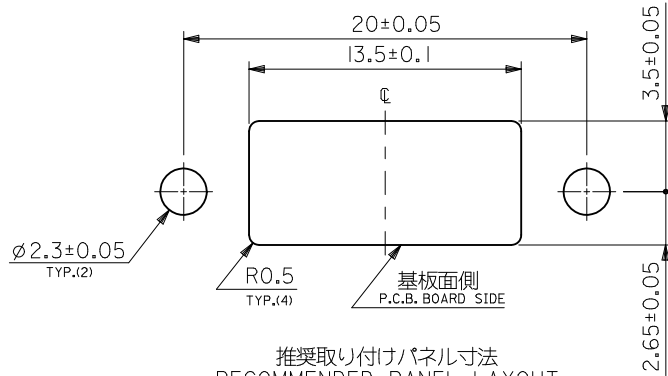


REVISED EC NO: J2011-0208 DRWN: TENAGASE 2010/08/06 CH'KD: CHIKANO 2010/08/06 APPR: MYAGI 2010/09/03	GENERAL TOLERANCES (UNLESS SPECIFIED)		DIMENSION STYLE <b>MM ONLY</b>	SCALE ---	DESIGN UNITS METRIC	THIRD ANGLE PROJECTION
	10 UNDER	$\pm 0.2$	DRAWN BY DATE	TITLE USB I/O CONN. (SIDE FLANGE REVERSE SMT TYPE)		
	10 OVER 30 UNDER	$\pm 0.25$	CHECKED BY MSASAO 1997/12/16	MOLEX INCORPORATED		
	30 OVER	$\pm 0.3$	APPROVED BY DATE	MATERIAL NO. 54366-0412	DOCUMENT NO. SD-54366-005	SHEET NO. 1 OF 2
B	DESCRIPTION ANGULAR $\pm 3^\circ$ DRAFT WHERE APPLICABLE MUST REMAIN WITHIN DIMENSIONS	SIZE A3	THIS DRAWING CONTAINS INFORMATION THAT IS PROPRIETARY TO MOLEX INCORPORATED AND SHOULD NOT BE USED WITHOUT WRITTEN PERMISSION			



推奨基板寸法  
RECOMMENDED PCB LAYOUT



推奨取り付けパネル寸法  
RECOMMENDED PANEL LAYOUT

注記  
NOTES:

- 材質  
MATERIAL  
ハウジング: PA(ホリアミド)、ガラス充填  
白色、UL94V-0  
HOUSING : PA(POLYNONAMETHYLENE TEREPHTHALAMIDE)  
,GLASS FILLED,WHITE,UL94V-0  
ターミナル: 燐青銅 (t=0.3)  
TERMINAL : PHOSHOR BRONZE(t=0.3)  
シェル : 黄銅 (t=0.4)  
SHELL : BRASS(t=0.4)
- メッキ仕様  
PLATING  
ターミナル  
TERMINAL  
接点部: 金メッキ 最小0.75マイクロメートル  
CONTACT AREA: GOLD 0.75MICROMETER MINIMUM  
半田付け部: 半田メッキ 最小3マイクロメートル  
SOLDER TAIL AREA: TIN-LEAD 3MICROMETER MINIMUM  
下地メッキ: ニッケルメッキ 最小1.25マイクロメートル  
UNDER PLATING: NICKEL 1.25MICROMETER MINIMUM  
シェル: 半田メッキ 最小2.5マイクロメートル  
SHELL: TIN-LEAD 2.5MICROMETER MINIMUM  
下地メッキ: ニッケルメッキ 最小2マイクロメートル  
UNDER PLATING: NICKEL 2MICROMETER MINIMUM
- テール平坦度は、最大0.1ミリメートル  
TAIL COPLANARITY TO BE 0.1MMAXIMUM

REVISED EC NO: J2011-0208 DRWN: TENAGASE 2010/08/06 CHKD: CHIKANO 2010/08/06 APPR: MYAGI 2010/09/03	DESCRIPTION REV	GENERAL TOLERANCES (UNLESS SPECIFIED)		DIMENSION STYLE MM ONLY	SCALE ---	DESIGN UNITS METRIC	THIRD ANGLE PROJECTION
		10 UNDER	±0.2	DRAWN BY	DATE	TITLE	USB I/O CONN. (SIDE FLANGE REVERSE SMT TYPE)
		10 OVER 30 UNDER	±0.25	CHECKED BY	DATE	MOLEX MOLEX INCORPORATED	
		30 OVER	±0.3	APPROVED BY	DATE		
ANGULAR ±3 ° DRAFT WHERE APPLICABLE MUST REMAIN WITHIN DIMENSIONS		MATERIAL NO. 54366-0412	DOCUMENT NO. SD-54366-005	SHEET NO. 2 OF 2	THIS DRAWING CONTAINS INFORMATION THAT IS PROPRIETARY TO MOLEX INCORPORATED AND SHOULD NOT BE USED WITHOUT WRITTEN PERMISSION		