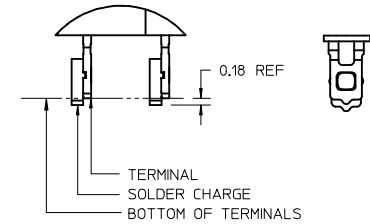


NOTES:

- HOUSING MATERIAL: LIQUID CRYSTAL POLYMER, GLASS FILLED, UL 94V-0, BLACK  
CONTACT MATERIAL: HIGH PERFORMANCE COPPER ALLOY  
SOLDER NAIL MATL: STAINLESS STEEL  
SOLDER CHARGE MATL: 63% TIN, 37% LEAD
- FINISH:  
CONTACT AREA: 0.76 MICROMETER (30 MICROINCH) MINIMUM GOLD  
TAIL AREA: 2.54 MICROMETER (100 MICROINCH) MINIMUM 90/10 TIN-LEAD  
ENTIRE TERMINAL: NICKEL UNDERPLATE
- PRODUCT SPEC: PS-45802-001
- COSMETIC SPEC, PS-45499-002 CLASS B
- PACKAGING SPEC: PK-45830-001 MOLEX STANDARD TRAYS
- DATUM -C- IS THE CENTERLINE OF THE 2 END SLOTS. END SLOT CENTERLINES ARE ESTABLISHED USING 2 MEASUREMENTS FOR EACH SLOT TAKEN 7.28 EITHER SIDE OF DATUM -B-.
- THERE ARE 13 CIRCUITS PER ROW

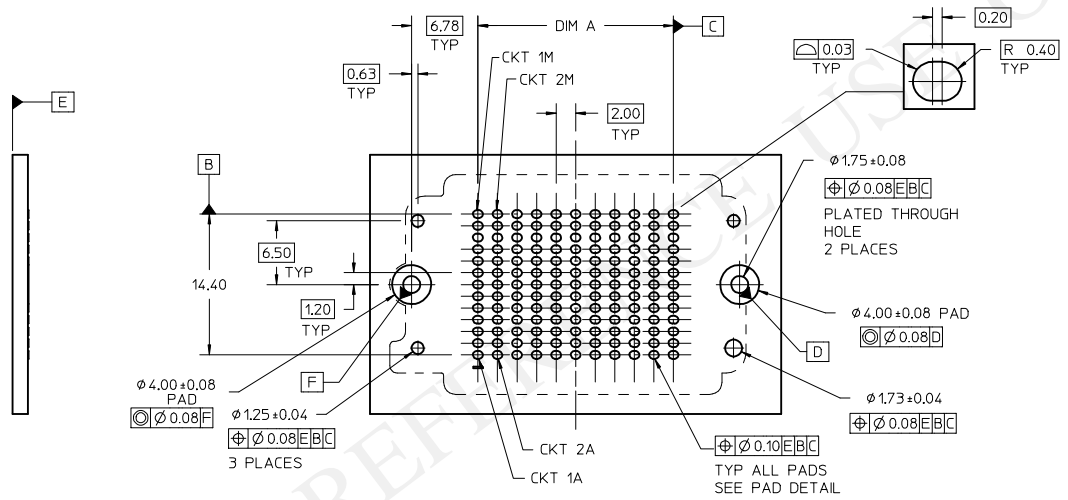
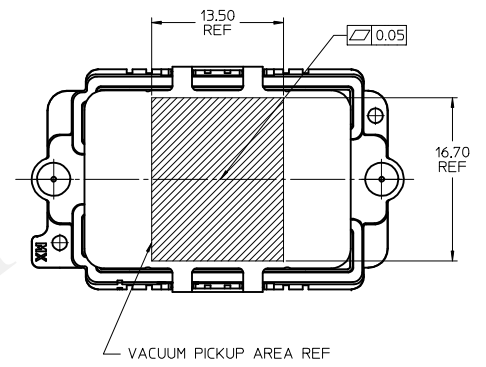
DETAIL 1  
SCALE 8:1



INITIAL RELEASE EC NO: UCP2016-2554 DRWN: TIBARRA 2015/12/21 CHKD: BBARKER 2015/12/21 APPR: TIBARRA 2016/01/27	QUALITY SYMBOLS ▽=0 ▽=0 ▽=0	GENERAL TOLERANCES (UNLESS SPECIFIED)		DIMENSION STYLE MM ONLY		SCALE 2:1	DESIGN UNITS METRIC	THIRD ANGLE PROJECTION			
			mm	INCH	DRAWN BY TIBARRA	DATE 2015/12/21	HIGH DENSITY MEZZANINE PLUG ASSEMBLY TIN-LEAD TAILS, CHARGES				
		4 PLACES	± ---	± ---	CHECKED BY BBARKER	DATE 2015/12/21					
		3 PLACES	± 0.05	± ---	APPROVED BY TIBARRA		DATE 2016/01/27	molex			
2 PLACES	± 0.15	± ---	MATERIAL NO. SEE TABLE		DOCUMENT NO. RSD-45830-0001	SHEET NO. 1 OF 2					
1 PLACE	± 0.3	± ---	ANGULAR ±1/2° DRAFT WHERE APPLICABLE MUST REMAIN WITHIN DIMENSIONS							THIS DRAWING CONTAINS INFORMATION THAT IS PROPRIETARY TO MOLEX INCORPORATED AND SHOULD NOT BE USED WITHOUT WRITTEN PERMISSION	
0 PLACE	±	±									

TIN / LEAD PARTS  
LEAD CODE = "0"

STACK HEIGHT:	8mm	9mm	10mm	11mm	12mm	13mm	14mm	15mm	17mm	18mm	
DIM B	10.41	11.41	12.41	13.41	14.41	15.41	16.41	17.41	19.41	20.41	
DIM C	8.80	9.80	10.80	11.80	12.80	13.80	14.80	15.80	17.80	18.80	
ROWS	DIM A	DIM D	MATERIAL NO	MATERIAL NO	MATERIAL NO	MATERIAL NO	MATERIAL NO	MATERIAL NO	MATERIAL NO	MATERIAL NO	MATERIAL NO
7	12.00	30.06									
9	16.00	34.06									
11	20.00	38.06			45830-2111						
13	24.00	42.06									
15	28.00	46.06									
17	32.00	50.06									
19	36.00	54.06									
21	40.00	58.06									
23	44.00	62.06									
25	48.00	66.06									
27	52.00	70.06									



RECOMMENDED PCB LAYOUT: COMPONENT SIDE  
PCB THICKNESS: NA

SEE SHEET 1 EC NO: UCP2016-2554 DRWN: TIBARRA 2015/12/21 CHKD: BBARKER 2015/12/21 APPR: TIBARRA 2016/01/27	QUALITY SYMBOLS F=0 F=0 F=0	GENERAL TOLERANCES (UNLESS SPECIFIED)		DIMENSION STYLE MM ONLY		SCALE 2:1	DESIGN UNITS METRIC	THIRD ANGLE PROJECTION		
		mm	INCH	DRAWN BY	DATE	HIGH DENSITY MEZZANINE PLUG ASSEMBLY TIN-LEAD TAILS, CHARGES <b>molex</b> MATERIAL NO. RSD-45830-0001 DOCUMENT NO. SHEET NO. 2 OF 2				
		4 PLACES ± ---	± ---	TIBARRA	2015/12/21					
		3 PLACES ± 0.05	± ---	CHECKED BY	DATE					
2 PLACES ± 0.15	± ---	BBARKER	2015/12/21							
1 PLACE ± 0.3	± ---	APPROVED BY	DATE	THIS DRAWING CONTAINS INFORMATION THAT IS PROPRIETARY TO MOLEX INCORPORATED AND SHOULD NOT BE USED WITHOUT WRITTEN PERMISSION						
0 PLACE ±	±	TIBARRA	2016/01/27							
ANGULAR ± 1/2° DRAFT WHERE APPLICABLE MUST REMAIN WITHIN DIMENSIONS		SEE TABLE								