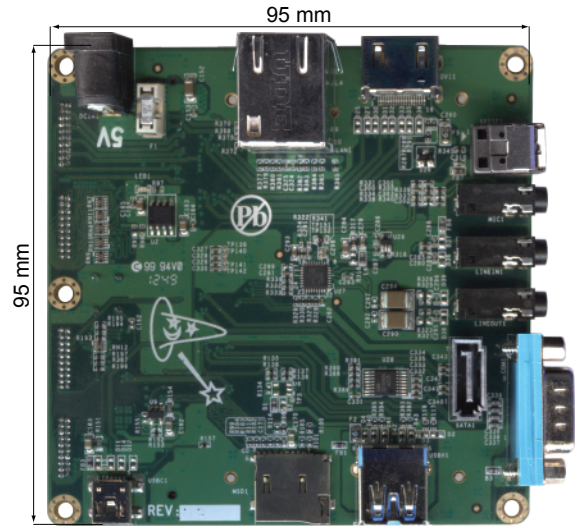


WANDBOARD.ORG



Freescale i.MX6 Cortex-A9
Low cost open source community
Development Board

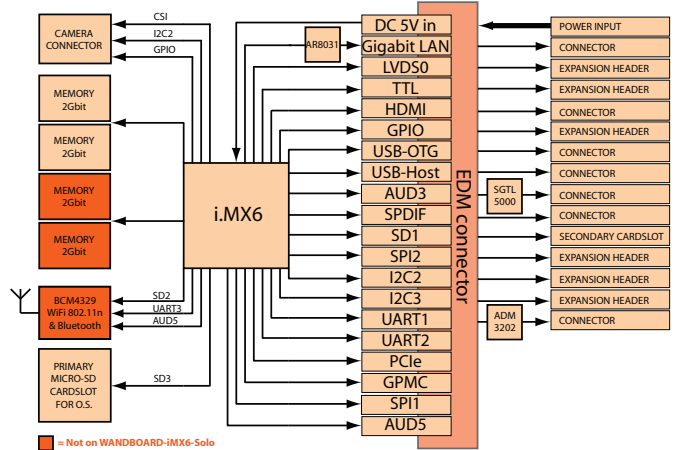
Dimensional drawing



Specifications

	Wandboard Solo	Wandboard Dual	Wandboard Quad
Processor	i.MX6 Solo	i.MX6 DualLite	i.MX6 Quad
Cores	ARM Cortex-A9 Single core @ 1GHz	ARM Cortex-A9 Dual core @ 1GHz	ARM Cortex-A9 Quad core @ 1GHz
Memory	512 MB DDR3	1 GB DDR3	2 GB DDR3
Audio	✓	✓	✓
Optical S/PDIF	✓	✓	✓
HDMI	✓	✓	✓
Camera interface	✓	✓	✓
micro SD cardslot	2	2	2
Serial port	✓	✓	✓
Expansion Header	✓	✓	✓
USB	✓	✓	✓
USB OTG	✓	✓	✓
SATA connector	X	X	✓
Gigabit LAN	✓	✓	✓
WIFI (802.11n)	X	✓	✓
Bluetooth	X	✓	✓

Block diagram



Order information

wbsolo
wbdual
wbquad
wbenclosure
wbantennakit

Wandboard i.MX6 Solo
Wandboard i.MX6 DualLite
Wandboard i.MX6 Quad
Wandboard enclosure
Wandboard antenna kit



Complete Schematics, Source Code and
Documentation can be found on
www.wandboard.org