

H G F E D C B A

4

3

2

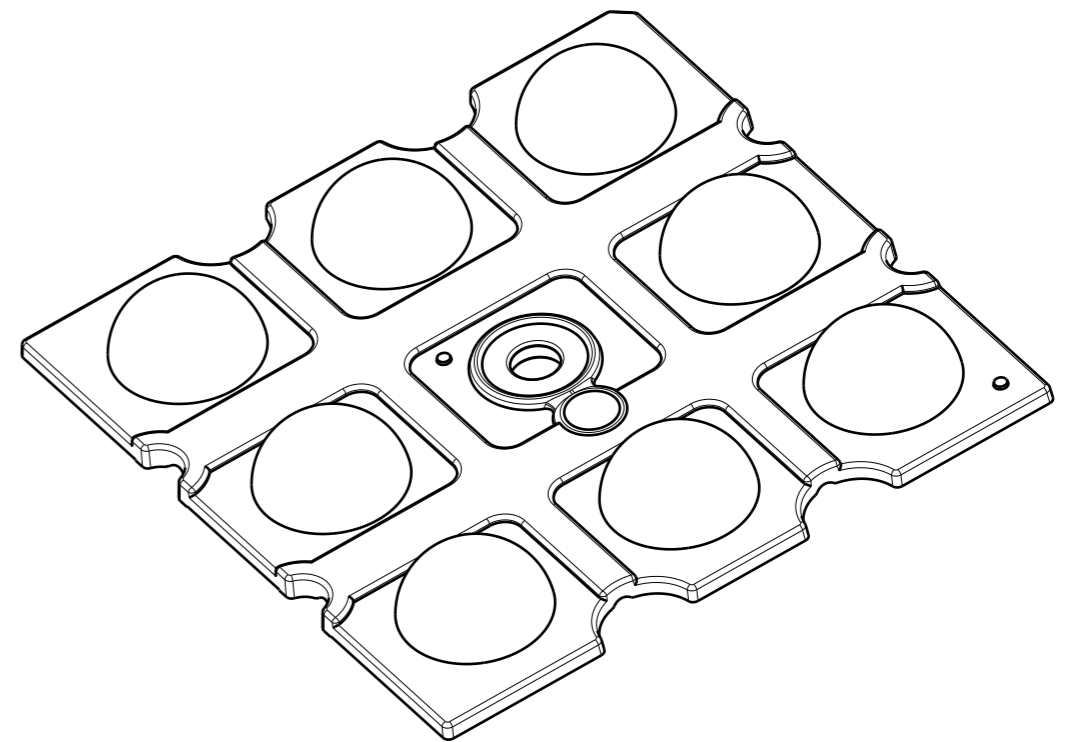
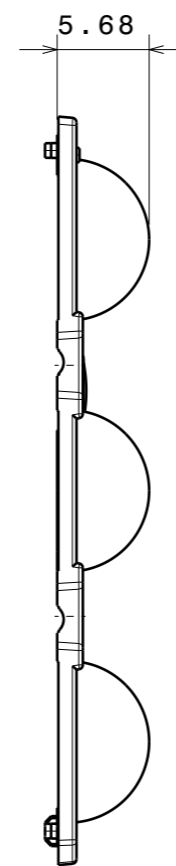
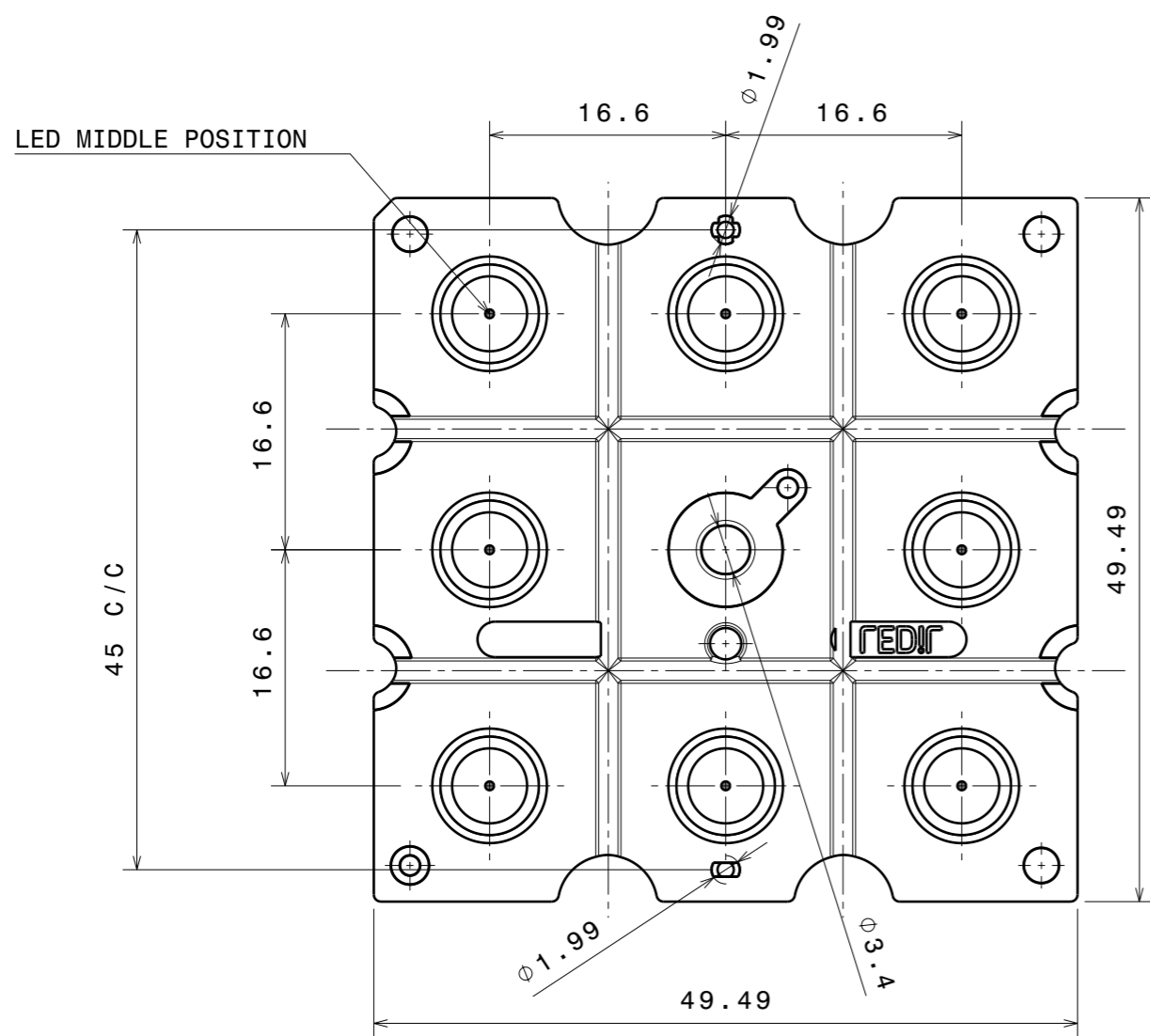
1

4

3

2

1



INDEX	PART NO	DESCRIPTION	MATERIAL	COLOUR
1	-	-	-	-

Tolerances if not otherwise shown
 According to DIN ISO 2768-1
 Linear measures:
 up to 30mm class M, otherwise class C
 According to DIN ISO 2768-2
 Form and position: class L

LEDiL Ledil Oy
 Salorankatu 10
 FIN 24240 SALO
 Finland

THIRD ANGLE PROJECTION:

DRAWING TITLE
Datasheet_STRADELLA-M

This drawing is the property of LEDiL Oy. It may not be reproduced, copied or communicated without a written agreement with LEDiL Oy.

SIZE	PART NUMBER
A3	C15184

SCALE	2:1	WEIGHT	g	SHEET	1/1
-------	-----	--------	---	-------	-----

H G B A