



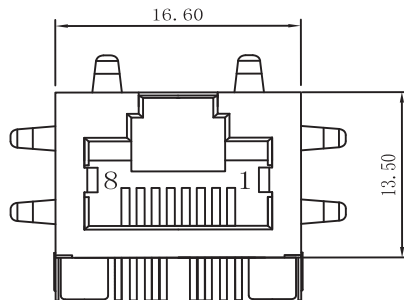
- 100/1000 Base-T Gigabit
- Designed to meet IEEE802.3at
- PoE up to 720mA @ 57VDC Continuous
- RJ45 jack cavity conforms to FCC rules and regulations Part 68, SUB Part F
- Industrial Temp: -40°C to +85°C

Electrical Specifications @ 25°C						
Part Number	OCL(uH Min) @ 100kHz, 100mVac	Turns Ratio (± 3%) TX/RX	Cross Talk (dB Min)			HI-POT (Test) (Vrms Min)
	With 20mA DC Bias		1-30MHz	30-60MHz	60-100MHz	
AR11-4252I	350	1CT:1CT	-40	-35	-30	1500

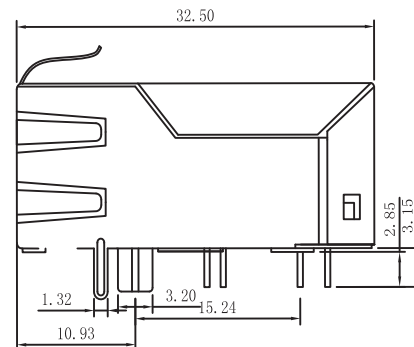
Electrical Specifications @ 25°C						
Part Number	Insertion Loss (dB Max)	Return Loss (dB Min)			CMR (dB Min)	
	1-100MHz	1-30MHz	30-60MHz	60-100MHz	1-50MHz	50-150MHz
AR11-4252I	-1.0	-18	-15	-12	-30	-20

All specifications subject to change without notice.

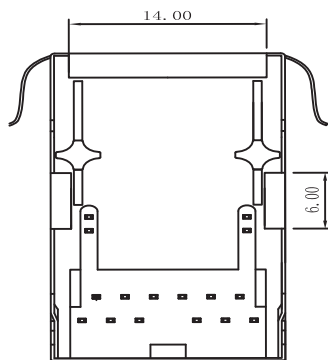
MECHANICAL



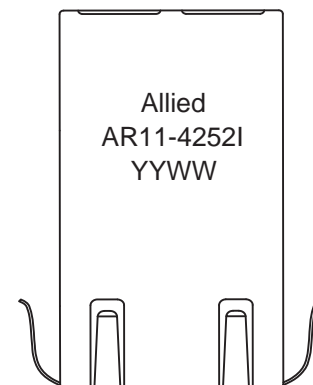
Front Side View



Left Side View



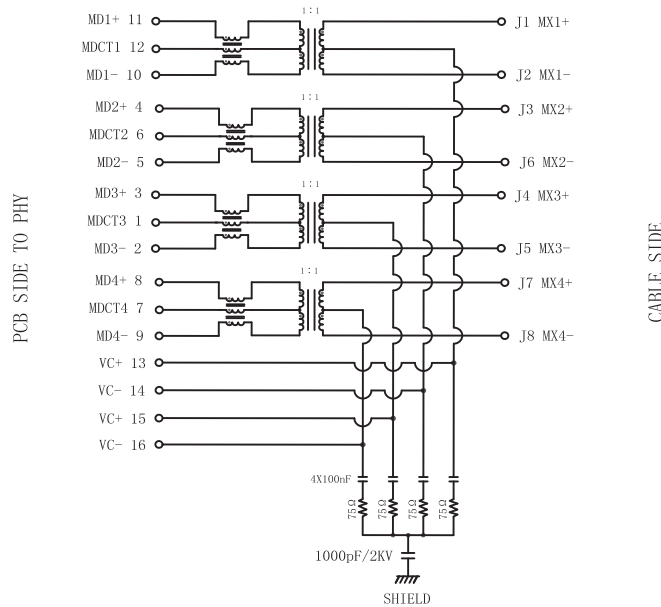
Bottom Side View



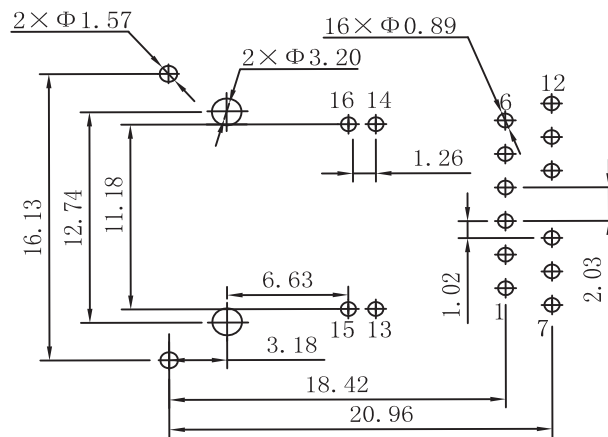
Top Side View



SCHEMATICS



PCB LAYOUT



NOTES

1. Meets IEEE 802.3at specification
2. Connector Materials:
 Housing: Thermoplastic UL94V-0
 Contact/Shield: Copper alloy
 Shield plating: Nickel
 Contact plating: Gold 6 micro-inches min. In contact area.
3. Wave solder tip temperature: 265°C Max, 5 Sec Max