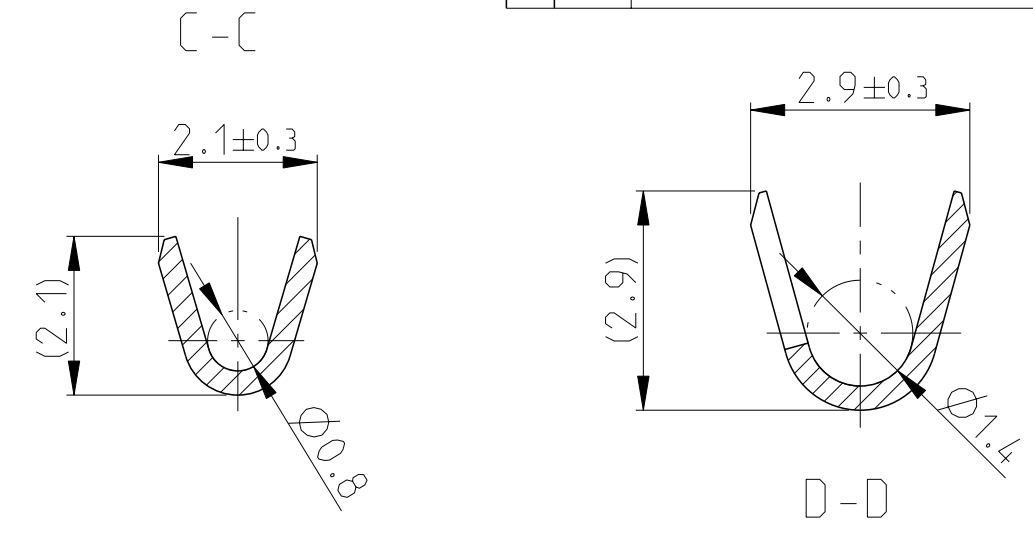
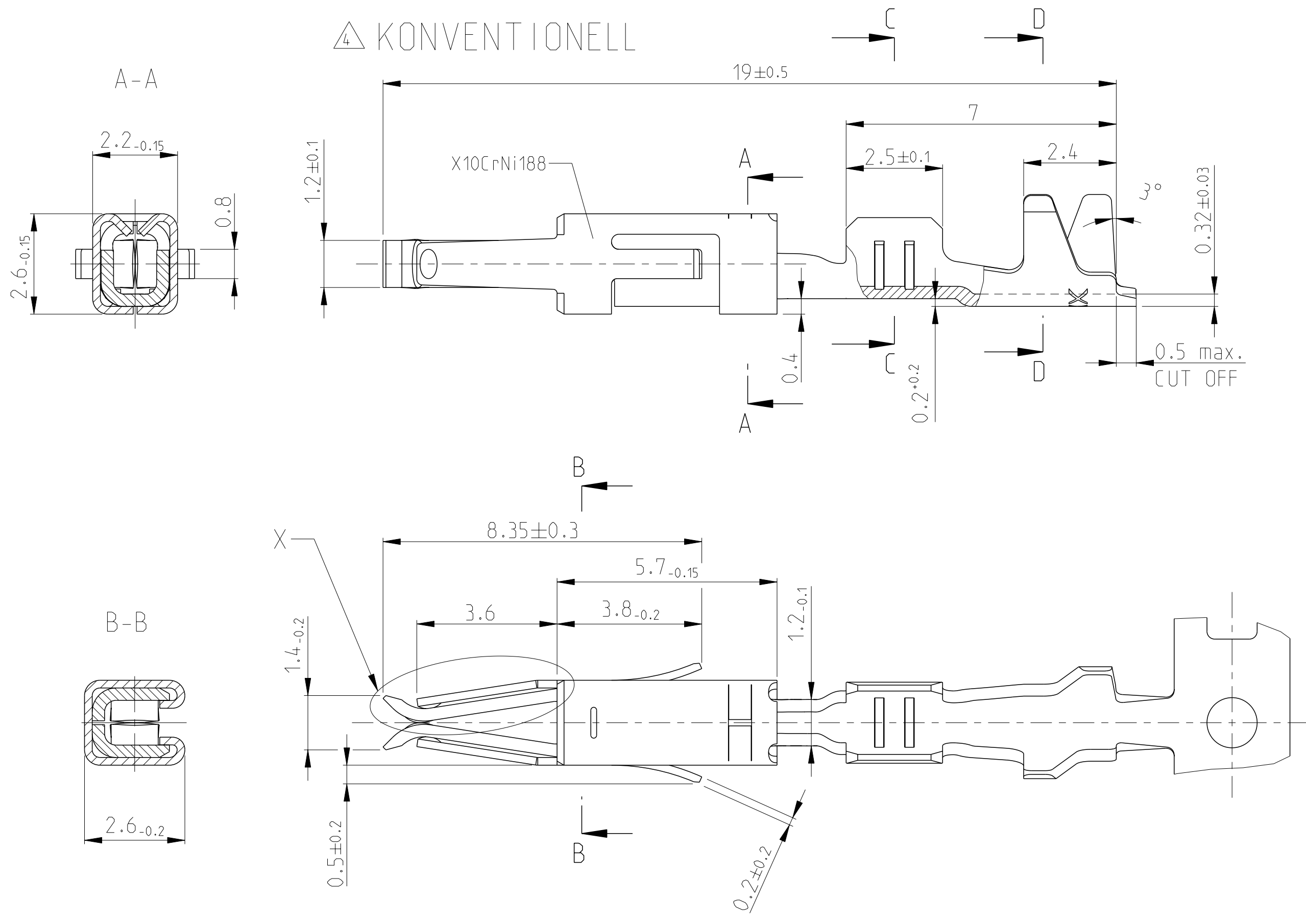


THIS DRAWING IS UNPUBLISHED. RELEASED FOR PUBLICATION 2008
 © COPYRIGHT 2008 Tyco Electronics AMP GmbH ALL RIGHTS RESERVED.

LOC	DIST	REVISIONS			
P	LTR	DESCRIPTION	DATE	DWN	APVD
A1	-				
J3		OPTIONAL to note 8 TTD added. (area A3)	28JUN2011	Kirs	Mair
J4		SURFACE ERROR (962942-6) CHANGE NOTE 1 TO NOTE 2	06MAR2012	Kirs	Eder
J5		SET PN 's OBSOLETE	17JUN2014	Ho.	Eder
J6		ECR-22-153256	21SEP2022	FRAN	SCHI

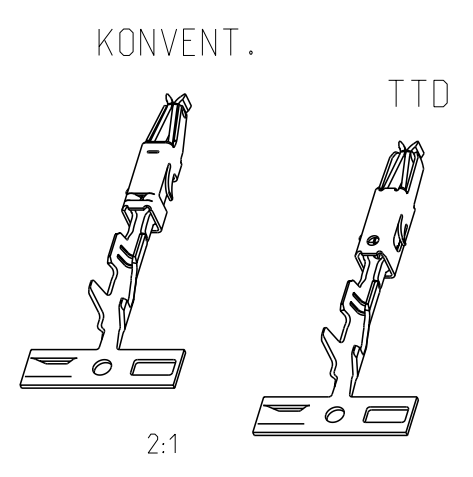
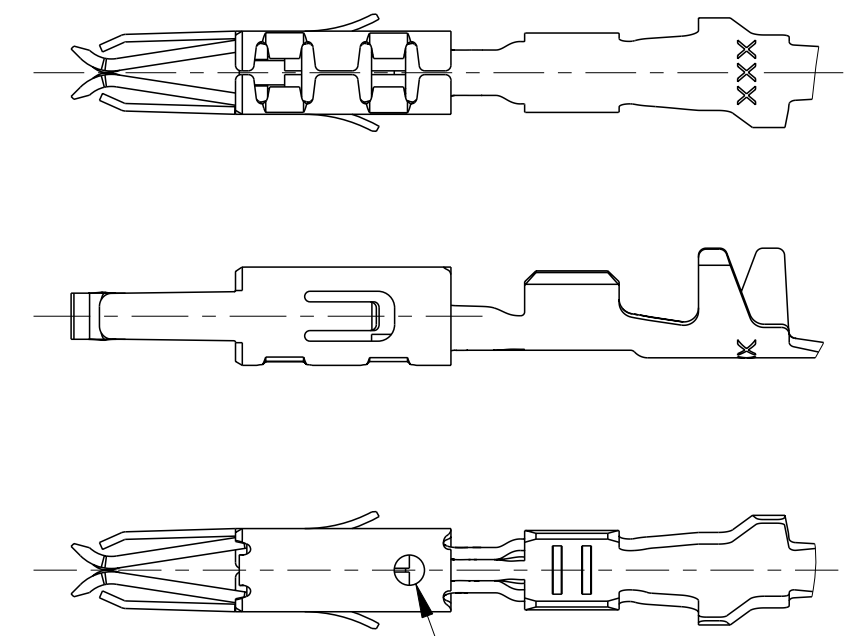
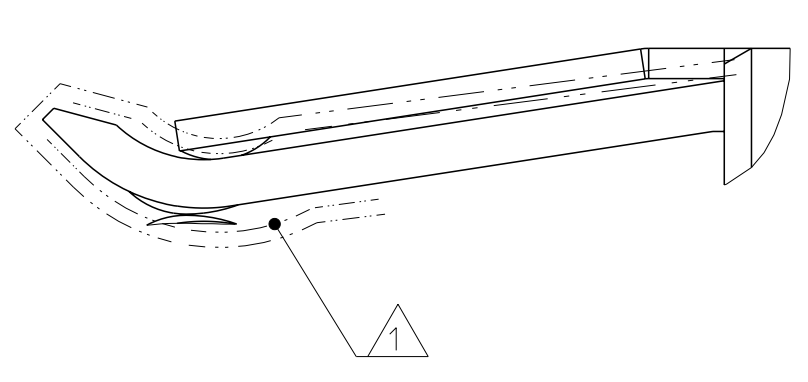


NOTES
Bemerkungen

- 1 SELECTIVE GOLD OVER NICKEL 0.8 µm MIN.
selektiv vergoldet ueber Nickel 0.8 µm min.
- 2 TIN PLATED OVER NICKEL 0.2 µm MIN.
verzinkt ueber Nickel 0.2 µm min.
- 3 WIRE RANGE : 0.2 - 0.5 mm²
INSULATION-Ø : 1.15 - 1.6 mm (FLR)
Drahtgroessenbereich : 0.2 - 0.5 mm²
Isolations-Ø : 1.15 - 1.6 mm (FLR)

X
M 20:1

5 TWO TRACK DIE
M 5:1



J6

VERSION	LP NO	SURFACE / Oberflaeche	MATERIAL	PART NO	REV
4 5	962944-5	1 2	CuFe2	962942-5	J
4 5	962944-3	1 2	CuSn4	962942-3	J
4 5	962944-2	PRETIN	CuFe2	962942-2	J
4 5	962944-1	PRETIN	CuSn4	962942-1	J

THIS DRAWING IS A CONTROLLED DOCUMENT.

DIMENSIONS: mm	TOLERANCES UNLESS OTHERWISE SPECIFIED:	DWN M.Pfeilschiffer 24 JUL 2003	TE Connectivity
		CHK M.Brunner 24 JUL 2003	
		APVD M.Bleicher 24 JUL 2003	
		PRODUCT SPEC 108-18055	
MATERIAL		APPLICATION SPEC 114-18081	NAME MICRO TIMER 2 CONTACT Micro Timer 2 Kontakt
		WEIGHT 0.3 g	SIZE A2
		CUSTOMER DRAWING	CAGE CODE 00779
			DRAWING NO G-962942
			RESTRICTED TO -
			SCALE 10:1
			SHEET 1 OF 1
			REV J6

printed on 21 Sep 2022 11:42 (Mittwoch) from TE220462