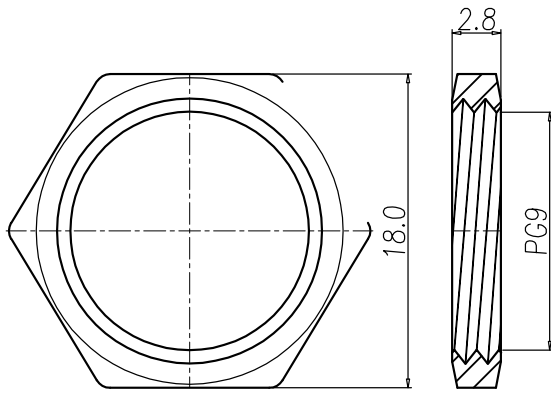


NOTE:

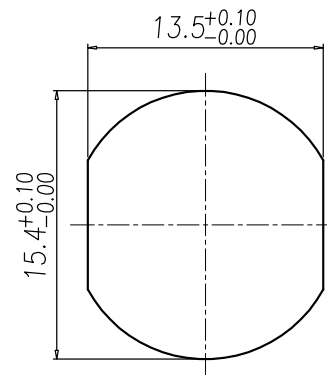
MATERIAL	
HOUSING:	PA66 UL94V-0, BLACK
CONTACT:	BRASS
NUT:	BRASS
SHELL:	BRASS
ORING:	EPDM
FINISH	
CONTACT:	10µ" GOLD PLATED OVER NICKEL
NUT:	NICKEL PLATED
SHELL:	NICKEL PLATED
ELECTRICAL	
RATED CURRENT:	16A
RATED VOLTAGE:	63V
WATER PROOF:	IP67
ENVIRONMENT	
OPERATION TEMPERATURE:	-40°C TO +85°C

860-LP5-213R00Y

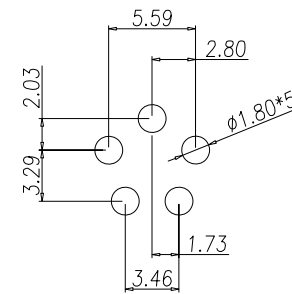
- 1 = GOLD FLASH
- 4 = 10µ" GOLD
- 3 = BRASS/NICKEL (B/N) SHELL & NUT
- S = STAINLESS STEEL (SS) SHELL & NUT



NUT



RECOMMENDPANEL CUT-OUT



P.C.B LAYOUT

RoHS COMPLIANT

UNITS = mm

DO NOT SCALE FROM DRAWING



THESE DRAWINGS AND SPECIFICATIONS ARE THE PROPERTY OF NorComp AND SHALL NOT BE REPRODUCED, COPIED OR USED AS THE BASIS FOR THE MANUFACTURE OR SALE OF APPARATUS WITHOUT WRITTEN PERMISSION.

DRAWN:

J. KADEL

DATE:

10/26/2020

NorComp

SCALE:  
NTS

SHEET OF  
1 1

REV  
4

DWG NO.

860-LP5-213R004