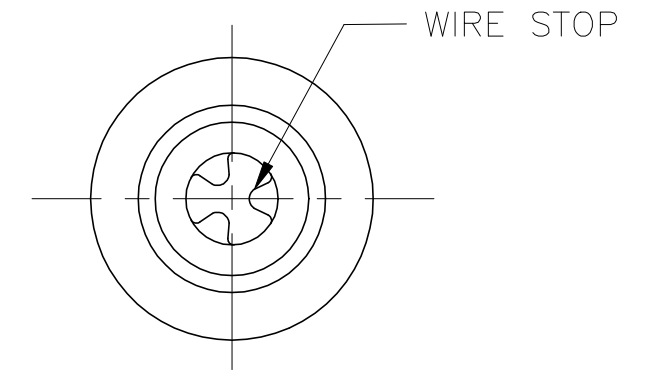
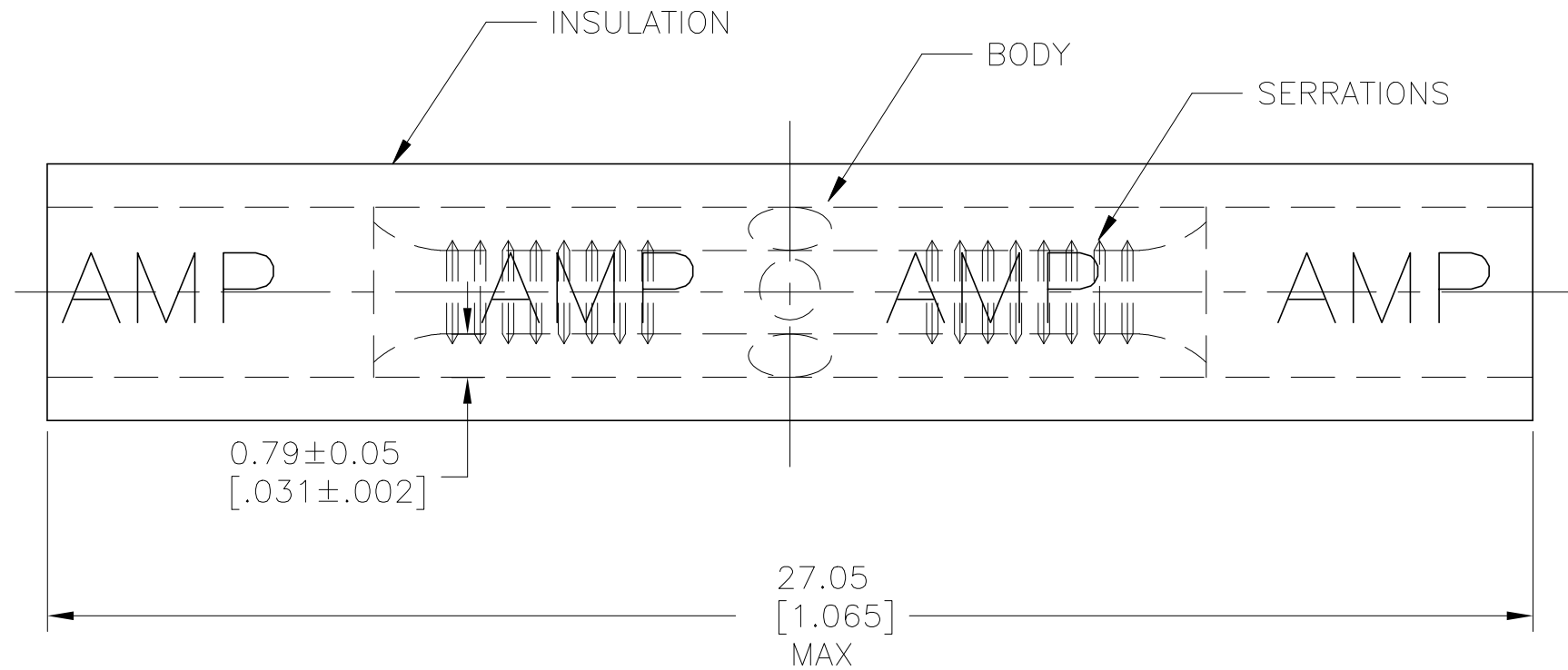


REVISIONS

P	LTR	DESCRIPTION	DATE	DWN	APVD
G2		REDRAW PER ECO-11-020548	02FEB12	KH	DR
G3		REVISED PER ECO-19-004232	19JUN2019	RS	DR

- 1 FOR 2.03[.080] TO 3.05[.120] WIRE INS. DIA
- 2 WIRE SIZE IS 22-16 AWG



QTY	PACKAGE TYPE	MATERIAL & FINISH	PART NO
100	LOOSE PC,BOX	MATERIAL: BODY: COPPER PER ASTM B152 INSULATION: PVC	8-34067-1
2500	34067 ON TAPE	FINISH: BODY: TIN PLATE PER ASTM B545 INSULATION: COLOR-RED	2-34067-1
1000	LOOSE PIECE		34067

THIS DRAWING IS A CONTROLLED DOCUMENT.		DWN KIRAN HOLAL 02FEB12	STE TE Connectivity														
DIMENSIONS: mm [INCHES]		CHK ROHDE DANIEL 02FEB12															
TOLERANCES UNLESS OTHERWISE SPECIFIED:		APVD ROHDE DANIEL 02FEB12	NAME WIRE SPLICE, PLASTI-GRIP, BUTT, WIRE SIZE: 22-16 AWG														
<table border="0"> <tr><td>0 PLC</td><td>± -</td></tr> <tr><td>1 PLC</td><td>± -</td></tr> <tr><td>2 PLC</td><td>± -</td></tr> <tr><td>3 PLC</td><td>± 0.20[.008]</td></tr> <tr><td>4 PLC</td><td>± -</td></tr> <tr><td>ANGLES</td><td>± 5'</td></tr> </table>		0 PLC	± -	1 PLC	± -	2 PLC	± -	3 PLC	± 0.20[.008]	4 PLC	± -	ANGLES	± 5'	PRODUCT SPEC -	RESTRICTED TO -		
0 PLC	± -																
1 PLC	± -																
2 PLC	± -																
3 PLC	± 0.20[.008]																
4 PLC	± -																
ANGLES	± 5'																
MATERIAL SEE TABLE		APPLICATION SPEC -	SIZE A3	CAGE CODE 00779	DRAWING NO C-34067												
FINISH SEE TABLE		WEIGHT -	CUSTOMER DRAWING														
			SCALE 8:1	SHEET 1 OF 1	REV G3												