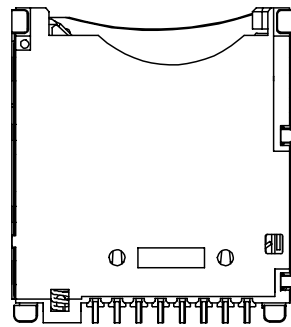
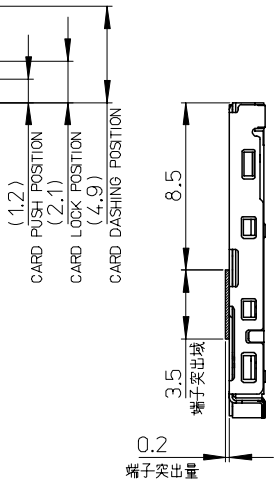
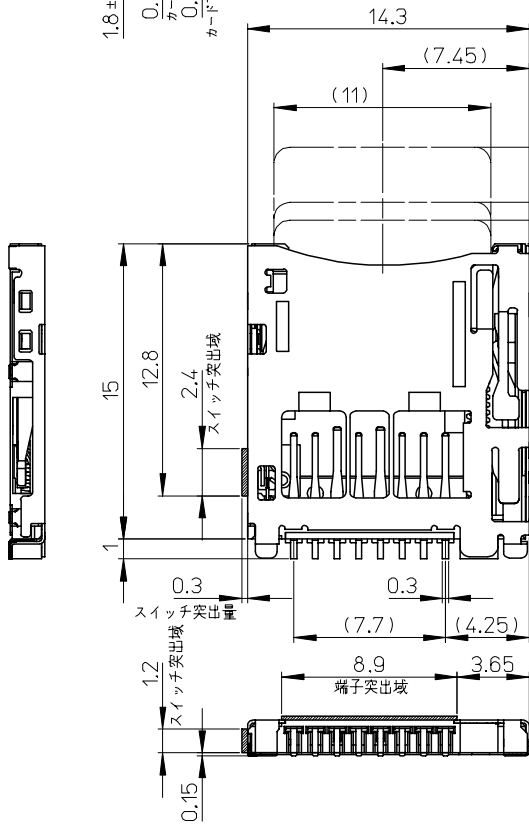
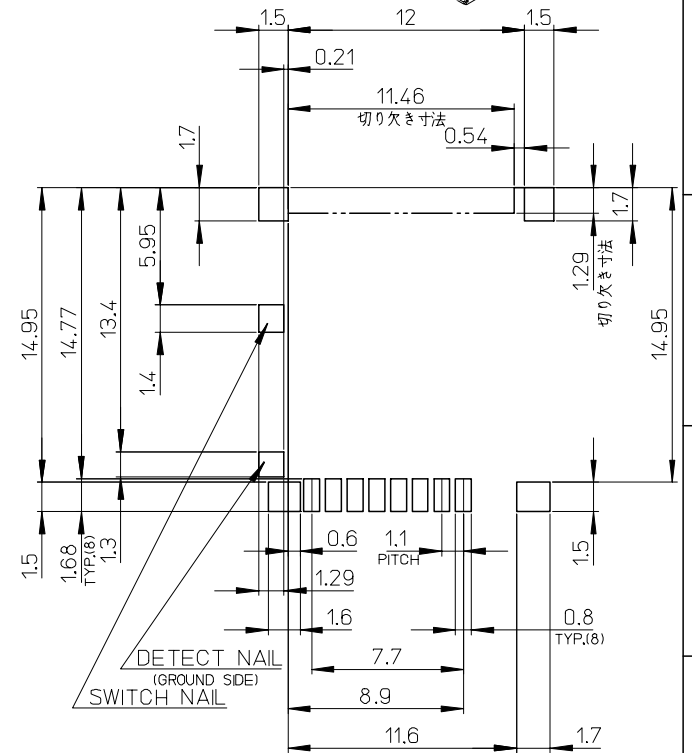
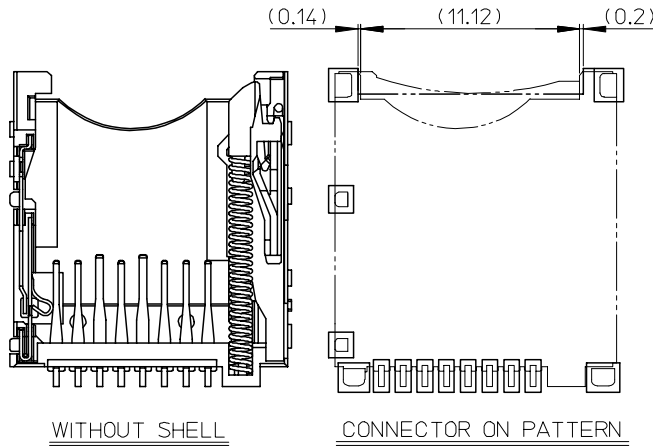
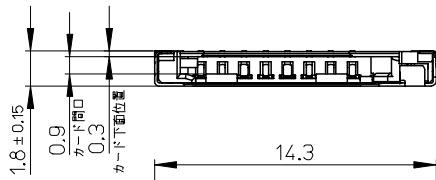
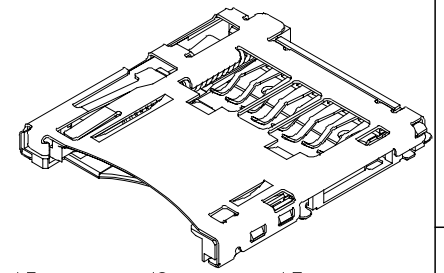


10 9 8 7 6 5 4 3 2 1

NOTES

- 端子とネイルの平坦度は 0.1MAX.
COPLANARITY OF TERMINAL AND NAIL TO BE 0.1MAX.
- ロット印字は任意とする。
LOT NUMBERING TO BE OPTIONAL ARRANGEMENT.
- 肉抜き位置は任意とする。
CAVITY TO BE OPTIONAL ARRANGEMENT.
- エンボス梱包: 502107-0891
EMBOSS PACKAGE: 502107-0891
- カード検出スイッチ
DETECT SWITCH

カード挿入時 CARD INSERTING POSITION	クローズ CLOSED
カード未挿入時 NO CARD POSITION	オープン OPEN



RECOMMENDED PCB PATTERN LAYOUT
GENERAL TOLERANCE : ±0.05

PROPOSED EC NO: J2007-1418 DRWNSKUROSE CHKD: 2006/11/15 APPR: Y0110 2006/11/16	GENERAL TOLERANCES (UNLESS SPECIFIED)		DIMENSION STYLE MM ONLY		SCALE 4:1	DESIGN UNITS METRIC	THIRD ANGLE PROJECTION	
	10 UNDER	±0.2	DRAWN BY DATE T.HIRAYAMA 2006/06/08		TITLE MICRO SD CONN. REVERSE			
	10 OVER 30 UNDER	±0.25	CHECKED BY DATE K.ADACHI 2006/06/08		-LEAD FREE-			
	30 OVER	±0.3	APPROVED BY DATE J.MIYAZAWA 2006/06/08		MOLEX INCORPORATED			
0	ANGULAR ±1 °	DRAFT WHERE APPLICABLE MUST REMAIN WITHIN DIMENSIONS		MATERIAL NO. 502107-0811		DOCUMENT NO. SD-502107-001		SHEET NO. 1 OF 1
THIS DRAWING CONTAINS INFORMATION THAT IS PROPRIETARY TO MOLEX INCORPORATED AND SHOULD NOT BE USED WITHOUT WRITTEN PERMISSION								