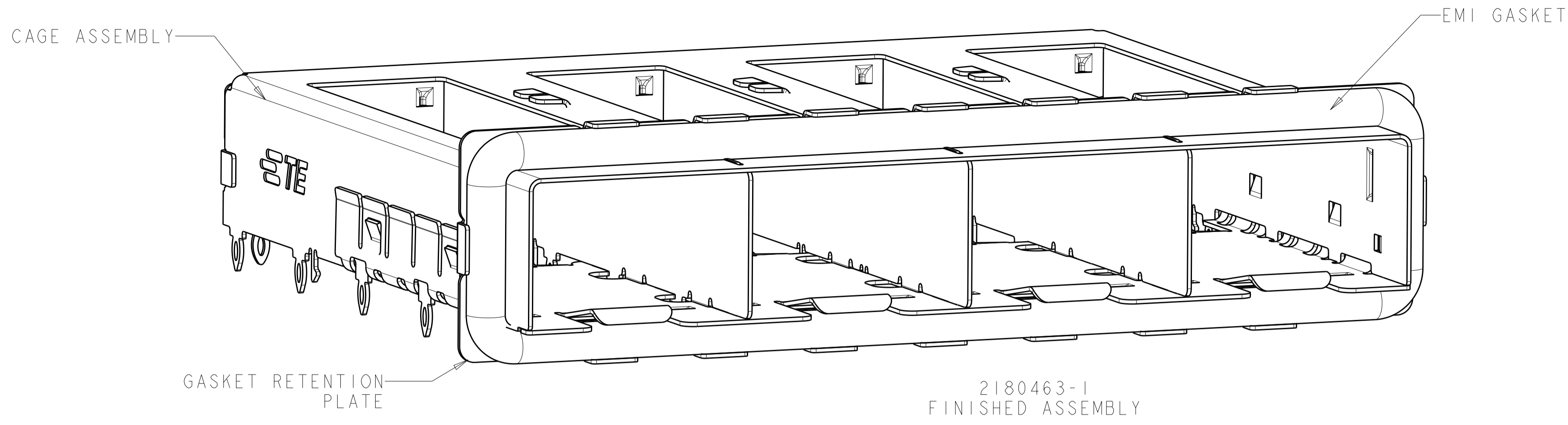
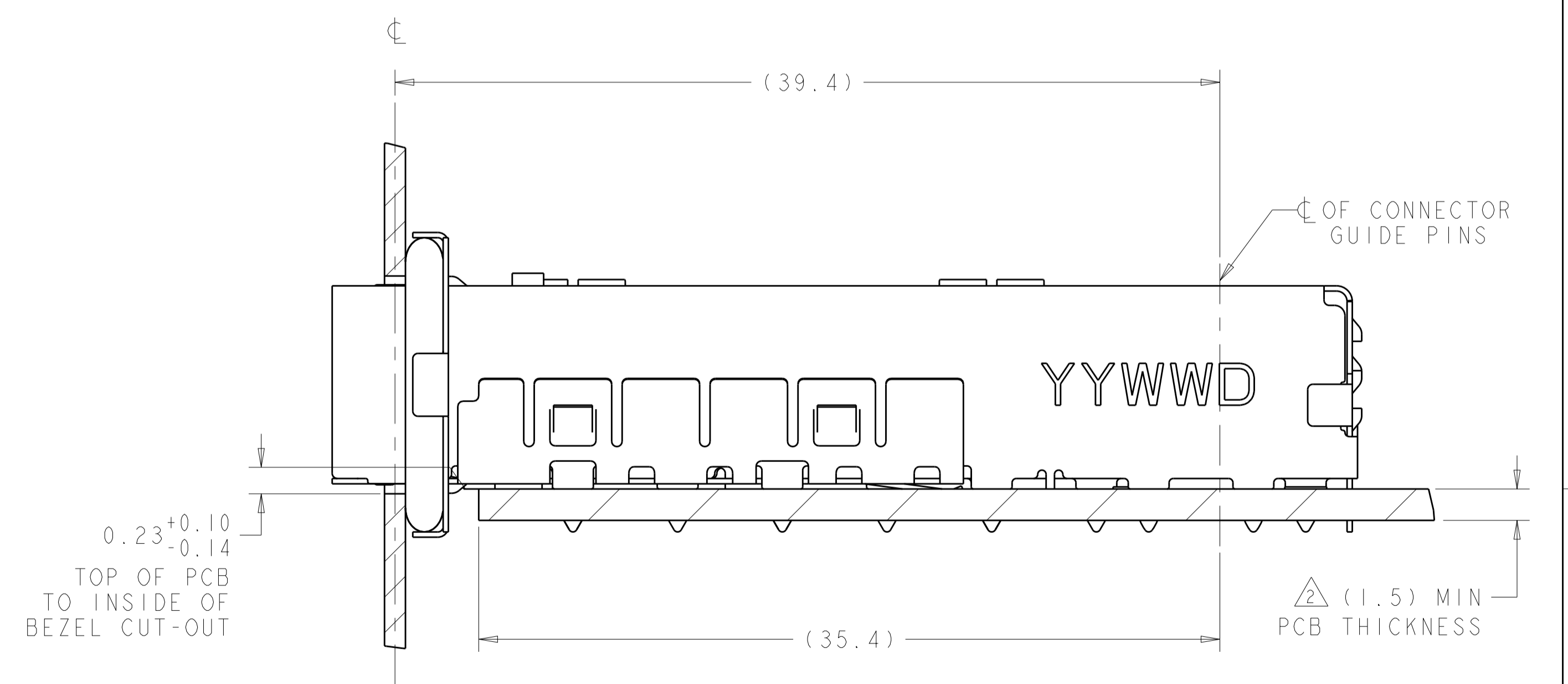
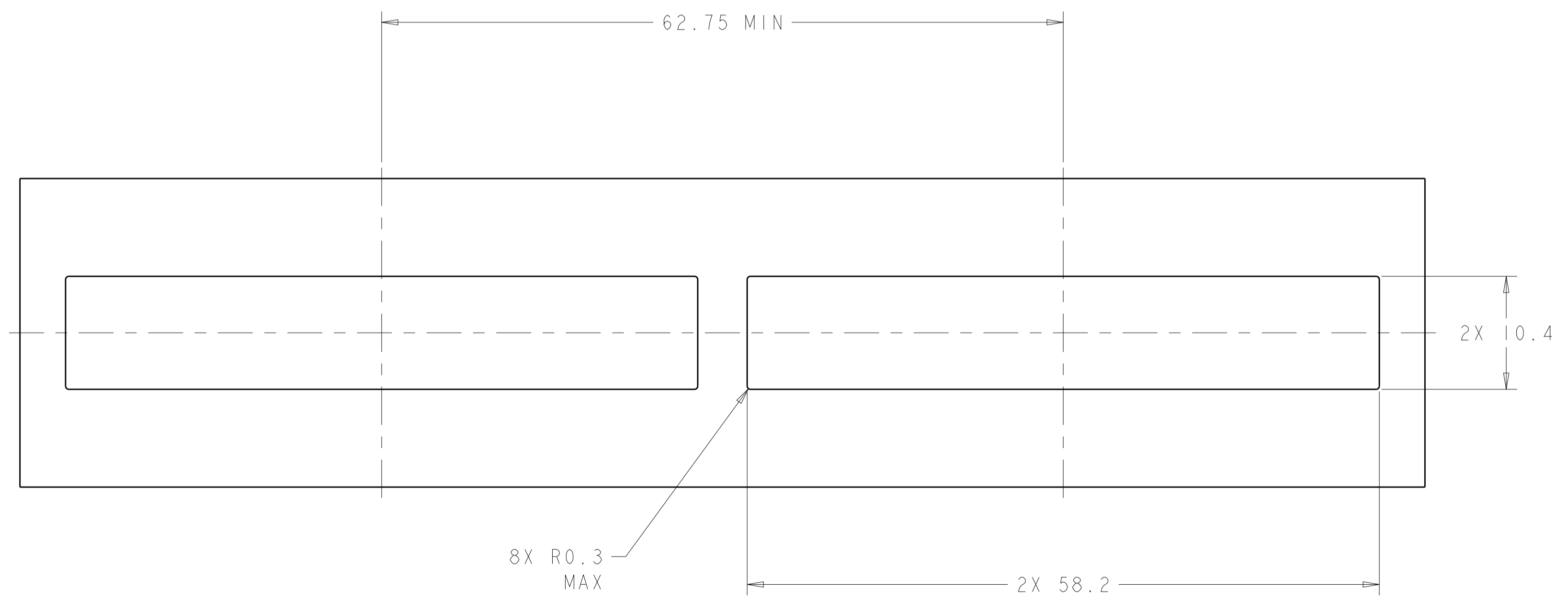
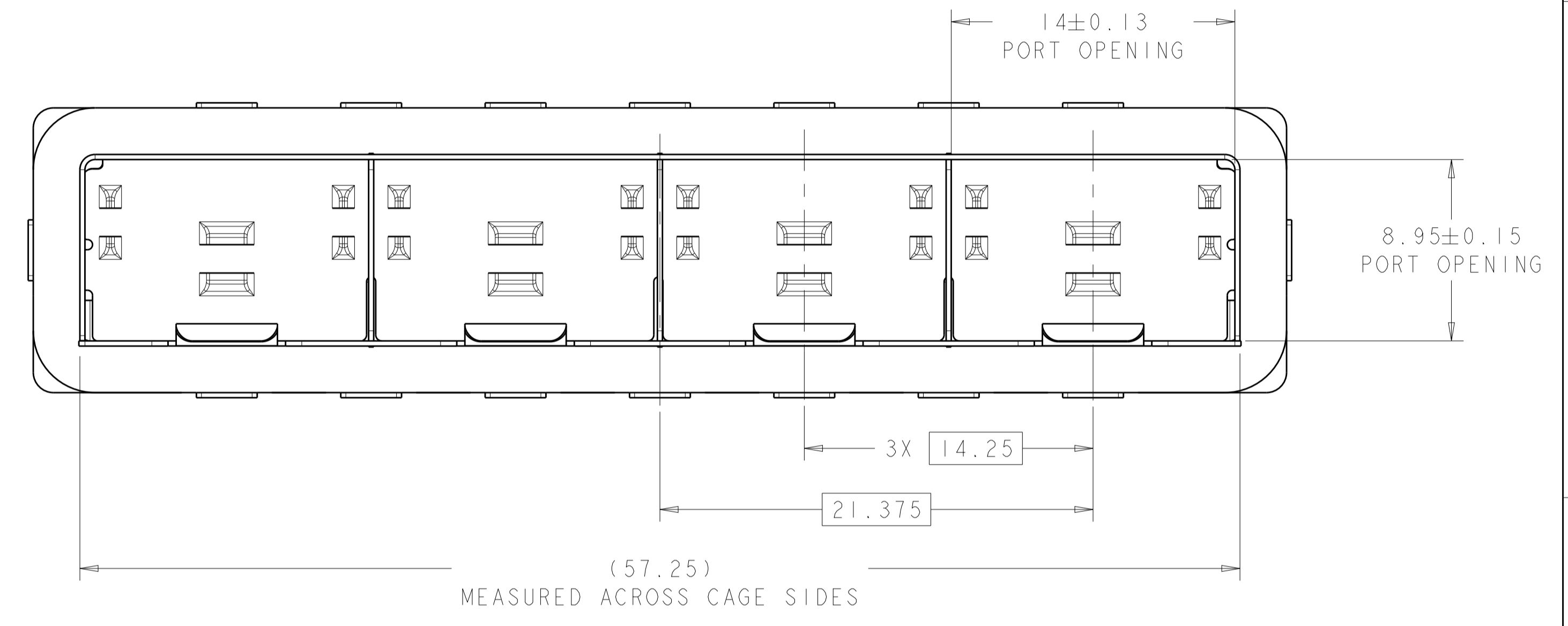
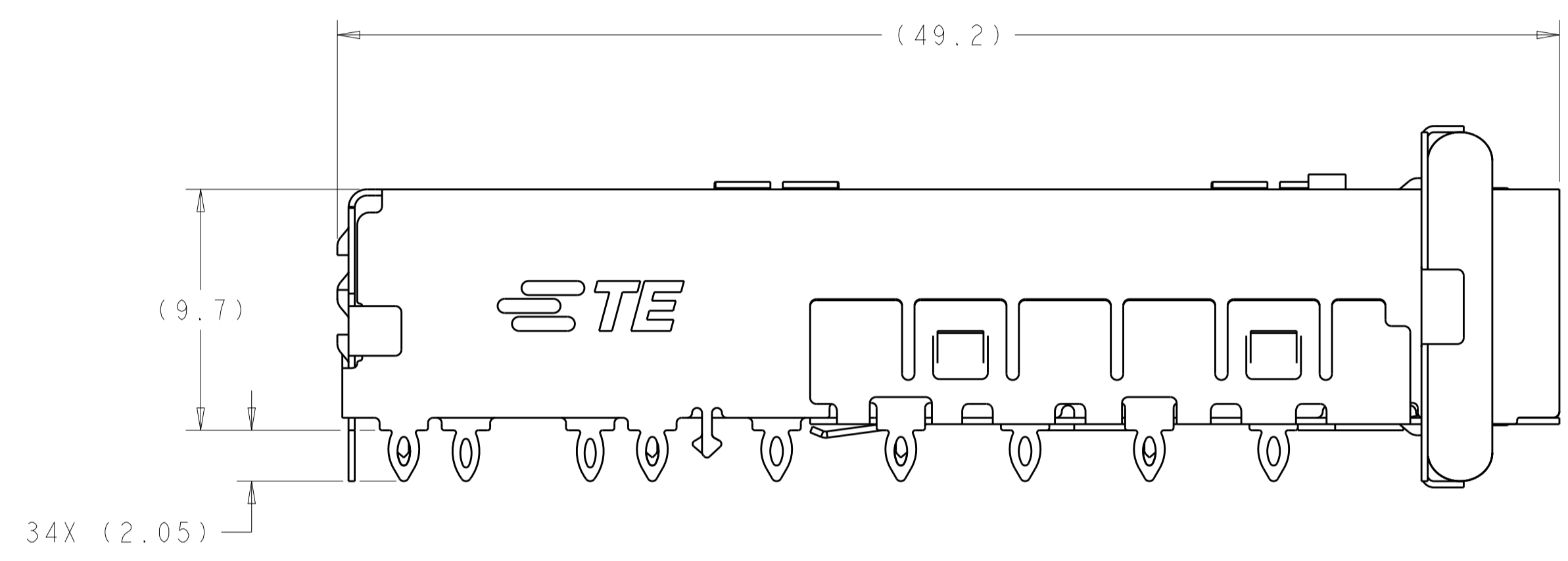


LOC		DIST		REVISIONS			
GP	00	P	LTN	DESCRIPTION	DATE	DWN	APVD
		A		RELEASED PER ECO-12-013192	16OCT2012	BMM	MRS
		B		REVISED PER ECO-13-003777	19MAR2013	CJV	MRS



- 1 MATERIAL:  
CAGE ASSEMBLY: NICKEL SILVER ALLOY  
GASKET RETENTION PLATE: STAINLESS STEEL  
EMI GASKET: PLATED FILLED SILICONE
- 2 MINIMUM PC BOARD THICKNESS:  
SINGLE SIDED = 1.50mm
- 3 PADS AND VIAS CHASSIS GROUND.
- 4 DATUM AND BASIC DIMENSION ESTABLISHED BY CUSTOMER.
- 5 MATES WITH SFP MSA COMPLIANT TRANSCEIVERS.
- 6 INTERPRETATION OF DATUM REFERENCE FRAME IN ACCORDANCE WITH SECT 4.4.1.1 OF ASME Y14.5M-1994.
- 7 REFERENCE APPLICATION SPEC. 114-13120, HOLE A, FOR RECOMMENDED DRILL HOLE DIAMETER AND PLATING THICKNESS.
- 8 REFERENCE APPLICATION SPEC. 114-13120, HOLE B, FOR RECOMMENDED DRILL HOLE DIAMETER AND PLATING THICKNESS.
- 9 HOLE PATTERN REPEATS FOR EACH PORT. SPACING BETWEEN PORTS IS 14.25mm.



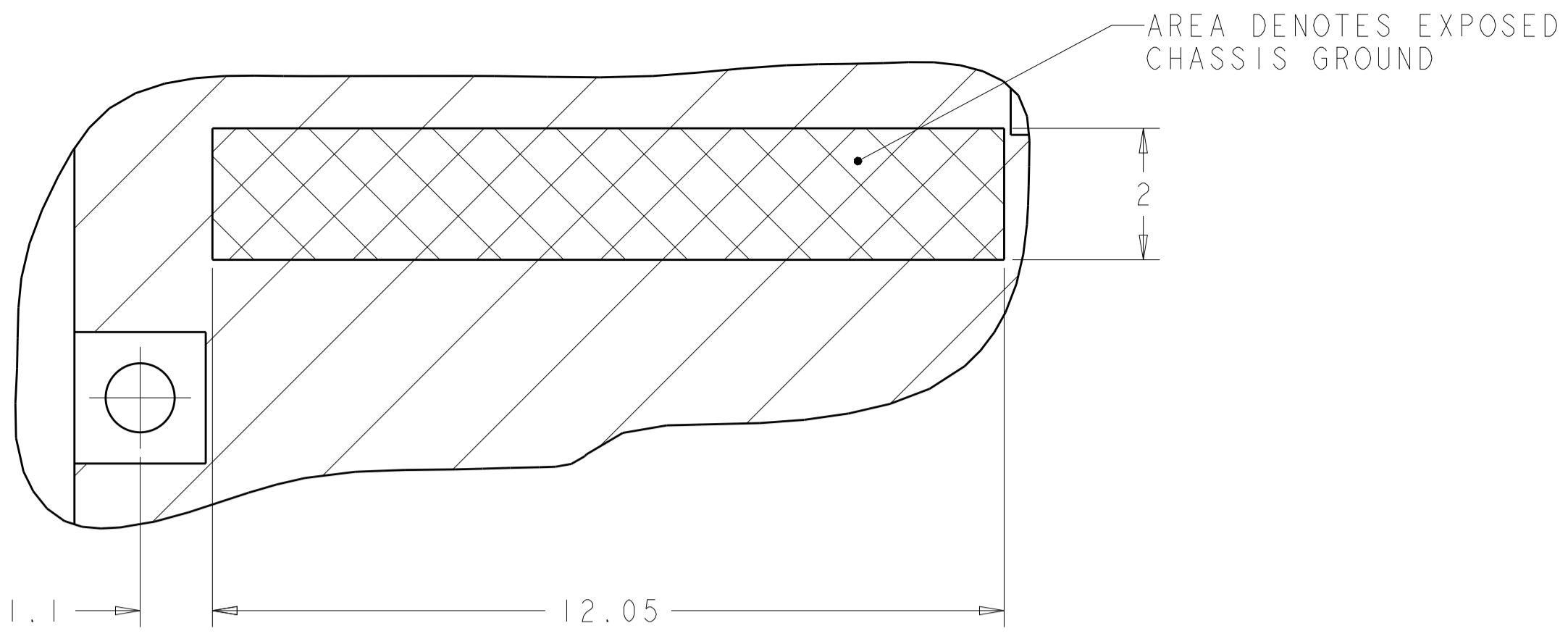
RECOMMENDED BEZEL CUT-OUT  
SINGLE SIDED APPLICATIONS  
SCALE 3:1

2169260-1  
MOUNTED ON PC BOARD  
SHOWN THRU RECOMMENDED BEZEL

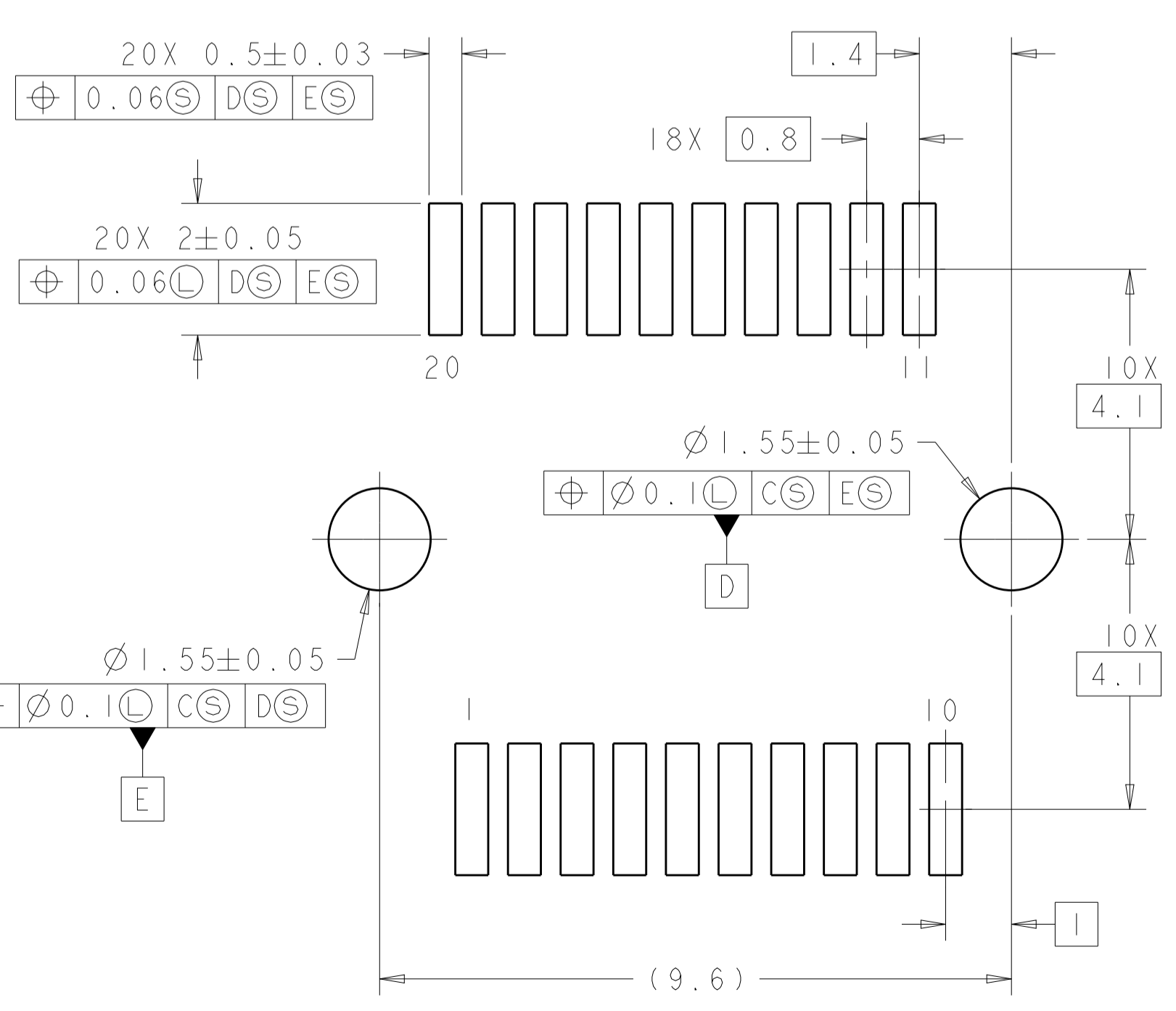
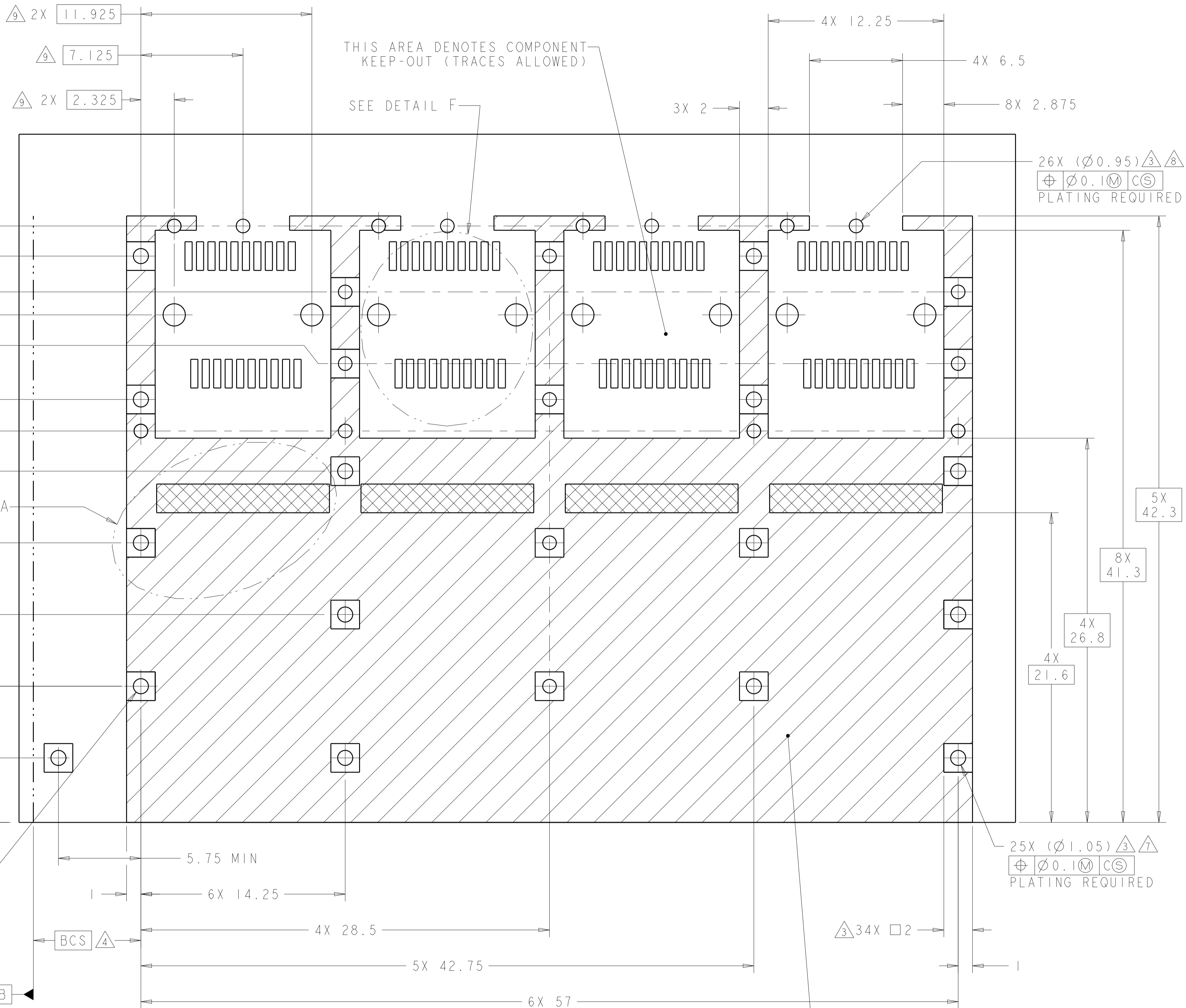
2180463-1  
PART  
NUMBER

THIS DRAWING IS A CONTROLLED DOCUMENT. DIMENSIONING AND TOLERANCING PER ASME Y14.5M-2009. TOLERANCES UNLESS OTHERWISE SPECIFIED:		DWN B. MATTHEWS 18MAR2011	TE Connectivity	
DIMENSIONS: mm		CHK M. SCHMITT 18MAR2011	NAME	
0 PLC ±0.1		APVD M. SCHMITT 18MAR2011	PRODUCT SPEC	
1 PLC ±0.1		108-2364		
2 PLC ±0.1		APPLICATION SPEC		
3 PLC ±0.1		114-13120		
4 PLC ±0.1		WEIGHT		
ANGLES ±1°		A100779C=2180463		
FINISH		Customer Drawing		
SCALE 5:1		SHEET 1 OF 2		
REV B		REV B		

LOC	DIST	REV	DATE	BY	APPV
GP	00				



DETAIL A  
 4X INDIVIDUALLY  
 SCALE 12:1



DETAIL F  
 RECOMMENDED PT CONNECTOR LAYOUT  
 4X INDIVIDUALLY  
 SCALE 12:1

RECOMMENDED PCB CONFIGURATION WITH KEEP-OUT AREAS

CROSS-HATCHED AREA DENOTES COMPONENT AND TRACE KEEP-OUT (EXCEPT CHASSIS GROUND)

THIS DRAWING IS A CONTROLLED DOCUMENT. DIMENSIONING AND TOLERANCING PER ASME Y14.5M-2009		OWN: B. MATTHEWS 18MAR2011 CHK: M. SCHMITT 18MAR2011 APV: M. SCHMITT 18MAR2011	TE Connectivity <b>SFP+ ENHANCED 1X4 CAGE ASSEMBLY, PRESS FIT</b>
DIMENSIONS: mm	TOLERANCES UNLESS OTHERWISE SPECIFIED: 0 PLC ±0.1 1 PLC ±0.1 2 PLC ±0.1 3 PLC ±0.1 4 PLC ±0.1 ANGLES ±1°	PRODUCT SPEC: 108-2364 APPLICATION SPEC: 114-13120 WEIGHT: -	
MATERIAL:	FINISH:	Customer Drawing	SIZE: A1 CAGE CODE: 100779 DRAWING NO: C=2180463 SCALE: 5:1 SHEET: 2 of 2 REV: B