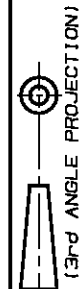


NUMBER
174520

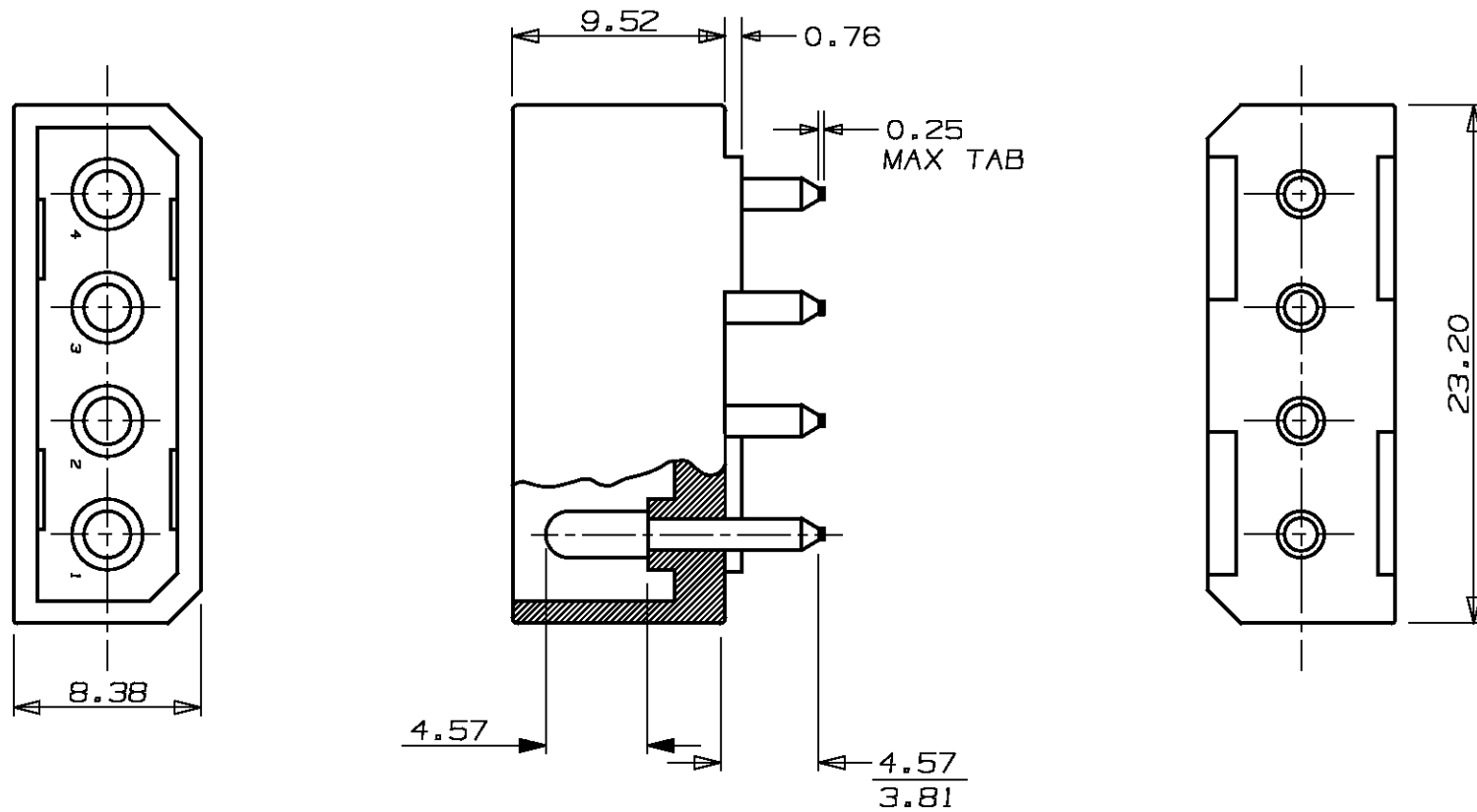


METRIC

CONFIDENTIAL INFORMATION

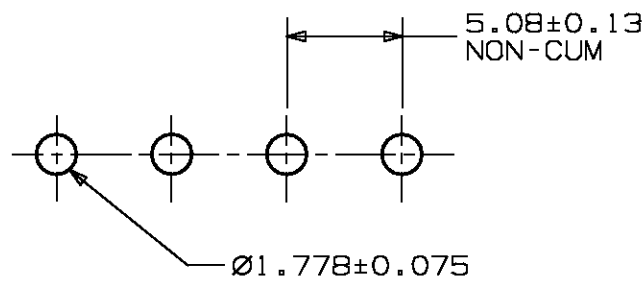
DIMENSIONS IN MM. DO NOT SCALE PRINT

PRINT DIST



NOTES

- 1 PARTS COMPLY WITH AMP SOLDERABILITY SPEC 109-11-3
- 2 CONTACT IS PLATED OVER ALL WITH 0.0013 NICKEL. THEN 0.00075 GOLD OVER CONTACT LENGTH INDICATED AND MATTE TIN ON SOLDER TAIL END.
- 3 PIN RETENTION IN HOUSING 6 LBS. MIN
- 4 OBSOLETE PARTS: OBSOLETE CIS STREAMLINING PER D.RENAUD/D.SINISI



RECOMMENDED PCB LAYOUT FOR 1.55mm THK PCB

PIN # OMITTED	QTY	FINISH	MATERIAL	QTY	COLOUR	MAT'L	PART NO.
4		OBSOLETE					
	2	PRE-TIN	CU ALLOY	1	NATURAL	NYLON	2-174520-2
	4	PRE-TIN	CU ALLOY	1	RED	NYLON	2-174520-1
	4	PRE-TIN	CU ALLOY	1	BROWN	NYLON	1-174520-1
	4	TIN LEAD	CU ALLOY	1	NATURAL	NYLON	174520-3
	4	2	CU ALLOY	1	NATURAL	NYLON	174520-2
	4	PRE-TIN	CU ALLOY	1	NATURAL	NYLON	174520-1
		PIN 4		HOUSING		ASSEMBLY	

				Copyright ©1990		Copyright ©1990 AMP MANUFACTURING SINGAPORE PTE. LTD. ALL RIGHTS RESERVED.		AMP		AMP MANUFACTURING SINGAPORE PTE. LTD.	
		(WIRE RANGE) mm ² (AWG -)		(INSULATION DIA.) - mmØ		(NAME) HEADER ASSY, 4 CIRCUIT COMMERCIAL MATE-N-LOK					
C1		REVISED PER ECO-09-022424		KK		03/09/09		(MATERIAL) SEE TABLE		(FINISH) SEE TABLE	
c		REVISED FP00-0203-96		LWY TAP		3SEP98		DR. 30/10/90 EMILY		DE. YS KOH	
B		ECR 056/90 (REDRAWN)		EMILY SALLY		20/10/90		APP. D.MARTIN		(GENERAL TOLERANCE) 0 - 30 ± 0.38	
LTR		(REVISION RECORD)		DR CHK		DATE		CHK. SALLY		SIZE LOC (No.) A3 DY 174520	
										(SCALE) REV. SHEET 3:1 C1 1 OF 1	

CUSTOMER DRAWING