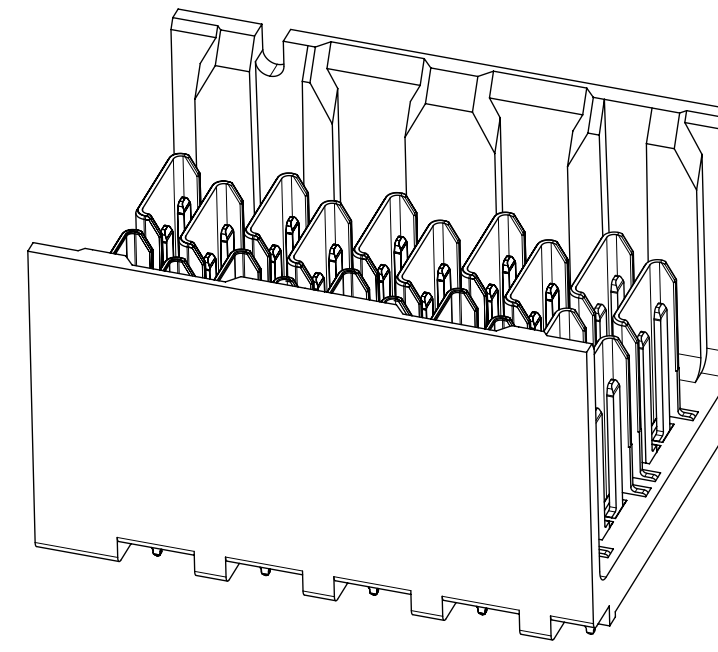


NOTES:

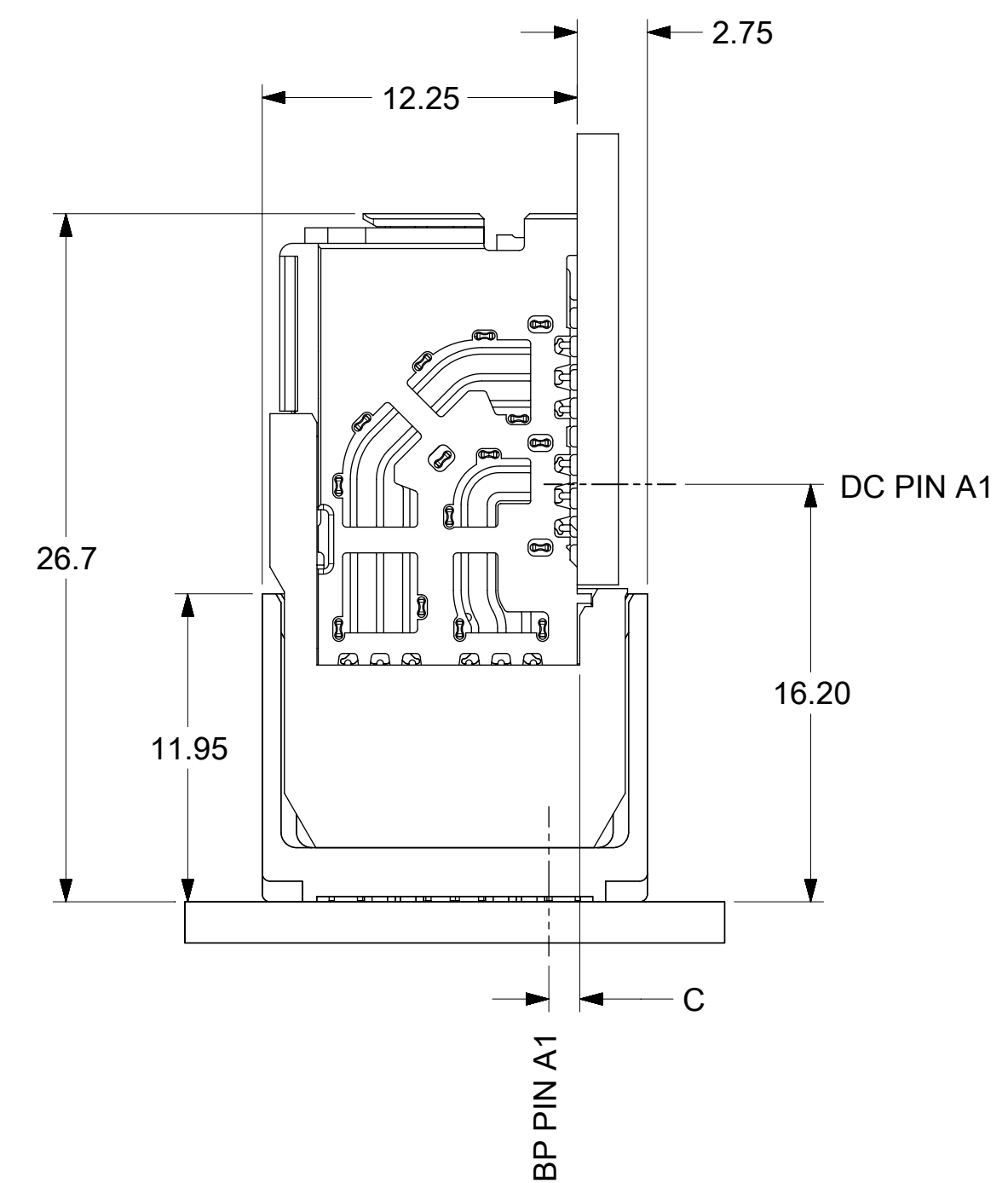
1. MATERIALS: HOUSING - LIQUID CRYSTAL POLYMER (LCP)  
GLASS-FILLED, UL94V-0  
TERMINALS - HIGH PERFORMANCE COPPER ALLOY
2. FINISH: 30uIN GOLD IN CONTACT AREA.  
SELECTIVE TIN ON PCB TAILS.  
NICKEL OVERALL.
3. REFER TO MOLEX PRODUCT SPECIFICATION PS-171320-999 FOR PERFORMANCE SPECIFICATIONS.
4. THIS PART CONFORMS TO CLASS B REQUIREMENTS OF MOLEX COSMETIC SPEC PS-45499-002.
5. PRODUCT WILL BE PACKAGED PER PK-78888-312.
6. SEE SHEETS 2 AND 3 FOR HOLE PATTERN AND MATED PART DIMENSIONS.
7. MATES WITH IMPEL DC SERIES NUMBER 171750.
8. REFER TO IMPEL PCB ROUTING GUIDE AS-171320-990 FOR ANTIPAD, ROUTING RECOMMENDATIONS, AND ADDITIONAL PCB INFORMATION.
9. WHEN STACKING MODULES END TO END, THE MINIMUM COLUMN TO COLUMN SPACING IS 2.65mm.

THIS DRAWING CONTAINS INFORMATION THAT IS PROPRIETARY TO MOLEX ELECTRONIC TECHNOLOGIES, LLC AND SHOULD NOT BE USED WITHOUT WRITTEN PERMISSION											
MIGRATED TO NX EC NO: 177983 DRWN: TMARRI CHKD: DWLEED01 REV / APPR: DWLEED01	2017/09/13		2018/07/12		2018/07/12		GENERAL TOLERANCES (UNLESS SPECIFIED)		DIMENSION UNITS		SCALE
	MM		4:1		DRAWN BY		DATE		<b>molex</b>  IMPEL 2 PAIR BACKPLANE UNGUIDED ASSEMBLY SALES DRAWING		
	ANGULAR TOL ± 0.5 °		4 PLACES ±		BJANOWIAK		2012/12/06				
	3 PLACES ±		2 PLACES ± 0.13		CHK'D BY		DATE				
	1 PLACE ± 0.25		0 PLACES ±		APPR BY		DATE		PRODUCT CUSTOMER DRAWING		
	DRAFT WHERE APPLICABLE MUST REMAIN WITHIN DIMENSIONS		DRAWING SIZE		THIRD ANGLE PROJECTION		SERIES		MATERIAL NUMBER		CUSTOMER
A2		C		171745		SEE CHART		GENERAL MARKET		DOCUMENT NUMBER	
				SD-171745-0001		PSD		DOC PART		SHEET NUMBER	
				001		1 OF 6					

MATERIAL NUMBER	NUMBER OF COLUMNS	NUMBER OF DIFF PAIR	DIM "A"	DIM "B"	DIM "C"	DIM "P"	PTH $\phi$
171745-1804	8	16	15.80	13.30	1.10	4.90	0.46±0.05
171745-1805	8	16	15.80	13.30	1.10	5.50	0.46±0.05
171745-1807	8	16	15.80	13.30	1.20	4.90	0.36±0.05
171745-1808	8	16	15.80	13.30	1.20	5.50	0.36±0.05
171745-1104	10	20	19.60	17.10	1.10	4.90	0.46±0.05
171745-1105	10	20	19.60	17.10	1.10	5.50	0.46±0.05
171745-1107	10	20	19.60	17.10	1.20	4.90	0.36±0.05
171745-1108	10	20	19.60	17.10	1.20	5.50	0.36±0.05
171745-1204	12	24	23.40	20.90	1.10	4.90	0.46±0.05
171745-1205	12	24	23.40	20.90	1.10	5.50	0.46±0.05
171745-1207	12	24	23.40	20.90	1.20	4.90	0.36±0.05
171745-1208	12	24	23.40	20.90	1.20	5.50	0.36±0.05
171745-1604	16	32	31.00	28.50	1.10	4.90	0.46±0.05
171745-1605	16	32	31.00	28.50	1.10	5.50	0.46±0.05
171745-1607	16	32	31.00	28.50	1.20	4.90	0.36±0.05
171745-1608	16	32	31.00	28.50	1.20	5.50	0.36±0.05



OPEN WALL OPTION



MATED PART DIMENSIONS

171745-1 \* \* \*

MODULE TYPE  
1 = UNGUIDED

# OF COLUMNS  
8 = 8 COL  
1 = 10 COL  
2 = 12 COL  
6 = 16 COL

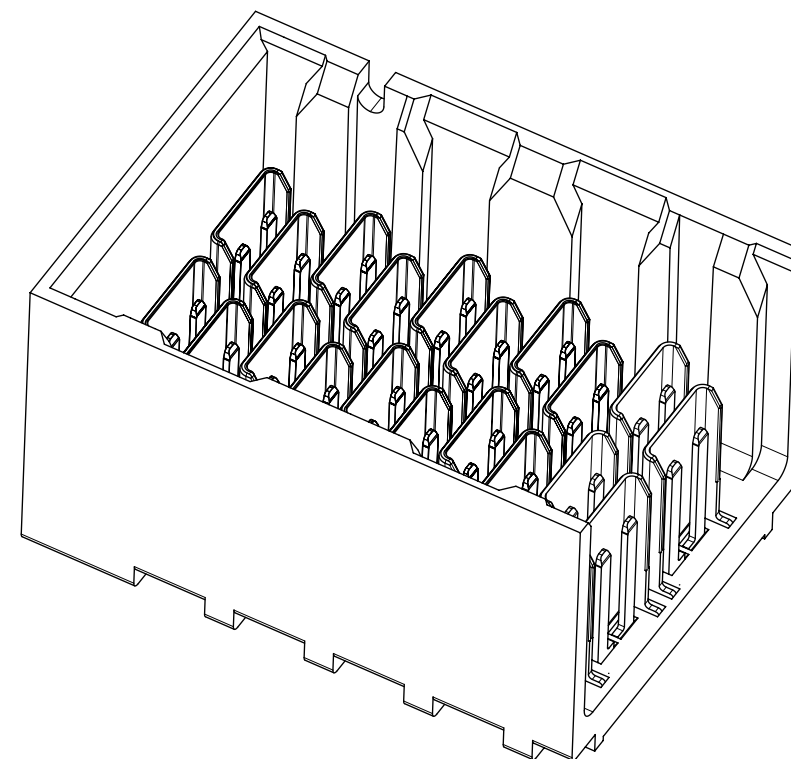
PIN LENGTH (P)  
4 = 4.90 (0.46 PTH)  
5 = 5.50 (0.46 PTH)  
7 = 4.90 (0.36 PTH)  
8 = 5.50 (0.36 PTH)

HOUSING STYLE  
0 = OPEN ENDS  
1 = LEFT END WALL  
2 = DUAL END WALL  
3 = RIGHT END WALL

THIS DRAWING CONTAINS INFORMATION THAT IS PROPRIETARY TO MOLEX ELECTRONIC TECHNOLOGIES, LLC AND SHOULD NOT BE USED WITHOUT WRITTEN PERMISSION

MIGRATED TO NX EC NO: 177983 DRWN: TMARRI CHKD: DWLEED01 REV / APPR: DWLEED01	2017/09/13	2018/07/12	2018/07/12	GENERAL TOLERANCES (UNLESS SPECIFIED)	DIMENSION UNITS: MM	SCALE: 4:1	<p>IMPEL 2 PAIR BACKPLANE UNGUIDED ASSEMBLY SALES DRAWING</p>	
	DRWN BY: BJanowiak			DATE: 2012/12/06	ANGULAR TOL ± 0.5 °	DRWN BY: BJanowiak		DATE: 2012/12/06
	CHKD BY:			DATE:	4 PLACES ±	CHKD BY:		DATE:
	APPR BY: JBingham			DATE: 2014/12/29	3 PLACES ±	APPR BY: JBingham		DATE: 2014/12/29
DRAFT WHERE APPLICABLE MUST REMAIN WITHIN DIMENSIONS				DRAWING SIZE: C	THIRD ANGLE PROJECTION	171745	SEE CHART	
RELEASE STATUS: P1		RELEASE DATE: 2018/07/12	06:52:37	DOCUMENT NUMBER: SD-171745-0001		DOC TYPE: PSD	DOC PART: 001	SHEET NUMBER: 2 OF 6

MATERIAL NUMBER	NUMBER OF COLUMNS	NUMBER OF DIFF PAIR	DIM "A"	DIM "B"	DIM "C"	DIM "P"	PTH $\phi$
171745-1814	8	16	17.20	13.30	1.10	4.90	0.46±0.05
171745-1815	8	16	17.20	13.30	1.10	5.50	0.46±0.05
171745-1817	8	16	17.20	13.30	1.20	4.90	0.36±0.05
171745-1818	8	16	17.20	13.30	1.20	5.50	0.36±0.05
171745-1114	10	20	21.00	17.10	1.10	4.90	0.46±0.05
171745-1115	10	20	21.00	17.10	1.10	5.50	0.46±0.05
171745-1117	10	20	21.00	17.10	1.20	4.90	0.36±0.05
171745-1118	10	20	21.00	17.10	1.20	5.50	0.36±0.05
171745-1214	12	24	24.80	20.90	1.10	4.90	0.46±0.05
171745-1215	12	24	24.80	20.90	1.10	5.50	0.46±0.05
171745-1217	12	24	24.80	20.90	1.20	4.90	0.36±0.05
171745-1218	12	24	24.80	20.90	1.20	5.50	0.36±0.05
171745-1614	16	32	32.40	28.50	1.10	4.90	0.46±0.05
171745-1615	16	32	32.40	28.50	1.10	5.50	0.46±0.05
171745-1617	16	32	32.40	28.50	1.20	4.90	0.36±0.05
171745-1618	16	32	32.40	28.50	1.20	5.50	0.36±0.05

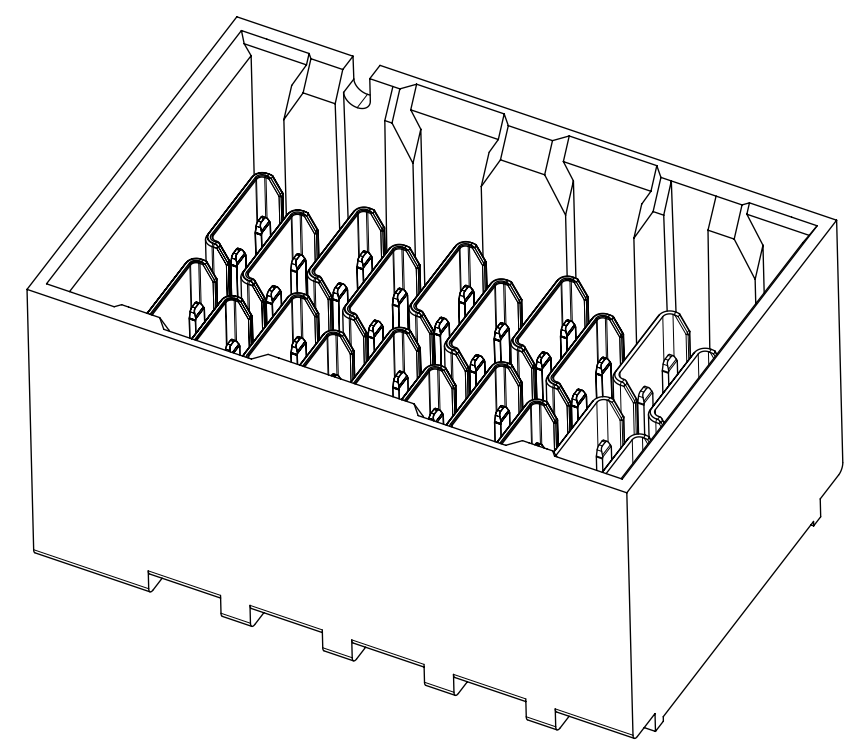


LEFT END WALL OPTION

THIS DRAWING CONTAINS INFORMATION THAT IS PROPRIETARY TO MOLEX ELECTRONIC TECHNOLOGIES, LLC AND SHOULD NOT BE USED WITHOUT WRITTEN PERMISSION

MIGRATED TO NX EC NO: 177983 DRWN: TMARRI CHKD: DWLEED01 REV / APPR: DWLEED01	2017/09/13	GENERAL TOLERANCES (UNLESS SPECIFIED)	DIMENSION UNITS	SCALE	<p>IMPEL 2 PAIR BACKPLANE UNGUIDED ASSEMBLY SALES DRAWING</p> <p>PRODUCT CUSTOMER DRAWING</p>	
	2018/07/12	ANGULAR TOL ± 0.5 °	MM	4:1		
	2018/07/12	4 PLACES ±	DRWN BY	DATE		
		3 PLACES ±	BJANOWIAK	2012/12/06		
	2 PLACES ± 0.13	CHKD BY	DATE			
	1 PLACE ± 0.25	APPR BY	DATE			
	0 PLACES ±	JBINGHAM	2014/12/29			
	DRAFT WHERE APPLICABLE MUST REMAIN WITHIN DIMENSIONS	DRAWING SIZE	THIRD ANGLE PROJECTION	SERIES	MATERIAL NUMBER	CUSTOMER
A2		C		171745	SEE CHART	GENERAL MARKET
				DOCUMENT NUMBER	DOC TYPE	DOC PART SHEET NUMBER
				SD-171745-0001	PSD	001 3 OF 6

MATERIAL NUMBER	NUMBER OF COLUMNS	NUMBER OF DIFF PAIR	DIM "A"	DIM "B"	DIM "C"	DIM "P"	PTH $\phi$
171745-1824	8	16	18.60	13.30	1.10	4.90	0.46±0.05
171745-1825	8	16	18.60	13.30	1.10	5.50	0.46±0.05
171745-1827	8	16	18.60	13.30	1.20	4.90	0.36±0.05
171745-1828	8	16	18.60	13.30	1.20	5.50	0.36±0.05
171745-1124	10	20	22.40	17.10	1.10	4.90	0.46±0.05
171745-1125	10	20	22.40	17.10	1.10	5.50	0.46±0.05
171745-1127	10	20	22.40	17.10	1.20	4.90	0.36±0.05
171745-1128	10	20	22.40	17.10	1.20	5.50	0.36±0.05
171745-1224	12	24	26.20	20.90	1.10	4.90	0.46±0.05
171745-1225	12	24	26.20	20.90	1.10	5.50	0.46±0.05
171745-1227	12	24	26.20	20.90	1.20	4.90	0.36±0.05
171745-1228	12	24	26.20	20.90	1.20	5.50	0.36±0.05
171745-1624	16	32	33.80	28.50	1.10	4.90	0.46±0.05
171745-1625	16	32	33.80	28.50	1.10	5.50	0.46±0.05
171745-1627	16	32	33.80	28.50	1.20	4.90	0.36±0.05
171745-1628	16	32	33.80	28.50	1.20	5.50	0.36±0.05

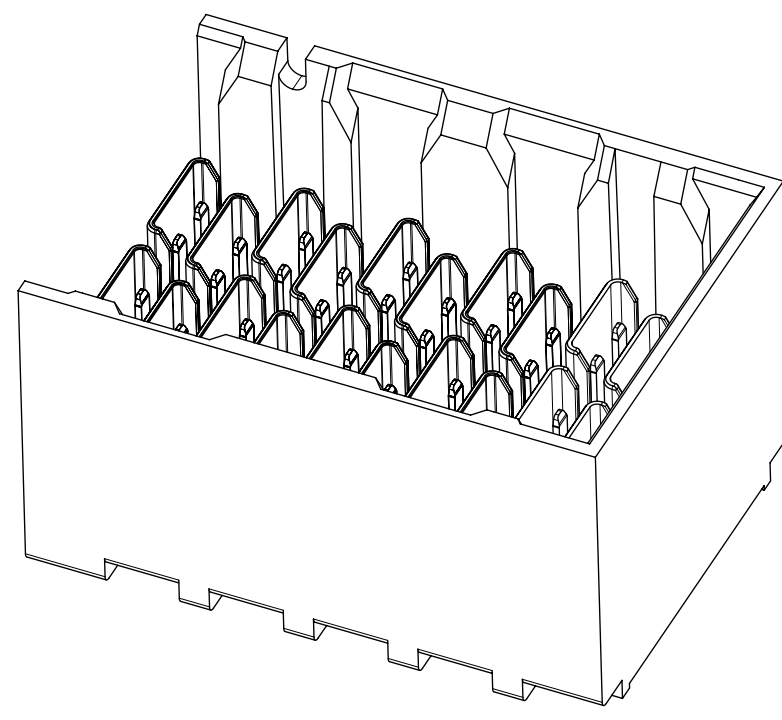


DUAL END WALL OPTION

THIS DRAWING CONTAINS INFORMATION THAT IS PROPRIETARY TO MOLEX ELECTRONIC TECHNOLOGIES, LLC AND SHOULD NOT BE USED WITHOUT WRITTEN PERMISSION

MIGRATED TO NX	EC NO: 177983	2017/09/13	GENERAL TOLERANCES (UNLESS SPECIFIED)	DIMENSION UNITS	SCALE	<b>molex</b> <sup>®</sup>	
	DRWN: TMARRI	2018/07/12		MM	4:1		
	CHKD: DWLEED01	2018/07/12		ANGULAR TOL ± 0.5 °			IMPEL 2 PAIR BACKPLANE UNGUIDED ASSEMBLY SALES DRAWING
	REV: APPR: DWLEED01			4 PLACES ±			
			3 PLACES ±	DRWN BY	DATE	PRODUCT CUSTOMER DRAWING	
			2 PLACES ± 0.13	BJANOWIAK	2012/12/06		
			1 PLACE ± 0.25	CHKD BY	DATE		
			0 PLACES ±	APPR BY	DATE	SERIES MATERIAL NUMBER CUSTOMER 171745 SEE CHART GENERAL MARKET	
			DRAFT WHERE APPLICABLE MUST REMAIN WITHIN DIMENSIONS	JBINGHAM	2014/12/29		
				DRAWING SIZE	THIRD ANGLE PROJECTION	DOCUMENT NUMBER DOC TYPE DOC PART SHEET NUMBER SD-171745-0001 PSD 001 4 OF 6	
				C			

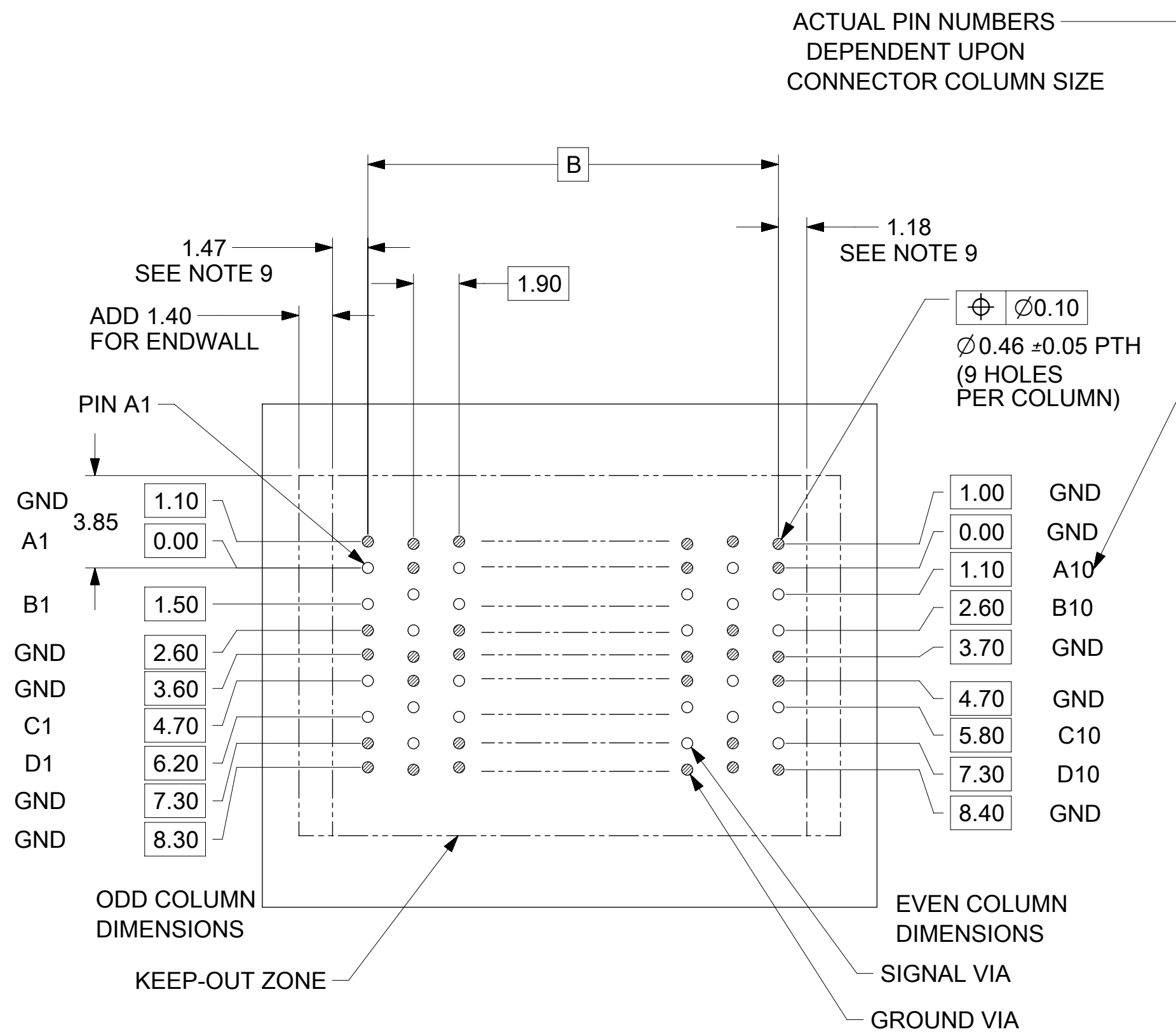
MATERIAL NUMBER	NUMBER OF COLUMNS	NUMBER OF DIFF PAIR	DIM "A"	DIM "B"	DIM "C"	DIM "P"	PTH $\phi$
171745-1834	8	16	17.20	13.30	1.10	4.90	0.46±0.05
171745-1835	8	16	17.20	13.30	1.10	5.50	0.46±0.05
171745-1837	8	16	17.20	13.30	1.20	4.90	0.36±0.05
171745-1838	8	16	17.20	13.30	1.20	5.50	0.36±0.05
171745-1134	10	20	21.00	17.10	1.10	4.90	0.46±0.05
171745-1135	10	20	21.00	17.10	1.10	5.50	0.46±0.05
171745-1137	10	20	21.00	17.10	1.20	4.90	0.36±0.05
171745-1138	10	20	21.00	17.10	1.20	5.50	0.36±0.05
171745-1234	12	24	24.80	20.90	1.10	4.90	0.46±0.05
171745-1235	12	24	24.80	20.90	1.10	5.50	0.46±0.05
171745-1237	12	24	24.80	20.90	1.20	4.90	0.36±0.05
171745-1238	12	24	24.80	20.90	1.20	5.50	0.36±0.05
171745-1634	16	32	32.40	28.50	1.10	4.90	0.46±0.05
171745-1635	16	32	32.40	28.50	1.10	5.50	0.46±0.05
171745-1637	16	32	32.40	28.50	1.20	4.90	0.36±0.05
171745-1638	16	32	32.40	28.50	1.20	5.50	0.36±0.05



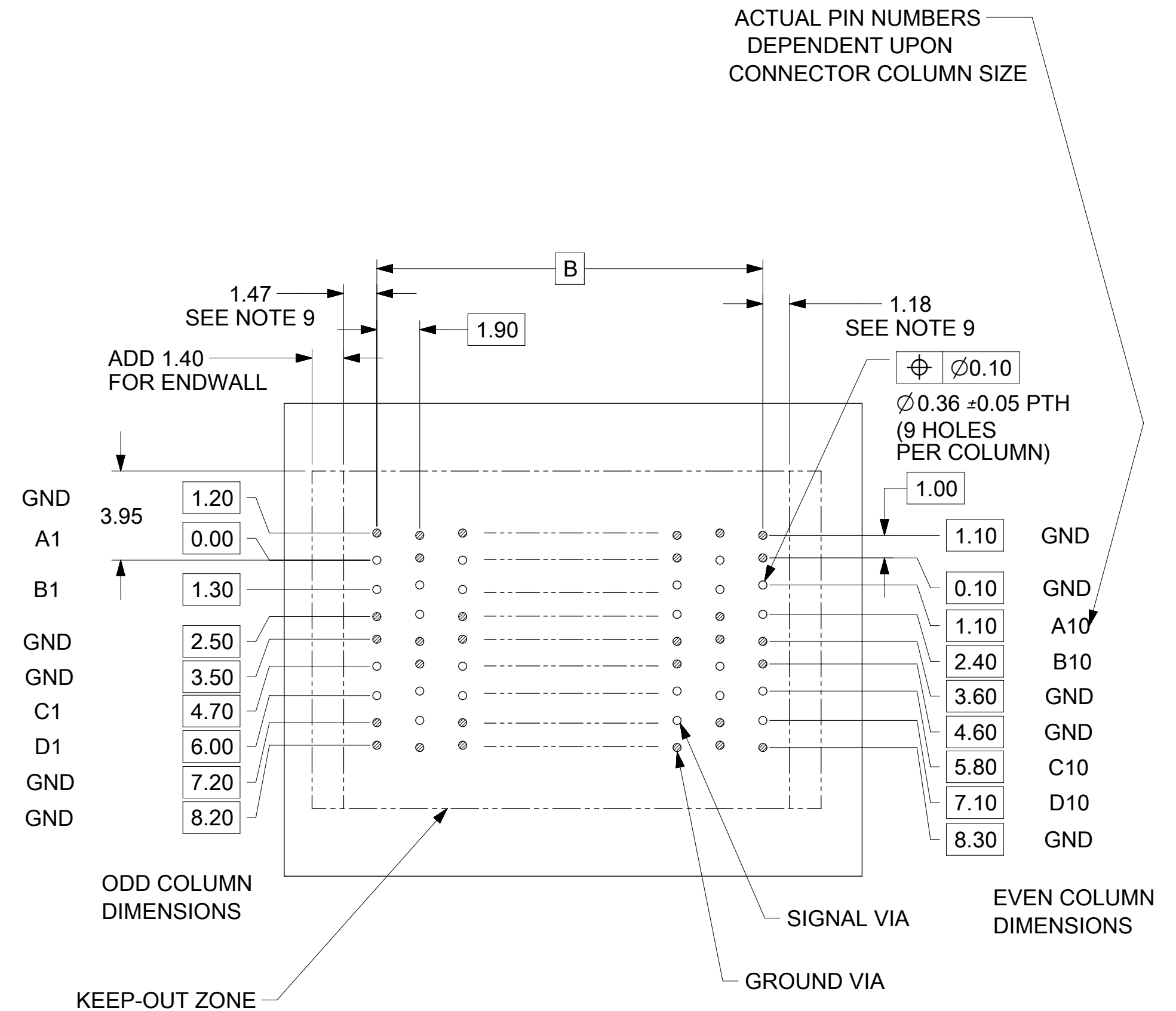
RIGHT END WALL OPTION

THIS DRAWING CONTAINS INFORMATION THAT IS PROPRIETARY TO MOLEX ELECTRONIC TECHNOLOGIES, LLC AND SHOULD NOT BE USED WITHOUT WRITTEN PERMISSION

MIGRATED TO NX EC NO: 177983 DRWN: TMARRI CHKD: DWLEED1 REV / APPR: DWLEED1	2017/09/13	2018/07/12	2018/07/12	GENERAL TOLERANCES (UNLESS SPECIFIED) ANGULAR TOL ± 0.5 ° 4 PLACES ± 3 PLACES ± 2 PLACES ± 0.13 1 PLACE ± 0.25 0 PLACES ±	DIMENSION UNITS	SCALE	<p>IMPEL 2 PAIR BACKPLANE UNGUIDED ASSEMBLY SALES DRAWING</p>		
					MM	4:1			
					DRWN BY	DATE		BJANOWIAK	2012/12/06
					CHKD BY	DATE			
					APPR BY	DATE	PRODUCT CUSTOMER DRAWING		
					JBINGHAM	2014/12/29			
					DRAWING SIZE	THIRD ANGLE PROJECTION	SERIES MATERIAL NUMBER CUSTOMER		
					C		171745 SEE CHART GENERAL MARKET		
							DOCUMENT NUMBER DOC TYPE DOC PART SHEET NUMBER		
							SD-171745-0001 PSD 001 5 OF 6		



BACKPLANE HOLE PATTERN FOR  $\varnothing 0.46$  PTH (CONNECTOR SIDE)



BACKPLANE HOLE PATTERN FOR  $\varnothing 0.36$  PTH (CONNECTOR SIDE)

THIS DRAWING CONTAINS INFORMATION THAT IS PROPRIETARY TO MOLEX ELECTRONIC TECHNOLOGIES, LLC AND SHOULD NOT BE USED WITHOUT WRITTEN PERMISSION

MIGRATED TO NX EC NO: 177983 DRWN: TMARRI CHKD: DWLEED01 REV / APPR: DWLEED01	GENERAL TOLERANCES (UNLESS SPECIFIED)		DIMENSION UNITS	SCALE	<b>molex</b>  IMPEL 2 PAIR BACKPLANE UNGUIDED ASSEMBLY SALES DRAWING					
	ANGULAR TOL $\pm 0.5^\circ$		MM	5:1						
	4 PLACES $\pm$	3 PLACES $\pm$	DRWN BY	DATE						
	2 PLACES $\pm 0.13$	1 PLACE $\pm 0.25$	BJANOWIAK	2012/12/06						
0 PLACES $\pm$	DRAFT WHERE APPLICABLE MUST REMAIN WITHIN DIMENSIONS	CHKD BY	DATE	APPR BY	DATE	SERIES	MATERIAL NUMBER	CUSTOMER		
A2	C	JBINGHAM	2014/12/29	171745	SEE CHART	GENERAL MARKET	DOCUMENT NUMBER	DOC TYPE	DOC PART	SHEET NUMBER
				SD-171745-0001	PSD	001				6 OF 6