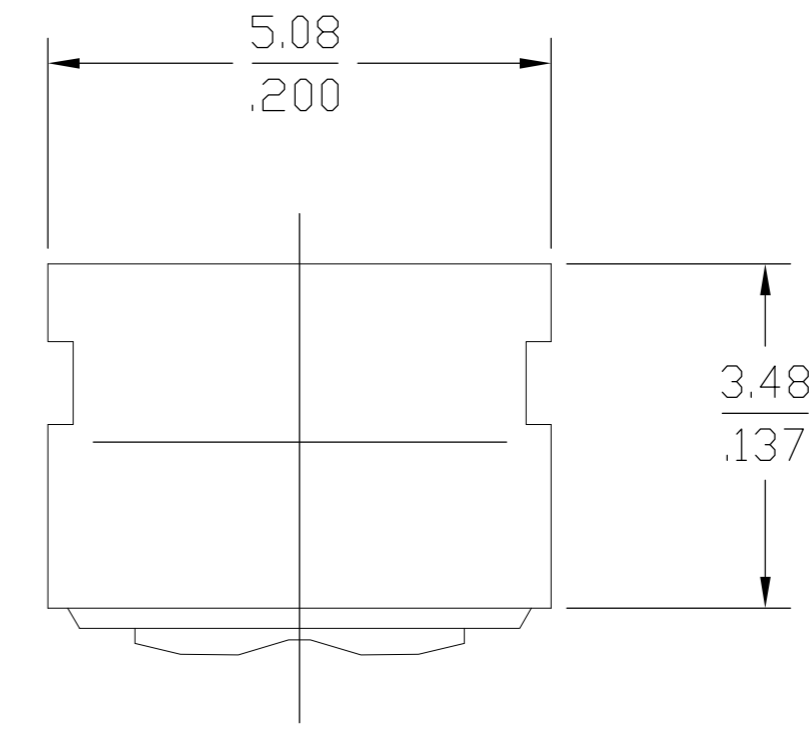
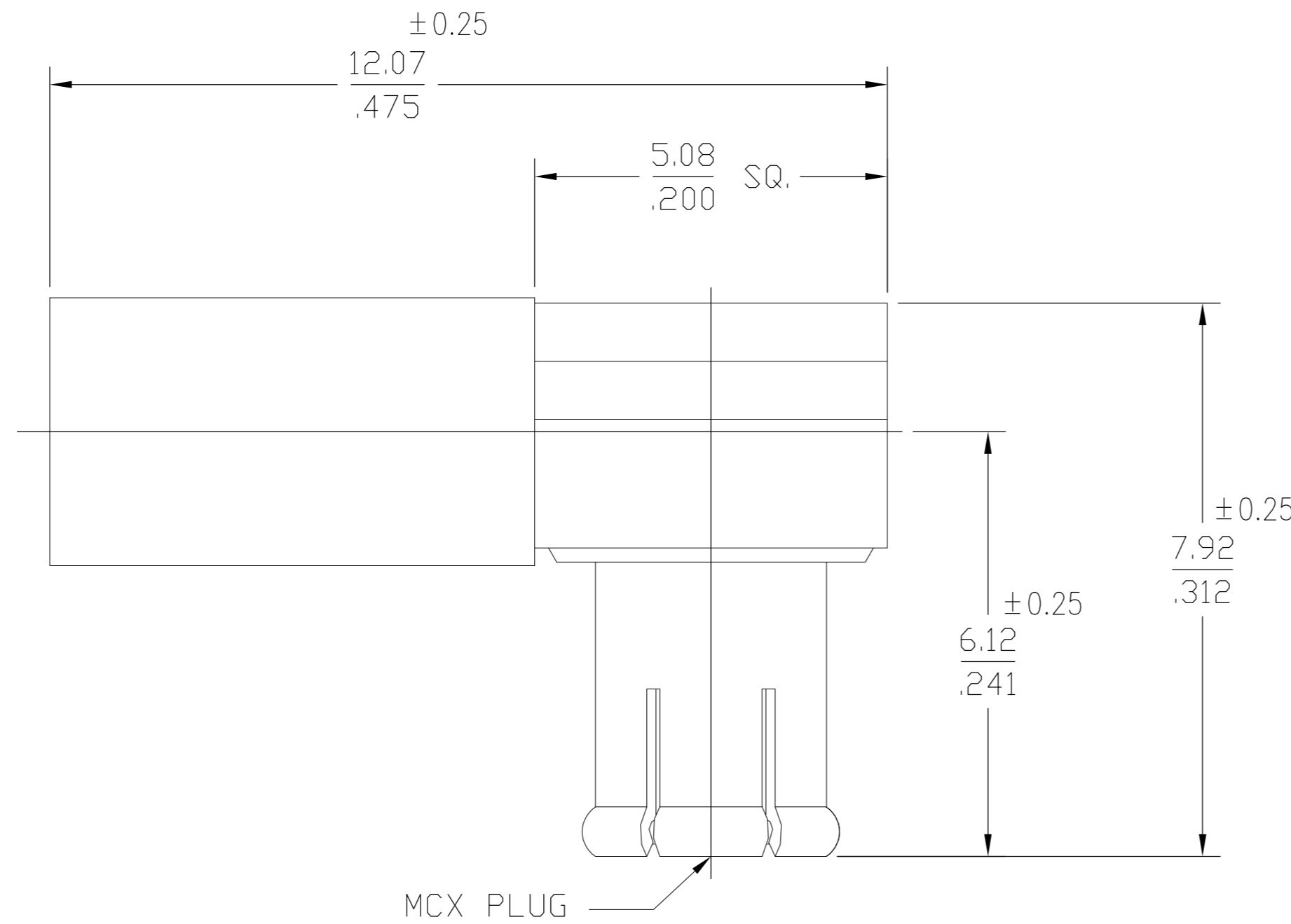


THIS DRAWING IS UNPUBLISHED. RELEASED FOR PUBLICATION
 © COPYRIGHT BY TYCO ELECTRONICS CORPORATION. ALL RIGHTS RESERVED.

LOC		DIST		REVISIONS			
AJ	00	P	LTR	DESCRIPTION	DATE	DWN	APVD
		B		REV PER ECO 07-027463	17DEC2007	DW	JL



1. SEE INSTRUCTION SHEET 408-4714

1060604-1
PART NUMBER

ELECTRICAL	MECHANICAL	ENVIRONMENTAL
Nominal Impedance (Ohms) <u>50</u>	Force to Engage (lbs MAX) <u>3.4 (1.1 TYP)</u>	TEMPERATURE RATING <u>-65° TO +165°C</u>
Frequency Range (GHz) <u>DC to 6</u>	& Disengage (lbs) <u>1.77 MIN 4.5 MAX</u>	Vibration MIL-STD-202, Method 204, Condition B
Volt Rating (VRMS MAX) @ Sea Level <u>335</u>	Center Contact Captivation Designed to Maintain MCX Interface When Mating	Thermal Shock MIL-STD-202, Method 102, Condition B
VSWR <u>1.25 MAX @ 4 GHz</u>		Moisture Resistance MIL-STD-202, Method 106D, 10 Cycles, 96 Hours
<u>1.35 MAX @ 6 GHz</u>		Corrosion - MIL-STD-202, Method 101, Condition B
Insertion Loss <u>.1dB MAX/1000 MHz</u>		
Corona, 70,000 Ft (VRMS MIN) <u>250</u>		
Dielectric Withstanding Voltage (VRMS MIN) @ Sea Level <u>1000</u>		
Contact Resistance (Milliohms MAX) Center Contact <u>5.0</u>		
Outer Contact <u>1.0</u>		
Cable to Housing <u>1.0</u>		
RF High Potential @ Sea Level (VRMS MIN @ 5 MHz) <u>670</u>		
I.R.(Megohms MIN) <u>10,000</u>		

DESIGNED FOR USE WITH RD 316/U FLEX CABLE DOUBLE BRAIDED
CABLE ENTRY DIAMETER MINIMUM
CONTACT <u>.024 SLOT</u>
HOUSING <u>.067</u>
FERRULE <u>.137</u>

XX.X = mm
.XXX = in

HOUSING CAP CENTER CONTACT	BRASS PER QQ-B-626 COMP. 360	NICKEL PLATE PER QQ-N-290
DIELECTRIC	PTFE FLUOROCARBON PER ASTM-D-1457	N/A
CONTACT FINGERS	BERYLLIUM COPPER PER ASTM B 196, ALLOY C17300, CONDITION H	GOLD PLATE PER MIL-G-45204
FERRULE	COPPER OR BRASS ALLOY ROCKWELL F65 MAX	NICKEL PLATE PER QQ-N-290
COMPONENT	MATERIAL	FINISH
THIS DRAWING IS A CONTROLLED DOCUMENT.		
DIMENSIONS: mm	TOLERANCES UNLESS OTHERWISE SPECIFIED:	DWN TMD 1/16/95
0 PLC ± -	1 PLC ± -	CHK -
2 PLC ± 0.12 .005	3 PLC ± -	APVD -
4 PLC ± -	ANGLES ± 1°	PRODUCT SPEC -
MATERIAL -	FINISH -	APPLICATION SPEC -
Tyco Electronics Corporation Harrisburg, PA 17105-3608		NAME
MCX RIGHT ANGLE CABLE PLUG- CRIMP ATTACHMENT (5837-5010-10)		SIZE CAGE CODE DRAWING NO RESTRICTED TO
A2 00779 C=1060904-1		SCALE 1:1 SHEET 1 OF 1 REV B
CUSTOMER DRAWING		