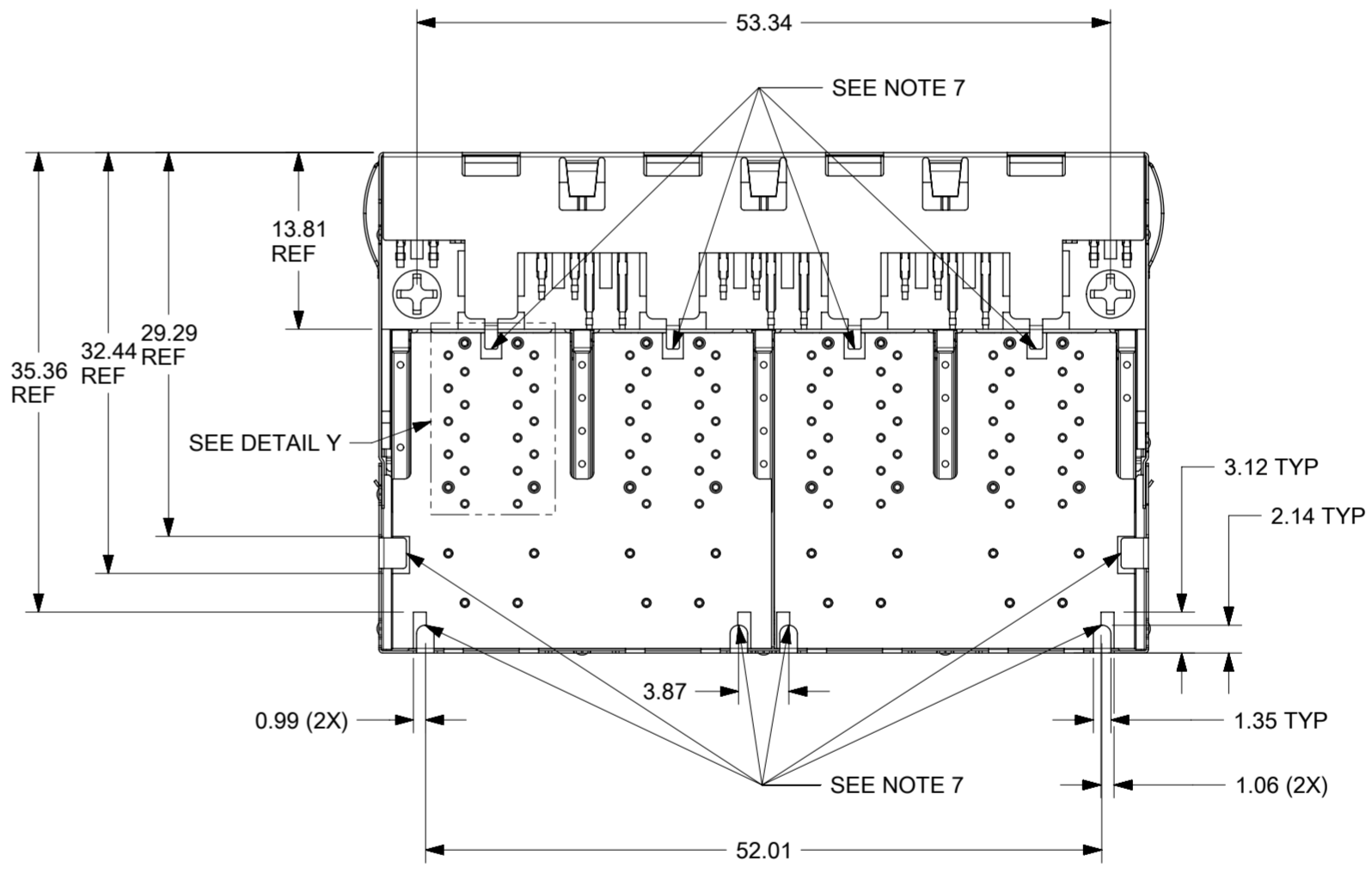
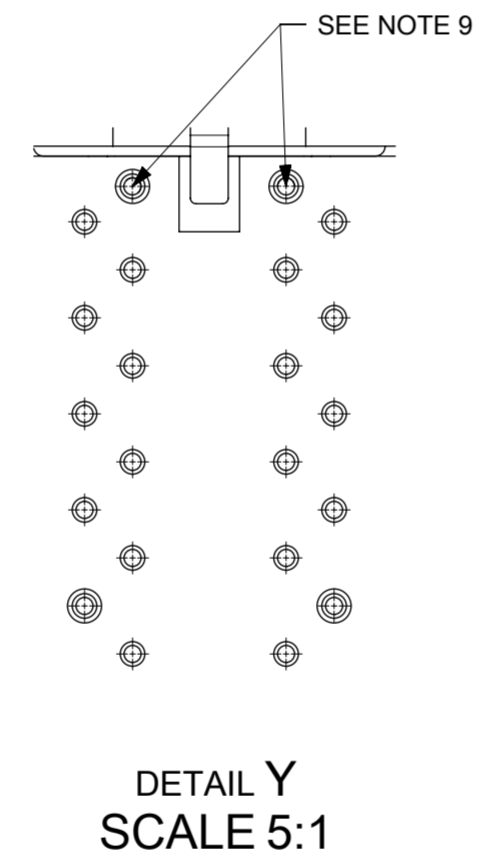
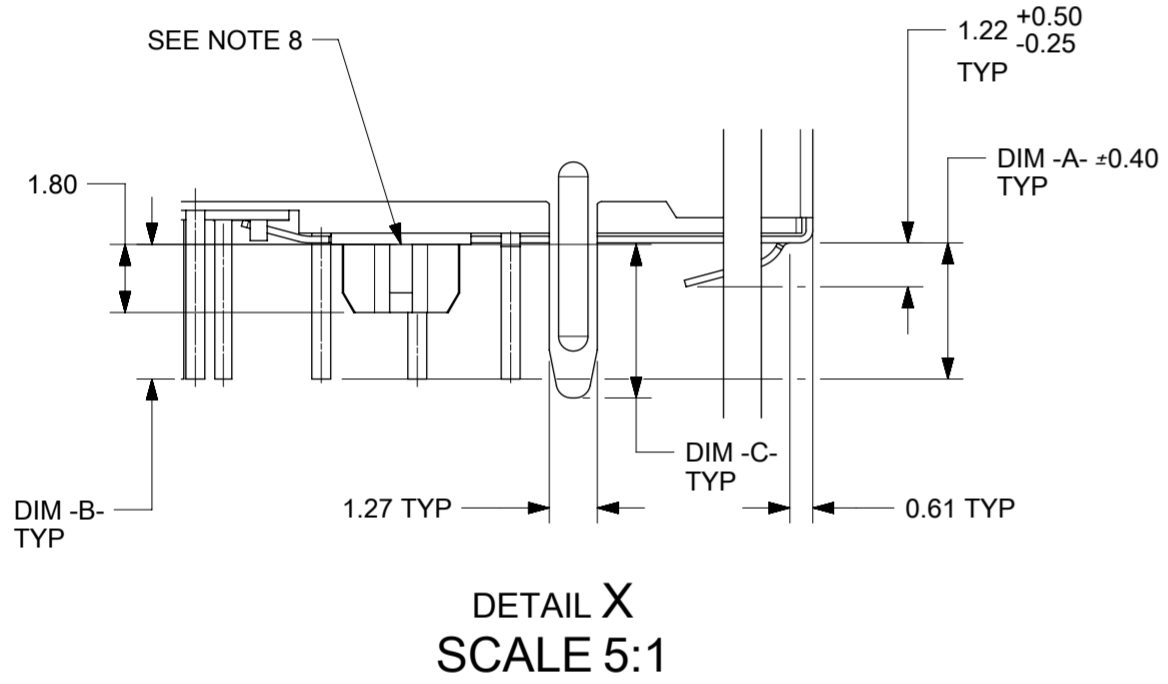
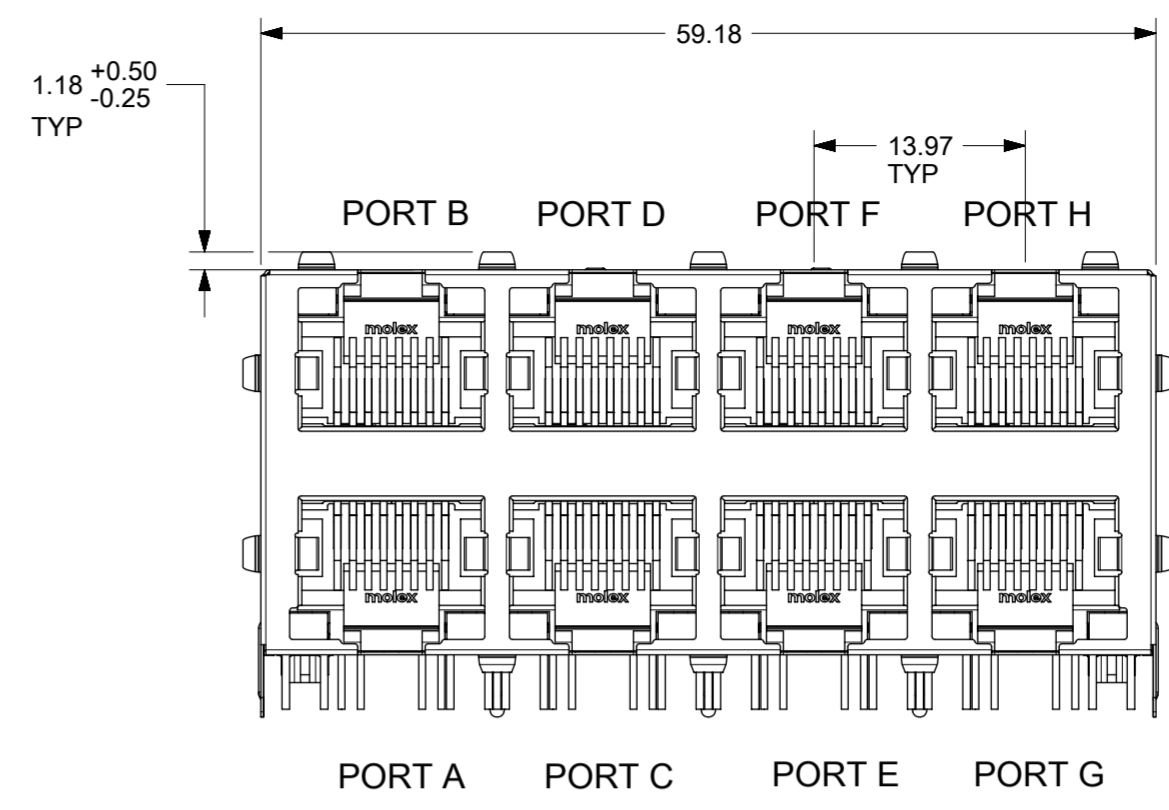
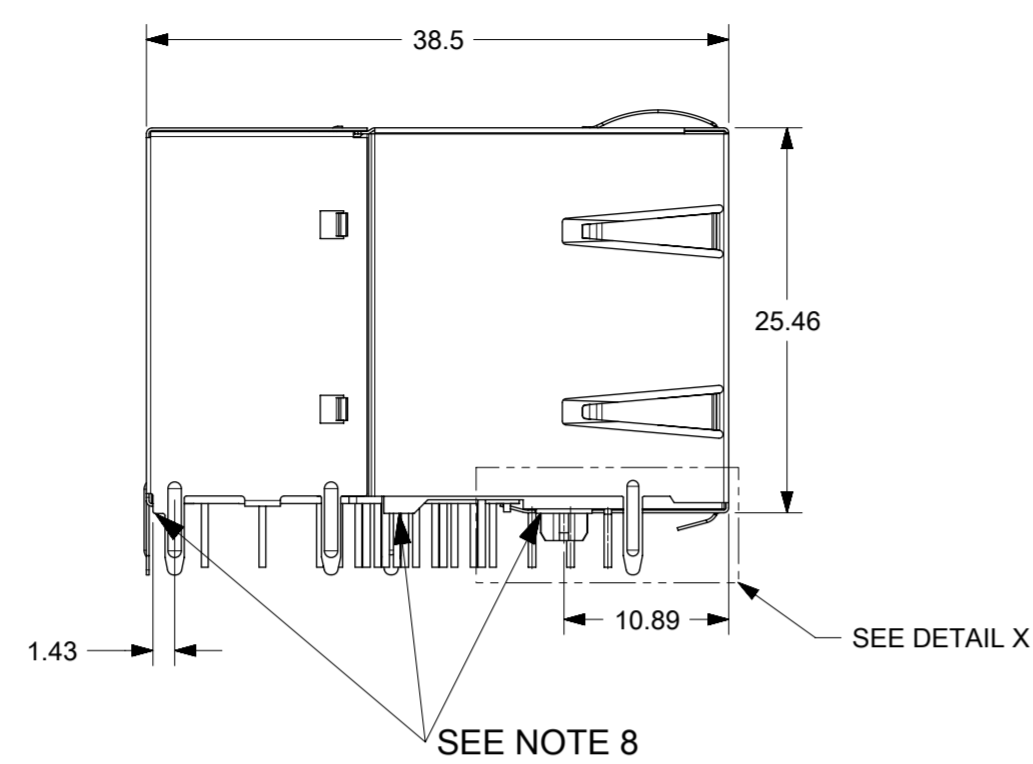


GIGABIT 8 PORT MAGNETIC JACK WITH LED's
 AND INTEGRATED POWER OVER ETHERNET TRANSFORMERS
 ACCORDING TO IEEE Std802.3-2012 FOR PSE (30 WATT) APPLICATIONS



- NOTES:
- 1 - SHIELD MATERIAL: BRASS; PLATING: NICKEL PRE-PLATING
 - 2 - PLASTIC MATERIAL: POLYESTER (PBT) BLACK, 30%GR, UL 94V-0
 - 3 - RJ45 TERMINALS MATERIAL: COPPER ALLOY
 CONTACT PLATING: 0.76 MICROMETER GOLD OVER 1.9 MICROMETER NICKEL
 PHY TERMINALS: TIN PLATED
 - 4 - MATING INTERFACE ACCORDING TO IEC 60603-7
 - 5 - PRODUCT SPECIFICATION: PS-85732-001
 - 6 - PACKAGING SPECIFICATION: PK-85735-001
 - 7 - SYSTEM BOARD TRACES WITHOUT INSULATION NOT ALLOWED IN THE SOLDERED AREA (SHILED SOLDERED WITH PCB PAD) TO AVOID SHORTS TO SHIELD
 - 8 - STAND OFF TO SYSTEM BOARD
 - 9 - STUBBED PINS -> AVOID TO ROUTE TRACES OR TO PLACE ANY VIAS OR PADS BELOW THESE PINS ON SYSTEM BOARD
 - 10 - FOR MAGNETICS AND LED INFORMATION SEE SPEC PS-85732-001

REVISION CHART	
REV	CHANGE CONTENT
C1	85735-1101 SHORTEN SHIELD PIN LENGTH

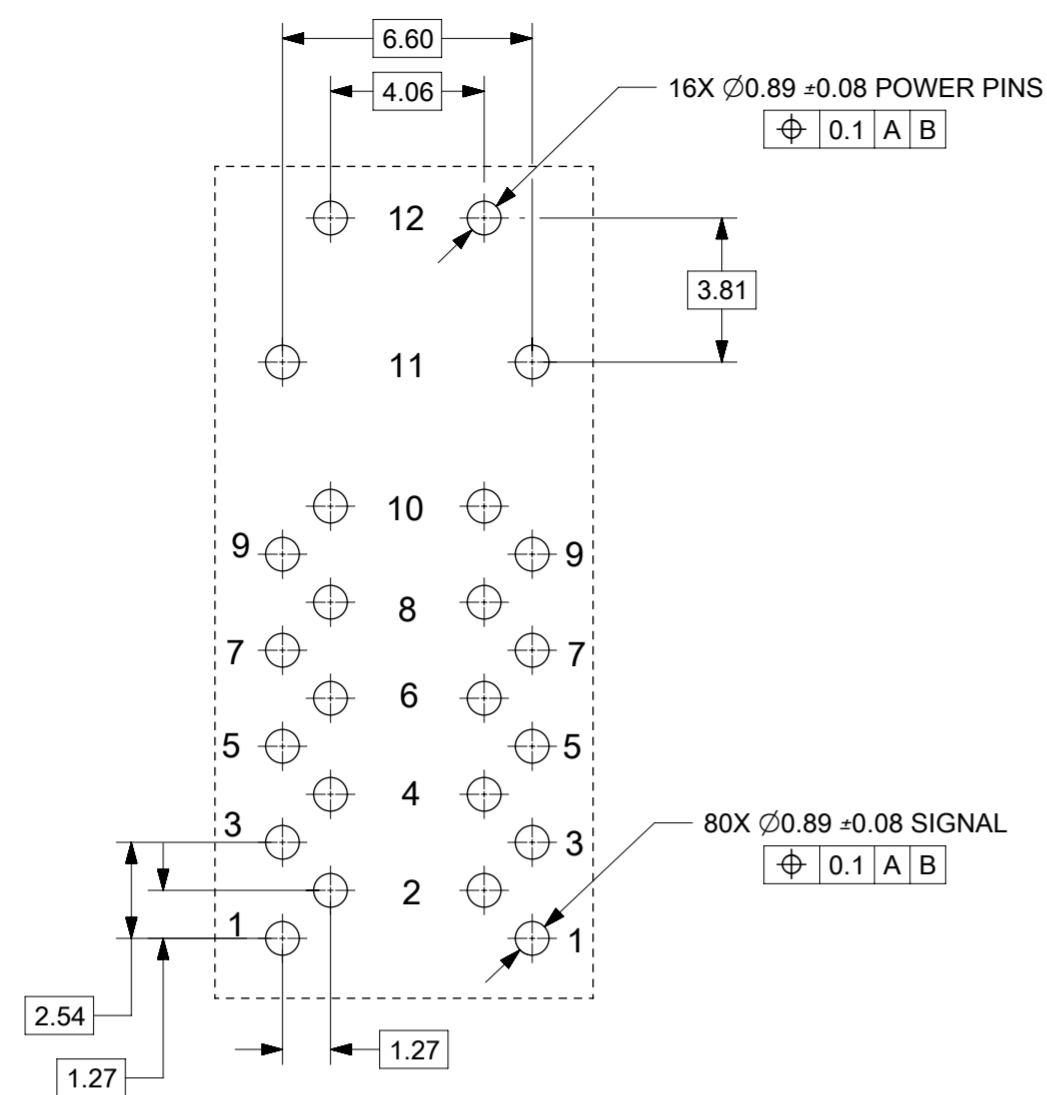
SYMBOLS		THIS DRAWING CONTAINS INFORMATION THAT IS PROPRIETARY TO MOLEX ELECTRONIC TECHNOLOGIES, LLC AND SHOULD NOT BE USED WITHOUT WRITTEN PERMISSION	
▽ = 0	DIMENSION UNITS	SCALE	CURRENT REV DESC: SEE REV CHART
▽ = 0	mm	2:1	
▽ = 0	GENERAL TOLERANCES (UNLESS SPECIFIED)		
▽ = 0	ANGULAR TOL ± 0.5°		
▽ = 0	4 PLACES ±	EC NO: 621505	
▽ = 0	3 PLACES ±	DRWN: AFENG02	2019/07/29
▽ = 0	2 PLACES ± 0.25	CHK'D: KLANG	2019/07/31
▽ = 0	1 PLACE ± 0.5	APPR: KLANG	2019/07/31
▽ = 0	0 PLACES ±	INITIAL REVISION:	
▽ = 0	DRAFT WHERE APPLICABLE MUST REMAIN WITHIN DIMENSIONS	DRWN: MMANGARUDOV	2011/12/14
▽ = 0		APPR: SSTEINKE	2012/12/07
	THIRD ANGLE PROJECTION	DRAWING	SERIES
		A2-SIZE	85735
		SEE PN TABLE	CUSTOMER
		GENERAL MARKET	SHEET NUMBER
			1 OF 4

molex

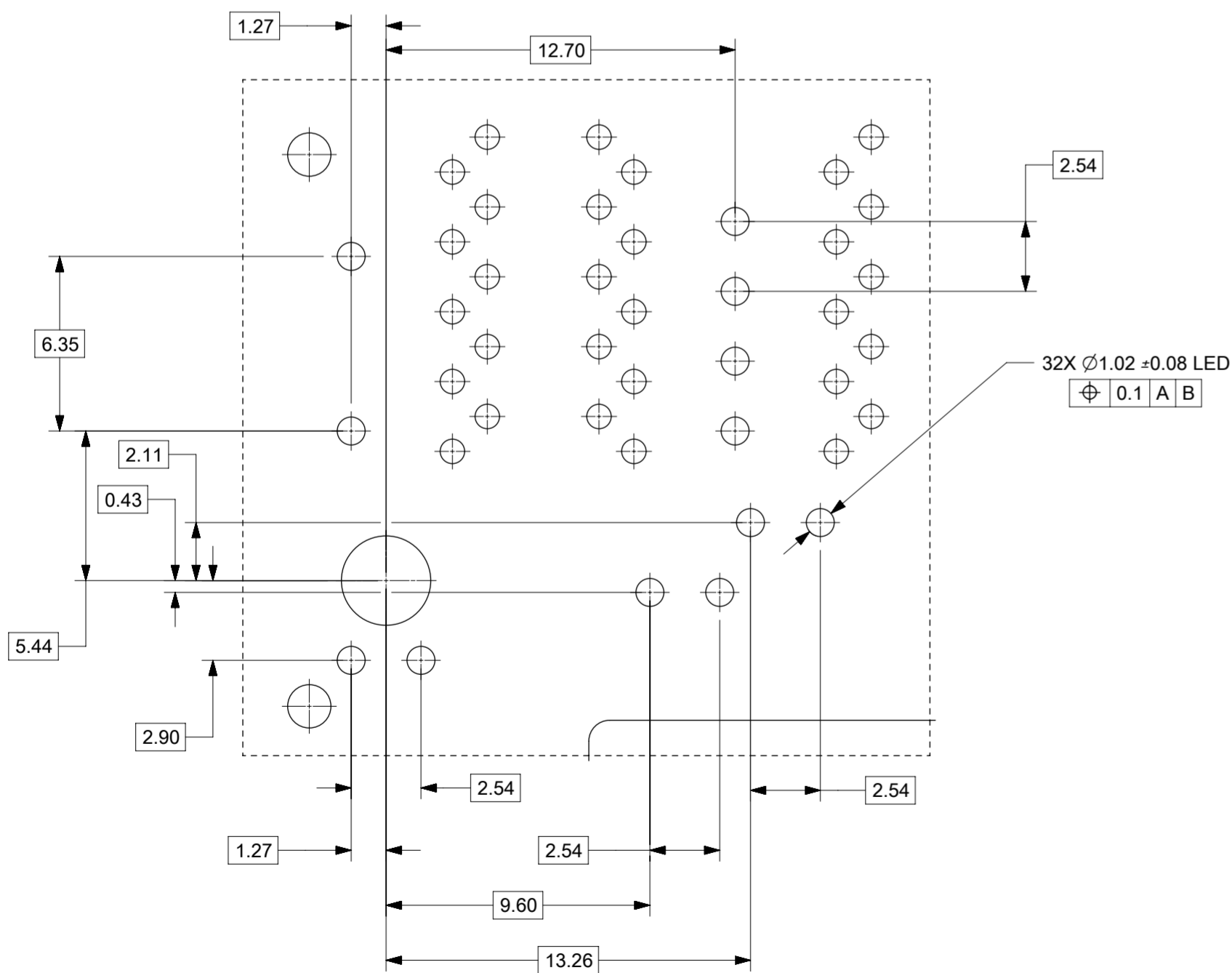
GIGABIT MAGNETIC JACK
 POE PLUS ENABLED 2X4 LED

PRODUCT CUSTOMER DRAWING

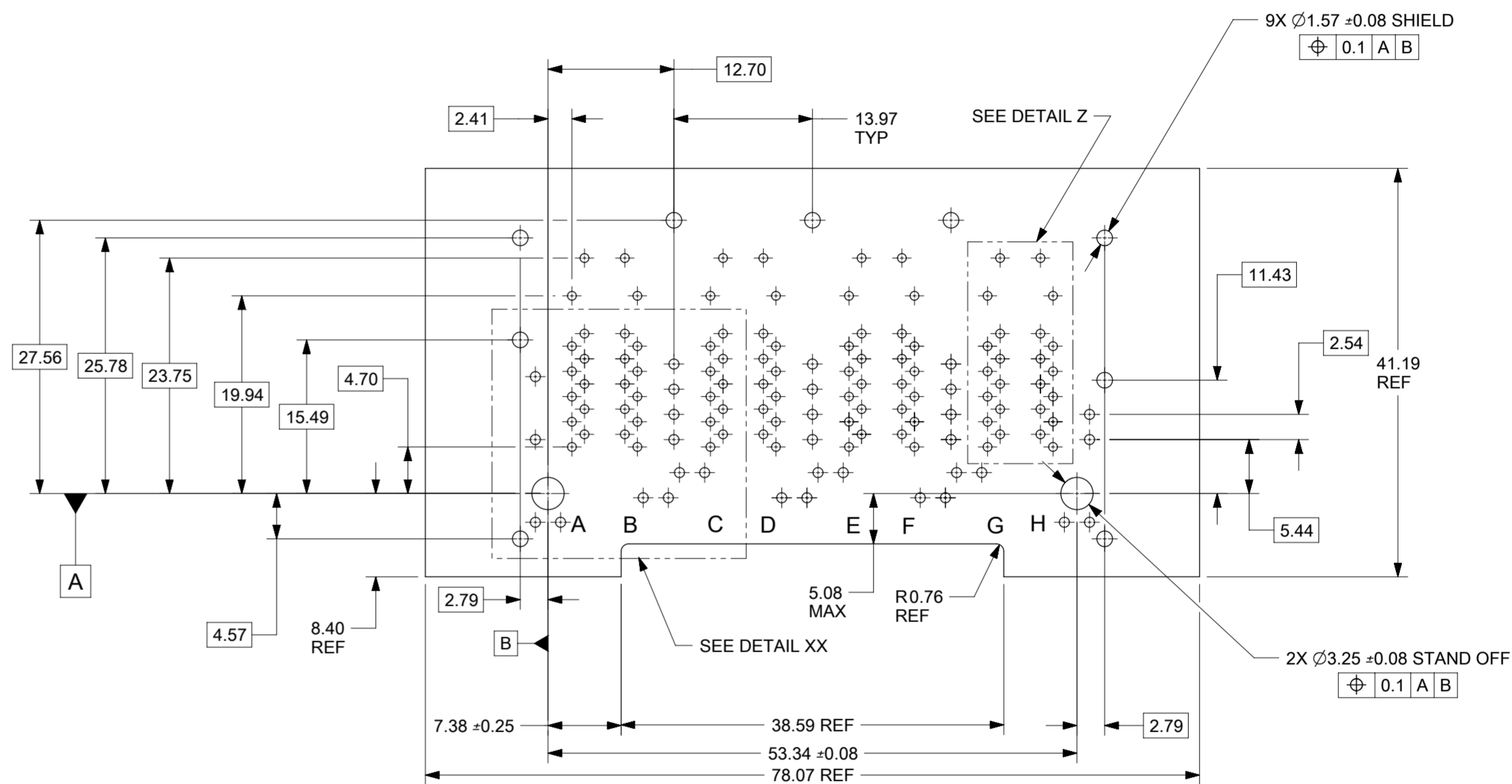
DOCUMENT NUMBER	DOC TYPE	DOC PART	REVISION
SD-85735-101	PSD	001	C1



DETAIL Z
SCALE 5:1



DETAIL XX
SCALE 5:1



PCB LAYOUT: COMPONENT SIDE

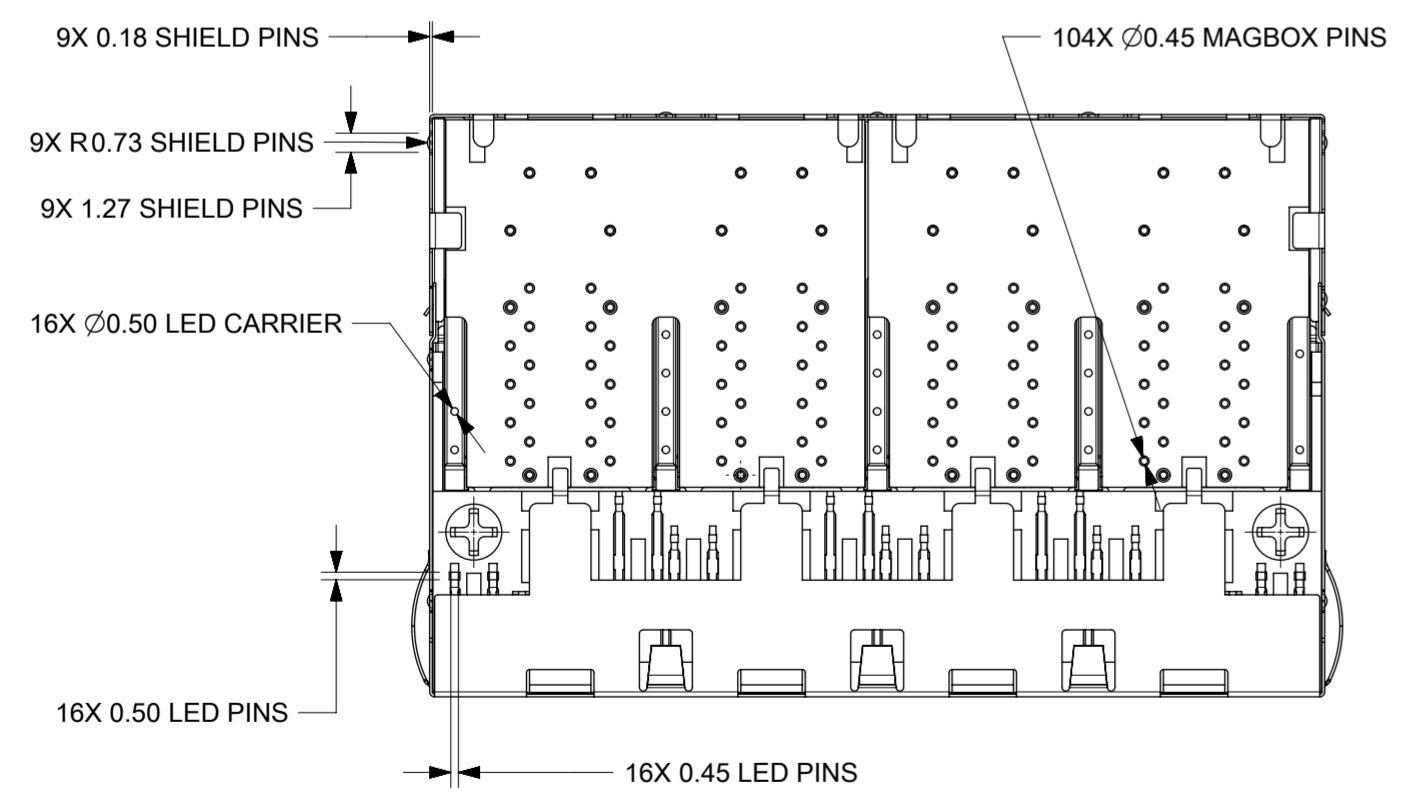
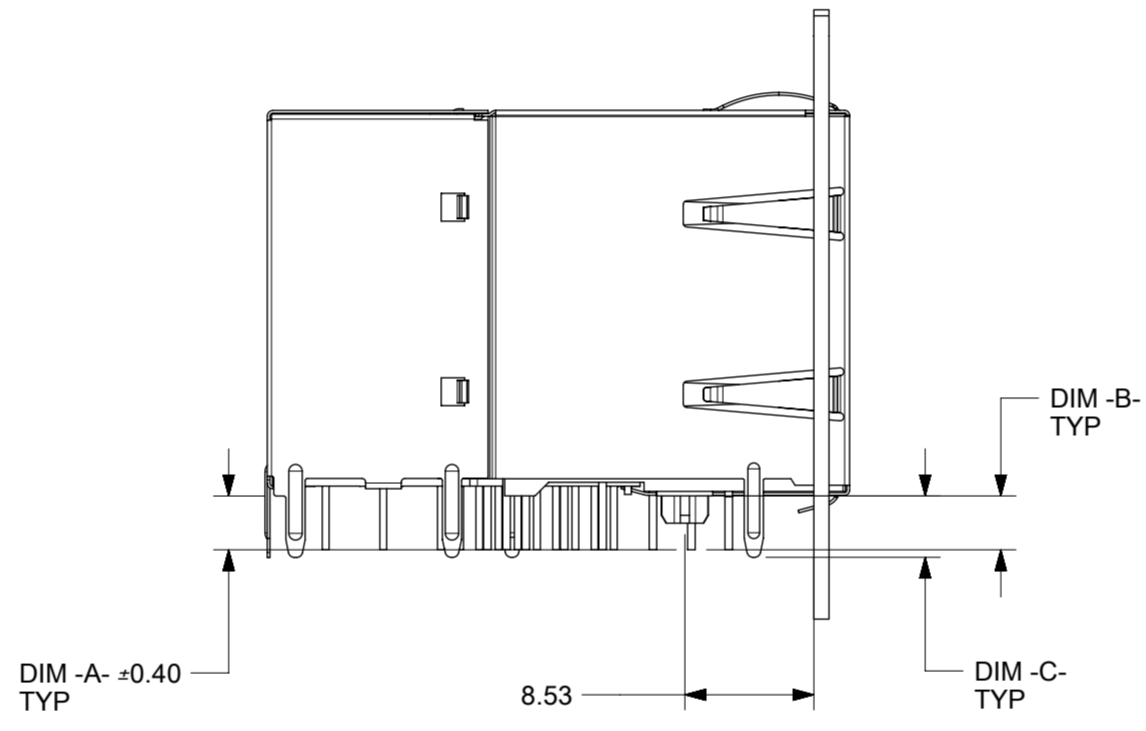
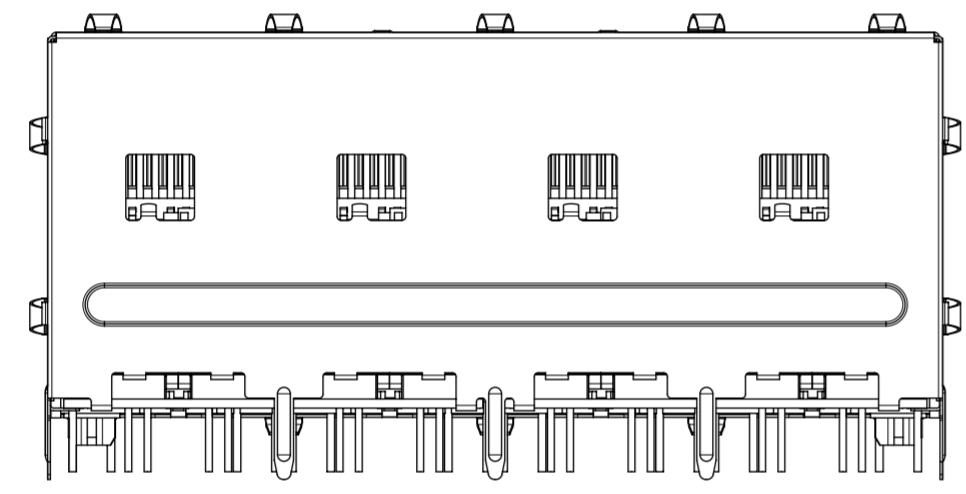
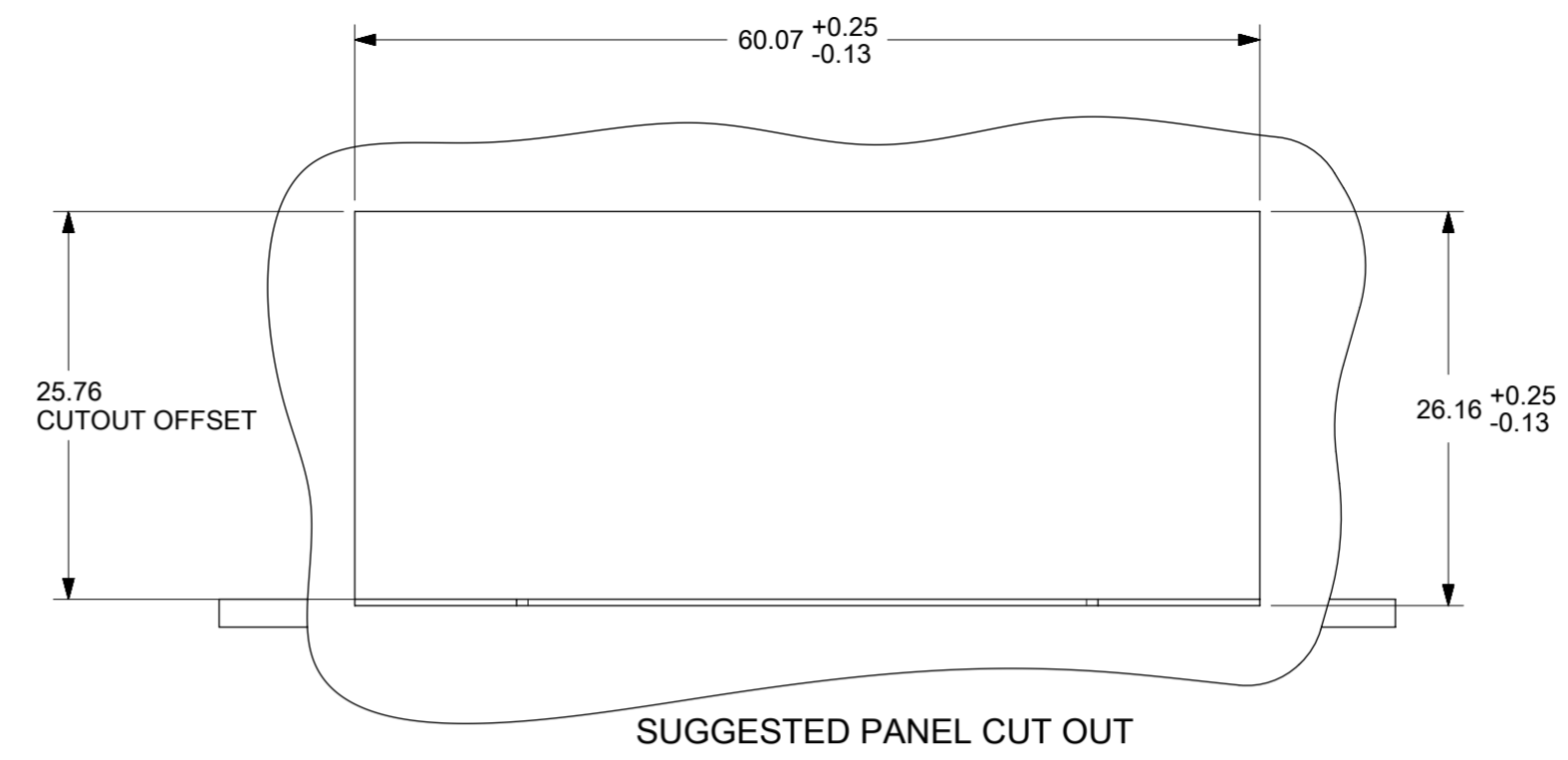
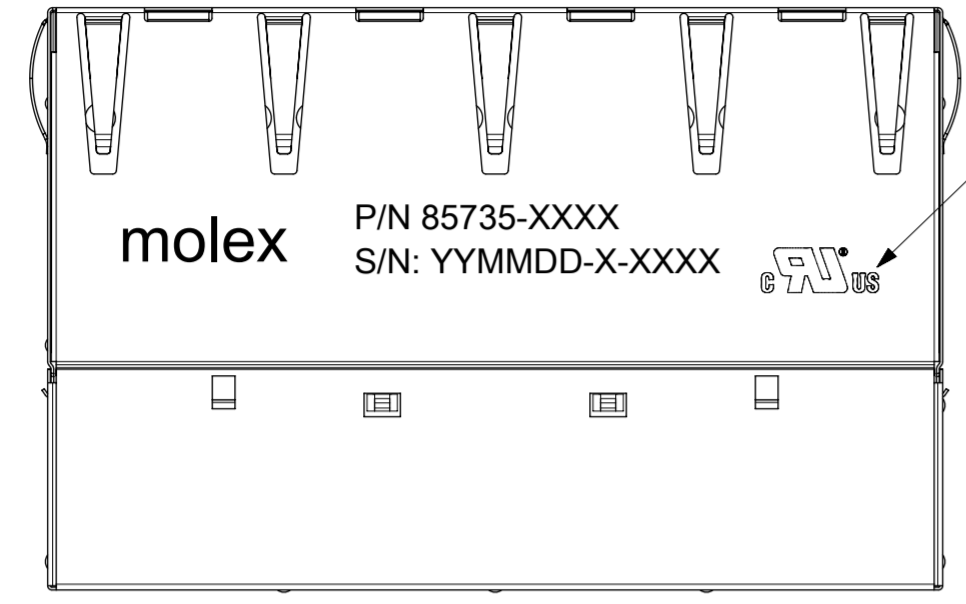
SYMBOLS	THIS DRAWING CONTAINS INFORMATION THAT IS PROPRIETARY TO MOLEX ELECTRONIC TECHNOLOGIES, LLC AND SHOULD NOT BE USED WITHOUT WRITTEN PERMISSION		
	DIMENSION UNITS	SCALE	CURRENT REV DESC: SEE REV CHART
▽ = 0	mm	2:1	EC NO: 621505 DRWN: AFENG02 2019/07/29 CHK'D: KLANG 2019/07/31 APPR: KLANG 2019/07/31
▽ = 0	GENERAL TOLERANCES (UNLESS SPECIFIED)		
▽ = 0	ANGULAR TOL ± 0.5°		INITIAL REVISION: DRWN: MMANGARUDOV 2011/12/14 APPR: SSTEINKE 2012/12/07
▽ = 0	4 PLACES ±		
▽ = 0	3 PLACES ±		DOCUMENT NUMBER: SD-85735-101 DOC TYPE: PSD DOC PART: 001 REVISION: C1
▽ = 0	2 PLACES ± 0.25		
▽ = 0	1 PLACE ± 0.5		MATERIAL NUMBER: SEE PN TABLE CUSTOMER: GENERAL MARKET SHEET NUMBER: 2 OF 4
▽ = 0	0 PLACES ±		
▽ = 0	DRAFT WHERE APPLICABLE MUST REMAIN WITHIN DIMENSIONS	THIRD ANGLE PROJECTION	DRAWING: A2-SIZE
▽ = 0		SERIES: 85735	

molex

GIGABIT MAGNETIC JACK
POE PLUS ENABLED 2X4 LED

PRODUCT CUSTOMER DRAWING

PRINTING
LED VERSION
P/N: 85735-XXXX
S/N: YYMMDD-CM-CONSECUTIVE NUMBER



PART NUMBER	UPPER & LOWER LED LEFT		UPPER & LOWER LED RIGHT		DIM-A-SIGNAL PINS	DIM-B-LED PINS	DIM-C-SHIELD PINS
	COLOUR 1	COLOUR 2	COLOUR 1	COLOUR 2			
857351001	COLOUR 1	GREEN	COLOUR 1	GREEN	3,56mm	3,56mm	4.06mm
	COLOUR 2	-	COLOUR 2	-			
857351101	COLOUR 1	GREEN	COLOUR 1	GREEN	2.40mm	2.40mm	2.40mm
	COLOUR 2	-	COLOUR 2	-			
857351002	COLOUR 1	GREEN	COLOUR 1	ORANGE	3,56mm	3,56mm	4.06mm
	COLOUR 2	-	COLOUR 2	-			
857351003	COLOUR 1	GREEN	COLOUR 1	GREEN	3,56mm	3,56mm	4.06mm
	COLOUR 2	ORANGE	COLOUR 2	-			
857351004	COLOUR 1	GREEN	COLOUR 1	GREEN	3,56mm	3,56mm	4.06mm
	COLOUR 2	ORANGE	COLOUR 2	ORANGE			
857351006	COLOUR 1	GREEN	COLOUR 1	YELLOW	3,56mm	3,56mm	4.06mm
	COLOUR 2	-	COLOUR 2	-			
857351007	COLOUR 1	GREEN	COLOUR 1	GREEN	3,56mm	3,56mm	4.06mm
	COLOUR 2	YELLOW	COLOUR 2	-			
857351008	COLOUR 1	GREEN	COLOUR 1	GREEN	3,56mm	3,56mm	4.06mm
	COLOUR 2	YELLOW	COLOUR 2	YELLOW			
857351012	COLOUR 1	YELLOW	COLOUR 1	GREEN	3,56mm	3,56mm	4.06mm
	COLOUR 2	GREEN	COLOUR 2	-			
857351013	COLOUR 1	YELLOW	COLOUR 1	YELLOW	3,56mm	3,56mm	4.06mm
	COLOUR 2	GREEN	COLOUR 2	GREEN			
857351014	COLOUR 1	YELLOW	COLOUR 1	GREEN	3,56mm	3,56mm	4.06mm
	COLOUR 2	-	COLOUR 2	-			

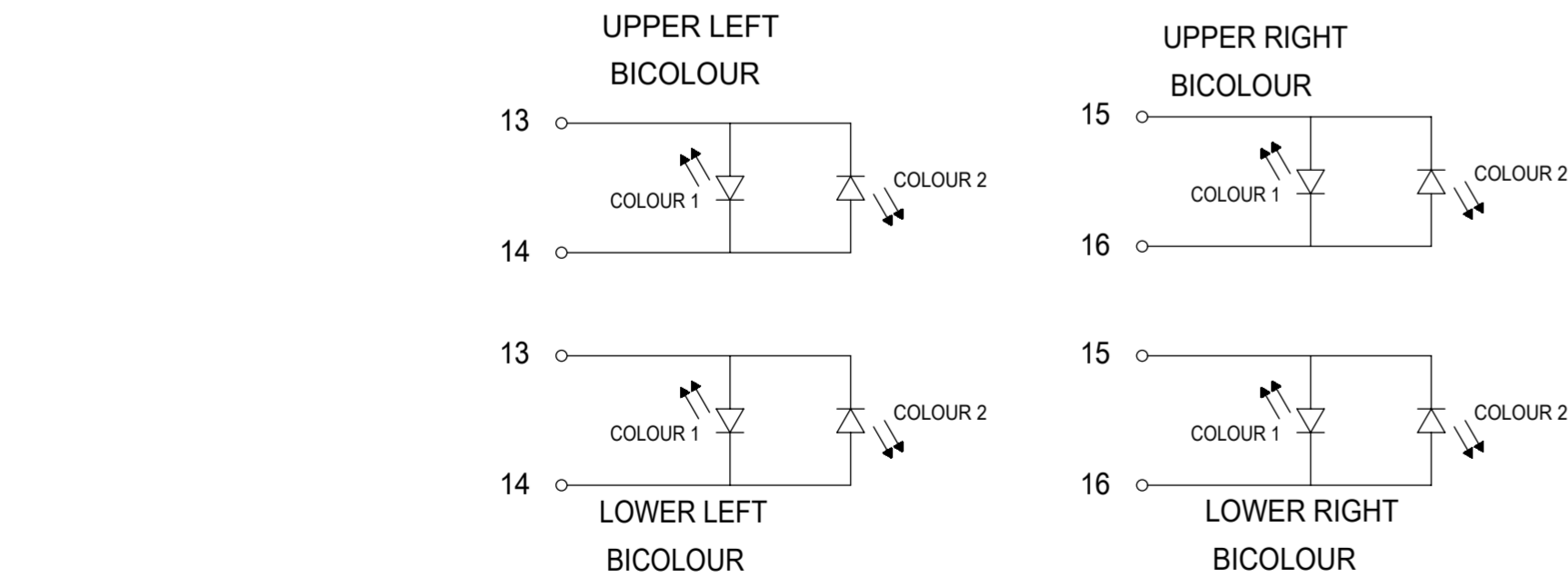
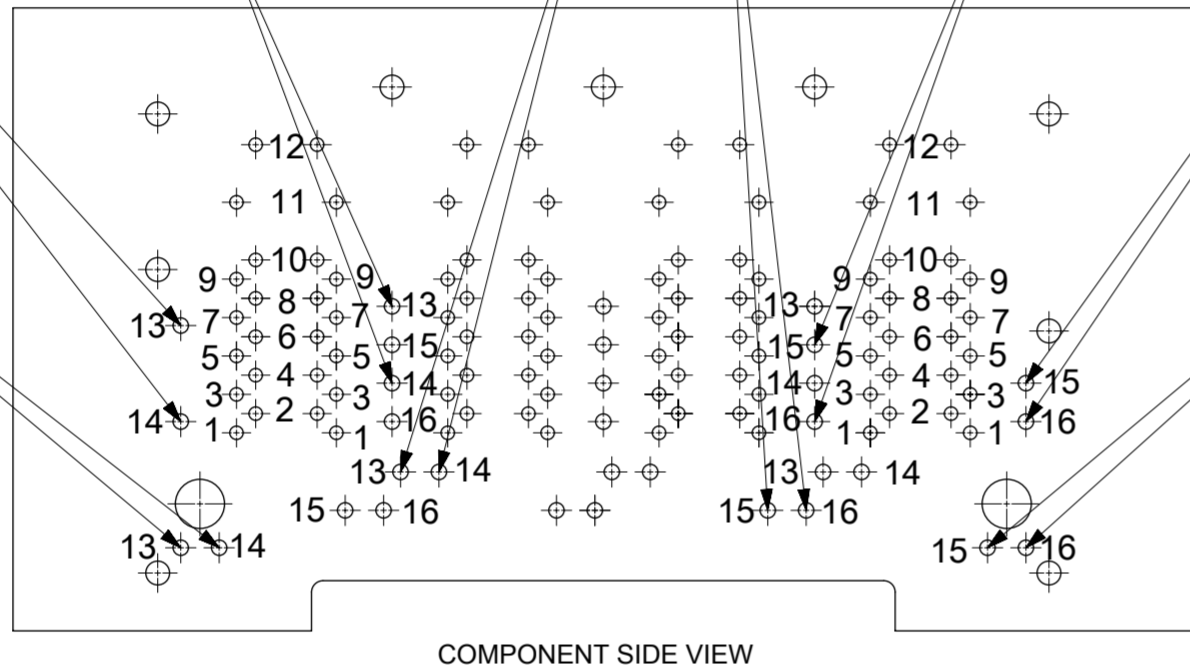
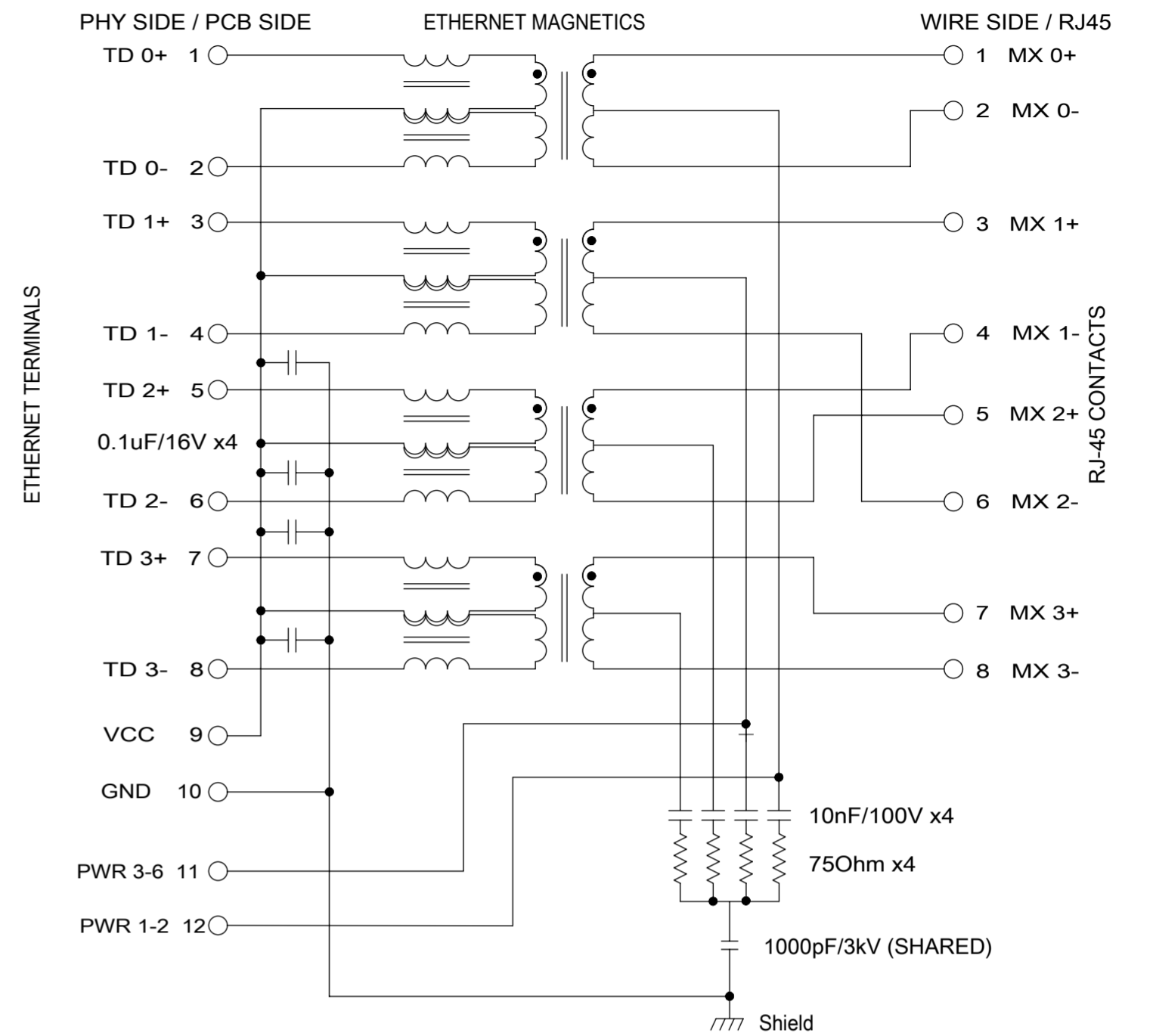
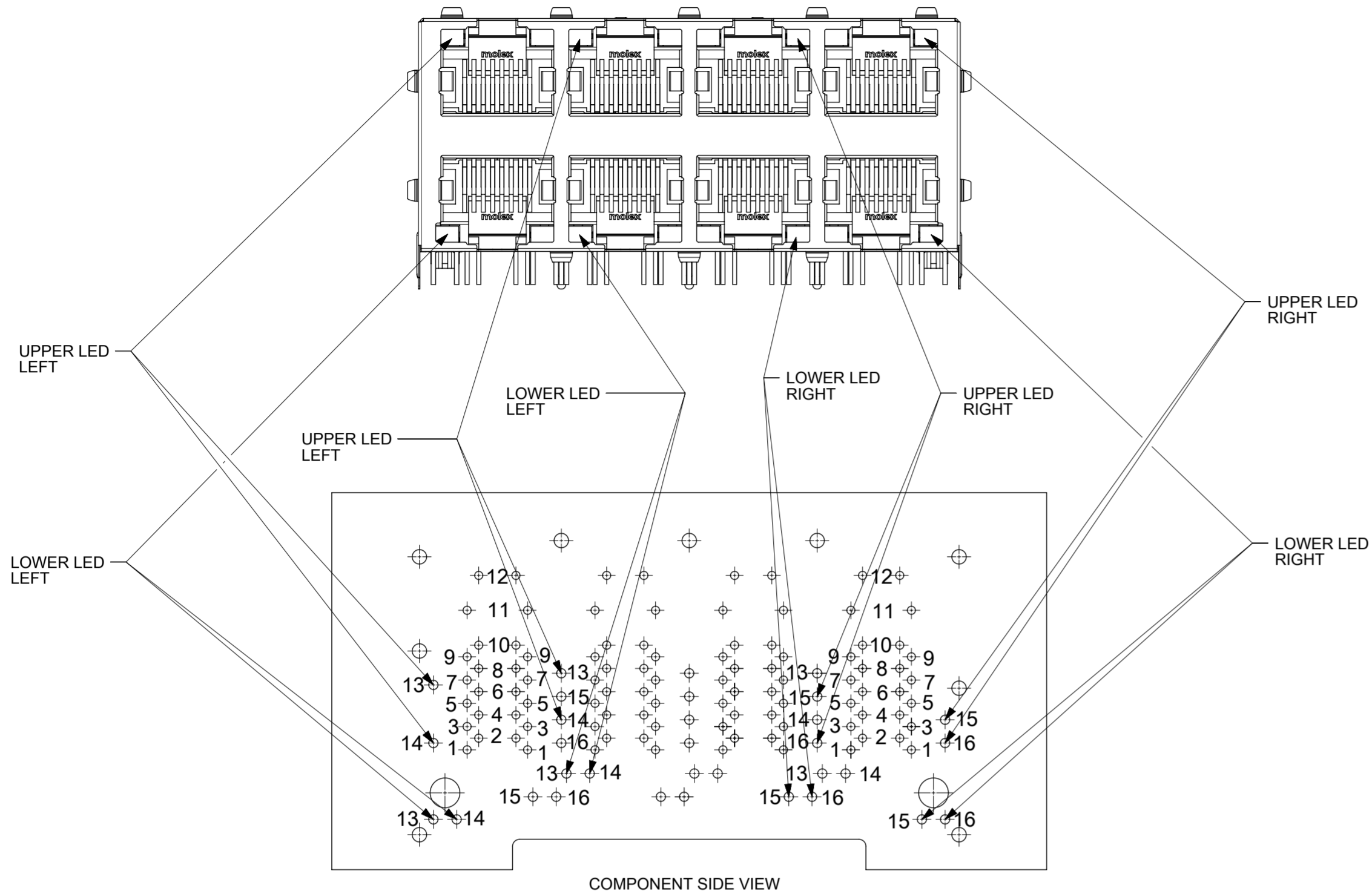
857353001	COLOUR 1	GREEN	COLOUR 1	GREEN	2,2mm	3,56mm	4.06mm
	COLOUR 2	-	COLOUR 2	-			

ADDITIONAL LED COLOURS AND CONFIGURATIONS ARE AVAILABLE ON REQUEST

NOTES:
1 - PRINTING MARKED BY LASER
2 - INSCRIPTION:
1st LINE: PART NUMBER
2nd LINE: DATE CODE (YEAR, MONTH, DAY) - MANUFACTURER ID - CONSECUTIVE NUMBER
3 - UL LOGO

SYMBOLS	THIS DRAWING CONTAINS INFORMATION THAT IS PROPRIETARY TO MOLEX ELECTRONIC TECHNOLOGIES, LLC AND SHOULD NOT BE USED WITHOUT WRITTEN PERMISSION		
	DIMENSION UNITS	SCALE	CURRENT REV DESC: SEE REV CHART
∇ = 0	mm	2:1	EC NO: 621505 DRWN: AFENG02 2019/07/29 CHK'D: KLANG 2019/07/31 APPR: KLANG 2019/07/31
∇ = 0	GENERAL TOLERANCES (UNLESS SPECIFIED)		
∇ = 0	ANGULAR TOL ± 0.5°		INITIAL REVISION: DRWN: MMANGARUDOV 2011/12/14 APPR: SSTEINKE 2012/12/07
∇ = 0	4 PLACES	±	
∇ = 0	3 PLACES	±	DOCUMENT NUMBER SD-85735-101 DOC TYPE PSD DOC PART 001 REVISION C1
∇ = 0	2 PLACES	± 0.25	
∇ = 0	1 PLACE	± 0.5	MATERIAL NUMBER SEE PN TABLE CUSTOMER GENERAL MARKET SHEET NUMBER 3 OF 4
∇ = 0	0 PLACES	±	
∇ = 0	DRAFT WHERE APPLICABLE MUST REMAIN WITHIN DIMENSIONS	THIRD ANGLE PROJECTION	DRAWING A2-SIZE SERIES 85735

DOCUMENT STATUS	P1	RELEASE DATE	2019/07/31	15:02:27
-----------------	----	--------------	------------	----------



UPPER PIN POSITION	LOWER PIN POSITION	LEFT LED COLOUR 1	LEFT LED COLOUR 2
13	13	+	-
14	14	-	+

UPPER PIN POSITION	LOWER PIN POSITION	RIGHT LED COLOUR 1	RIGHT LED COLOUR 2
15	15	+	-
16	16	-	+

PIN	ETHERNET MAGNETICS
1	TD 0+
2	TD 0-
3	TD 1+
4	TD 1-
5	TD 2+
6	TD 2-
7	TD 3+
8	TD 3-
9	Vcc
10	GND
11	PWR 3-6
12	PWR 1-2

	MDI-X	MDI
PIN 11	Vc +	Vc -
PIN 12	Vc -	Vc +

POWER-SUPPLY POLARITY DEFINITION TO ACHIEVE PoE POWER ASSIGNMENT ACCORDING IEEE Std802.3-2012 ALTERNATIVE A:

SYMBOLS	THIS DRAWING CONTAINS INFORMATION THAT IS PROPRIETARY TO MOLEX ELECTRONIC TECHNOLOGIES, LLC AND SHOULD NOT BE USED WITHOUT WRITTEN PERMISSION	
	DIMENSION UNITS	SCALE
∅ = 0	mm	2:1
E = 0	GENERAL TOLERANCES (UNLESS SPECIFIED)	
F = 0	ANGULAR TOL ± 0.5°	
S = 0	CURRENT REV DESC: SEE REV CHART	
▽ = 0	4 PLACES ±	EC NO: 621505
▽ = 0	3 PLACES ±	DRWN: AFENG02 2019/07/29
▽ = 0	2 PLACES ± 0.25	CHK'D: KLANG 2019/07/31
▽ = 0	1 PLACE ± 0.5	APPR: KLANG 2019/07/31
□ = 0	0 PLACES ±	INITIAL REVISION:
■ = 0	DRAFT WHERE APPLICABLE MUST REMAIN WITHIN DIMENSIONS	DRWN: MMANGARUDOV 2011/12/14
▽ = 0	THIRD ANGLE PROJECTION	APPR: SSTEINKE 2012/12/07
	DRAWING	SERIES
	A2-SIZE	85735
	MATERIAL NUMBER	CUSTOMER
	SEE PN TABLE	GENERAL MARKET
	DOCUMENT NUMBER	DOC TYPE DOC PART REVISION
	SD-85735-101	PSD 001 C1
	SHEET NUMBER	4 OF 4

molex

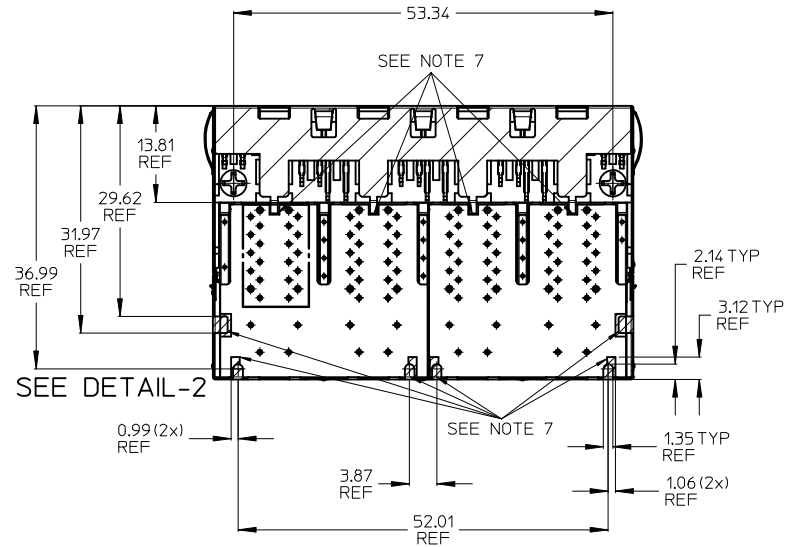
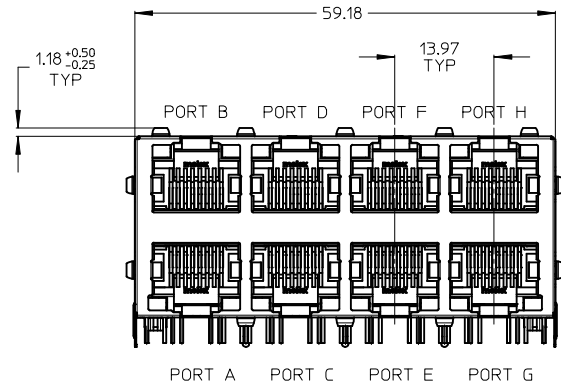
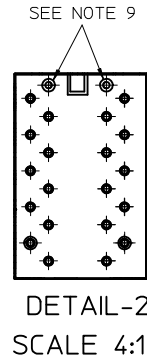
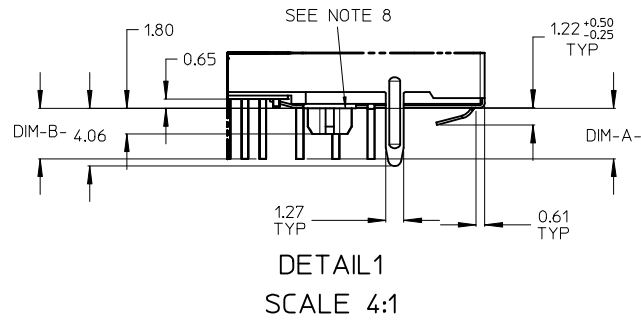
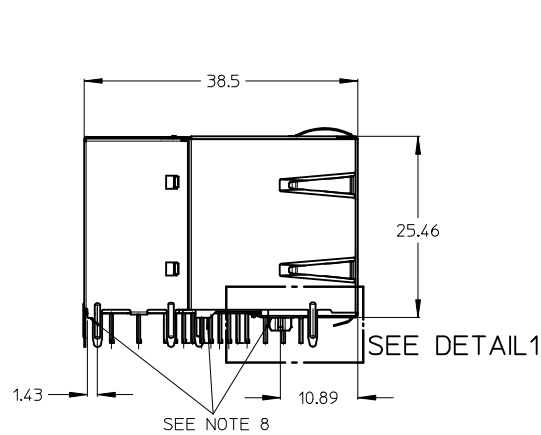
GIGABIT MAGNETIC JACK
POE PLUS ENABLED 2X4 LED

PRODUCT CUSTOMER DRAWING

**GIGABIT 8 PORT MAGNETIC JACK WITH LED'S
AND INTEGRATED POWER OVER ETHERNET TRANSFORMERS
WITHOUT POWER LINE CHOKE
ACCORDING TO IEEE Std802.3-2012 FOR PSE (30 WATT) APPLICATIONS**

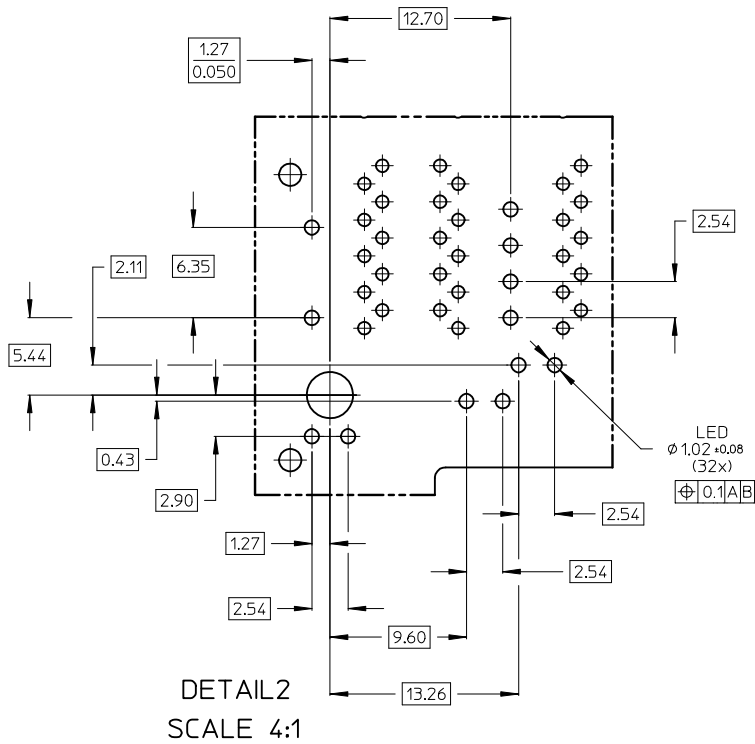
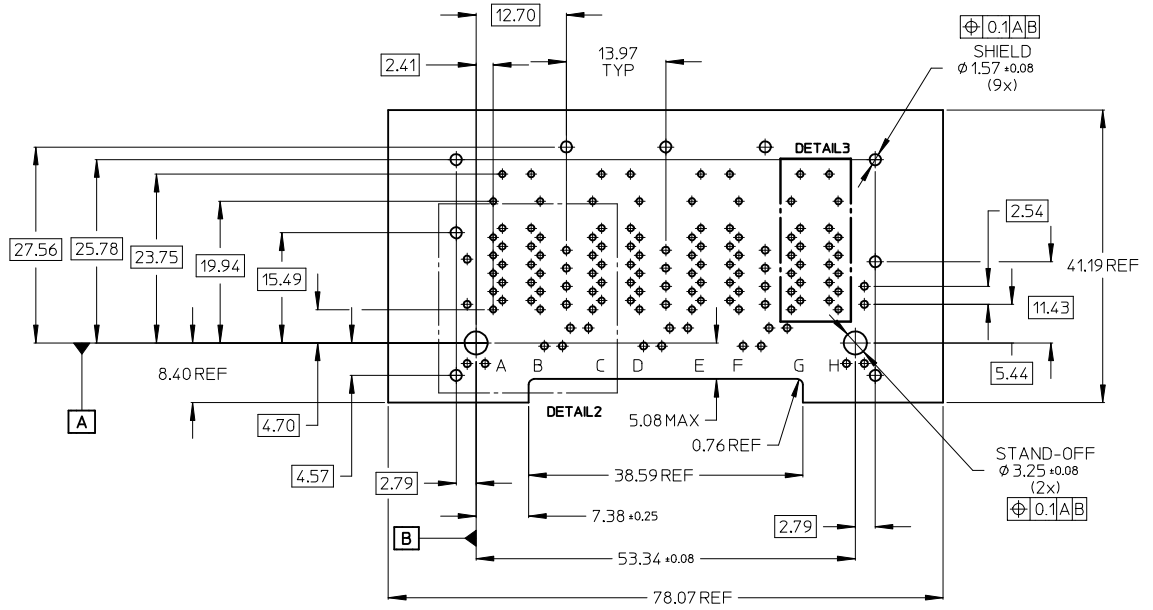
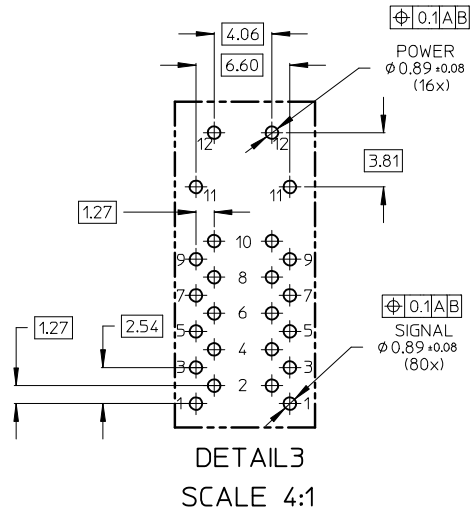
PART NUMBER	UPPER & LOWER LED LEFT		UPPER & LOWER LED RIGHT		LED PIN DIM-A-	SIGNAL PIN DIM-B-
85735-2001	COLOUR 1	GREEN	COLOUR 1	GREEN	3.56 MM	3.56 MM
	COLOUR 2	—	COLOUR 2	—		
85735-2004	COLOUR 1	GREEN	COLOUR 1	GREEN	3.56 MM	3.56 MM
	COLOUR 2	ORANGE	COLOUR 2	ORANGE		

ADDITIONAL LED COLOURS ARE CONFIGURATIONS AVAILABLE ON REQUEST



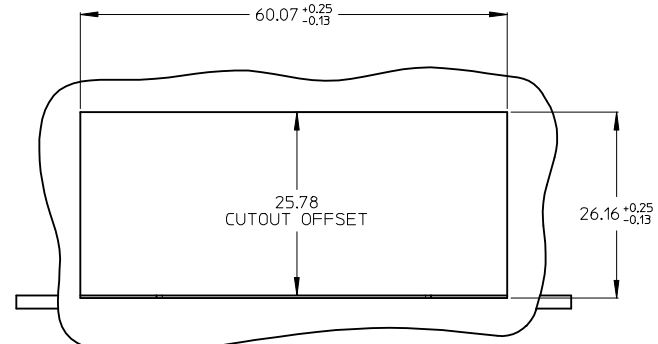
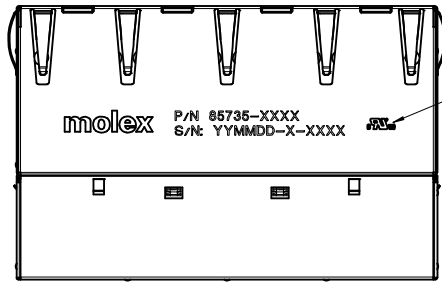
- NOTES:**
- 1 - SHIELD MATERIAL: BRASS; PLATING: NICKEL PRE-PLATING
 - 2 - PLASTIC MATERIAL: POLYESTER (PBT) BLACK, 30%GR, UL 94V-0
 - 3 - RJ45 TERMINALS MATERIAL: COPPER ALLOY
CONTACT PLATING: 0.76 MICROMETER GOLD OVER 1.9 MICROMETER NICKEL
PHY TERMINALS: TIN PLATED
 - 4 - MATING INTERFACE ACCORDING TO IEC 60603-7
 - 5 - PRODUCT SPECIFICATION: PS-85732-001
 - 6 - PACKAGING SPECIFICATION: PK-85735-001
 - 7 - TRACES WITHOUT INSULATION NOT ALLOWED IN THE DASHED AREAS & LATCHES (TO AVOID SHORTS TO SHIELD)
 - 8 - STAND OFF TO SYSTEM BOARD
 - 9 - STUBBED PINS -> AVOID TO ROUTE TRACES OR TO PLACE ANY VIAS OR PADS BELOW THESE PINS
 - 10 - FOR MAGNETICS AND LED INFORMATION SEE SPEC PS-85732-001

INCH DIM DELETED	EC NO: 201510115	QUALITY SYMBOLS	GENERAL TOLERANCES (UNLESS SPECIFIED)	DIMENSION STYLE	SCALE	DESIGN UNITS	THIRD ANGLE PROJECTION	
	DRWN:JBADER 2015/01/15	▽=0	mm INCH	MM ONLY	2:1	METRIC		
	CHKD:MMANGARUDOV 2015/01/15	▽=0	4 PLACES ± --- ± ---	DRAWN BY	DATE	TITLE		
	APPR:SSSTEINKE 2015/07/08		3 PLACES ± --- ± ---	JBADER	2013/07/02	GIGABIT MAGNETIC JACK POE PLUS ENABLED 2X4 LED		
		2 PLACES ± 0.25 ± ---	2 PLACES ± 0.25 ± ---	CHECKED BY	DATE			
		1 PLACE ± 0.5 ± ---	1 PLACE ± 0.5 ± ---	MMANGARUDOV	2013/07/02			
		ANGULAR ± .5 °	ANGULAR ± .5 °	APPROVED BY	DATE			
				SSTEINKE	2013/10/31	MOLEX INCORPORATED		
				MATERIAL NO.		DOCUMENT NO.		
				SEE BOM		SD-85735-201		
				SIZE				
				A 2	THIS DRAWING CONTAINS INFORMATION THAT IS PROPRIETARY TO MOLEX INCORPORATED AND SHOULD NOT BE USED WITHOUT WRITTEN PERMISSION			SHEET NO. 1 OF 4

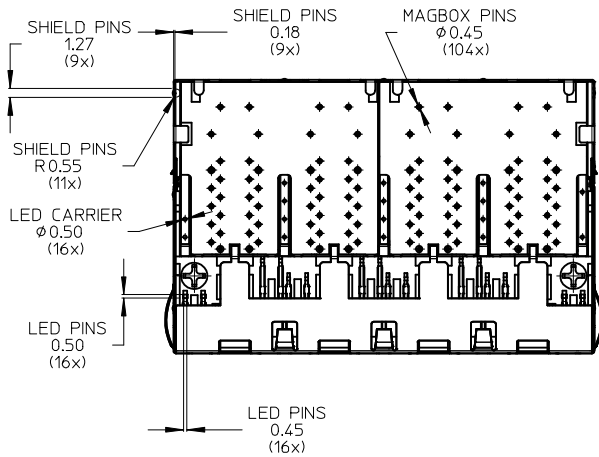
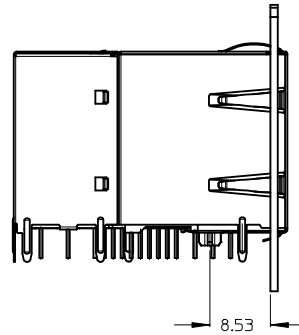
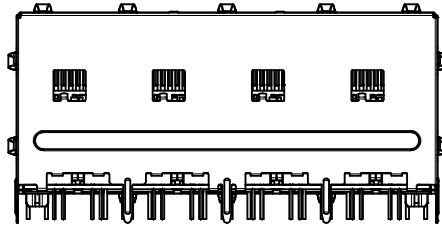


INCH DIM DELETED	EC NO:	20150115	QUALITY SYMBOLS	GENERAL TOLERANCES (UNLESS SPECIFIED)		DIMENSION STYLE MM ONLY		SCALE 2:1	DESIGN UNITS METRIC	THIRD ANGLE PROJECTION
	DRWN:	JBADER	▽=0	mm INCH		DRAWN BY DATE		TITLE		
	CHKD:	MMANGARUDOV	▽=0	4 PLACES ± --- ± ---		JBADER 2013/07/02		GIGABIT MAGNETIC JACK POE PLUS ENABLED 2X4 LED		
	APPR:	SSTEINKE		3 PLACES ± --- ± ---		CHECKED BY DATE		MOLEX INCORPORATED		
REV			2 PLACES ± 0.25 ± ---		MMANGARUDOV 2013/07/02					
				1 PLACE ± 0.5 ± ---		APPROVED BY DATE		DOCUMENT NO.		SHEET NO.
				ANGULAR ± .5 °		SSTEINKE 2013/10/31		SD-85735-201		2 OF 4
				DRAFT WHERE APPLICABLE MUST REMAIN WITHIN DIMENSIONS		MATERIAL NO.		SEE SHEET 1		
						SIZE		THIS DRAWING CONTAINS INFORMATION THAT IS PROPRIETARY TO MOLEX INCORPORATED AND SHOULD NOT BE USED WITHOUT WRITTEN PERMISSION		

PRINTING
 LED VERSION
 P/N: 85735-XXXX
 S/N: YYMMDD-CM-CONSECUTIVE NUMBER

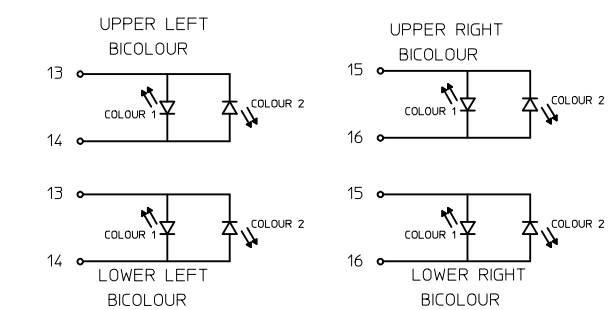
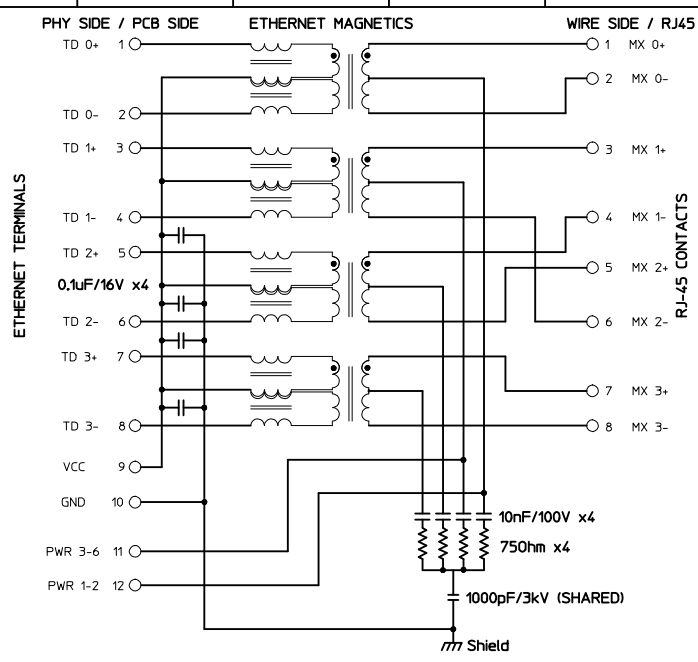
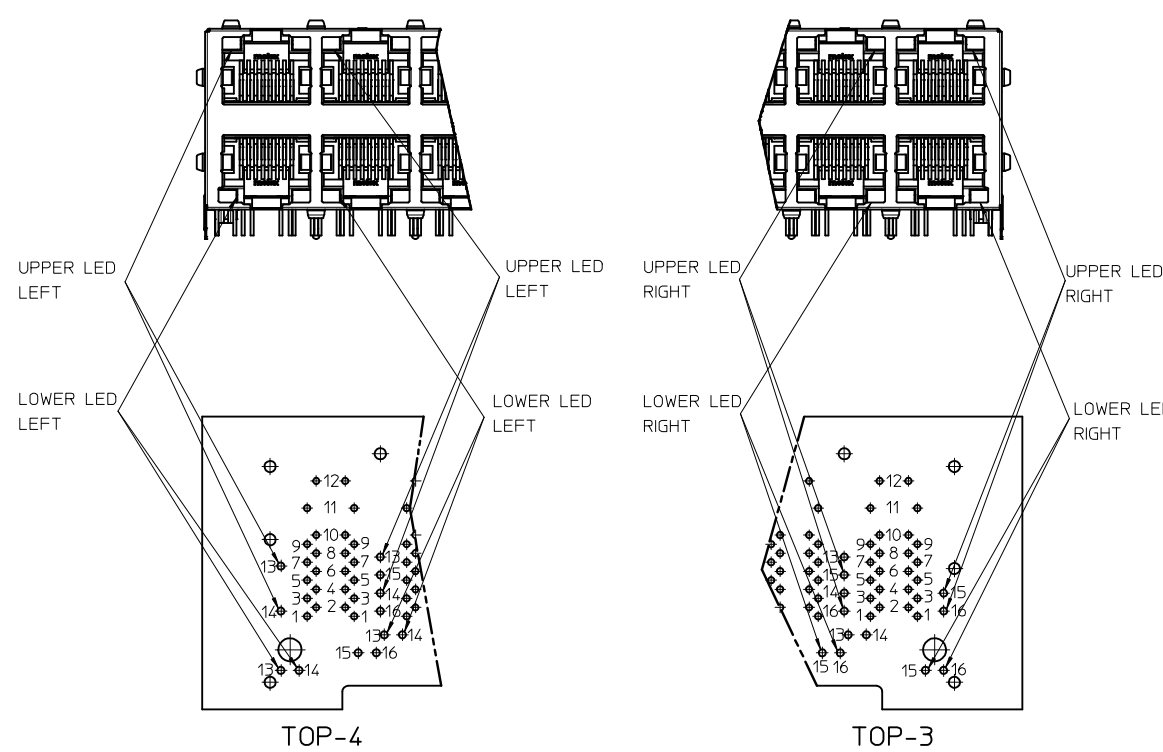


SUGGESTED PANEL CUT OUT



- NOTES:
- 1 - PRINTING MARKED BY LASER
 - 2 - INSCRIPTION:
 1st LINE: PART NUMBER
 2nd LINE: DATE CODE (YEAR, MONTH, DAY)- MANUFACTURER ID - CONSECUTIVE NUMBER
 - 3 - UL LOGO

INCH DIM DELETED	EC NO: 2015/01/15	QUALITY SYMBOLS	GENERAL TOLERANCES (UNLESS SPECIFIED)		DIMENSION STYLE MM ONLY		SCALE 2:1	DESIGN UNITS METRIC	THIRD ANGLE PROJECTION
	DRWN: JBADER	▽=0	4 PLACES ± --- ± ---	mm	INCH	DRAWN BY JBADER	DATE 2013/07/02	TITLE GIGABIT MAGNETIC JACK POE PLUS ENABLED 2X4 LED	
	CHKD: MMANGARUDOV	▽=0	3 PLACES ± --- ± ---			CHECKED BY MMANGARUDOV	DATE 2013/07/02		
	APPR: SSTEINKE		2 PLACES ± 0.25 ± ---			APPROVED BY SSTEINKE	DATE 2013/10/31	MOLEX INCORPORATED	
		1 PLACE ± 0.5 ± ---	ANGULAR ± .5 °		MATERIAL NO. SEE SHEET 1		DOCUMENT NO. SD-85735-201	SHEET NO. 3 OF 4	
			DRAFT WHERE APPLICABLE MUST REMAIN WITHIN DIMENSIONS		THIS DRAWING CONTAINS INFORMATION THAT IS PROPRIETARY TO MOLEX INCORPORATED AND SHOULD NOT BE USED WITHOUT WRITTEN PERMISSION				



UPPER POSITION	LOWER POSITION	LEFT COLOUR	RIGHT COLOUR
13	13	+	-
14	14	-	+

UPPER POSITION	LOWER POSITION	RIGHT COLOUR	LEFT COLOUR
15	15	+	-
16	16	-	+

POWER-SUPPLY POLARITY DEFINITION TO ACHIEVE PoE POWER ASSIGNMENT ACCORDING IEEE Std802.3-2012 ALTERNATIVE A:

	MDI-X	MDI
PIN 11	Vc +	Vc -
PIN 12	Vc -	Vc +

PIN	ETHERNET MAGNETICS
1	TD 0+
2	TD 0-
3	TD 1+
4	TD 1-
5	TD 2+
6	TD 2-
7	TD 3+
8	TD 3-
9	Vcc
10	GND
11	PWR 3-6
12	PWR 1-2

SCHEMATIC UPDATED EC NO: 2015/01/15 DRWN: JBADER CHKD: MMANGARUDOV APPR: SSTEINKE DATE: 2015/01/15 DATE: 2015/07/08	QUALITY SYMBOLS ▽=0 ▽=0	GENERAL TOLERANCES (UNLESS SPECIFIED)		DIMENSION STYLE MM ONLY		SCALE 2:1	DESIGN UNITS METRIC	THIRD ANGLE PROJECTION	
		4 PLACES ± --- ± --- 3 PLACES ± --- ± --- 2 PLACES ± 0.25 ± --- 1 PLACE ± 0.5 ± ---	mm INCH	DRAWN BY JBADER	DATE 2013/07/02	TITLE GIGABIT MAGNETIC JACK POE PLUS ENABLED 2X4 LED			
		ANGULAR ± .5 °		CHECKED BY MMANGARUDOV	DATE 2013/07/02	APPROVED BY SSTEINKE			
		DRAFT WHERE APPLICABLE MUST REMAIN WITHIN DIMENSIONS		MATERIAL NO. SEE SHEET 1	DATE 2013/10/31	MOLEX INCORPORATED		DOCUMENT NO. SD-85735-201	SHEET NO. 4 OF 4