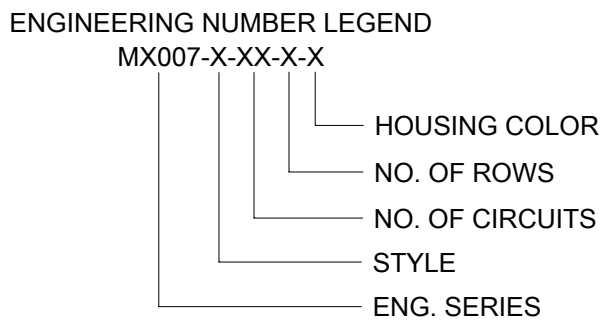


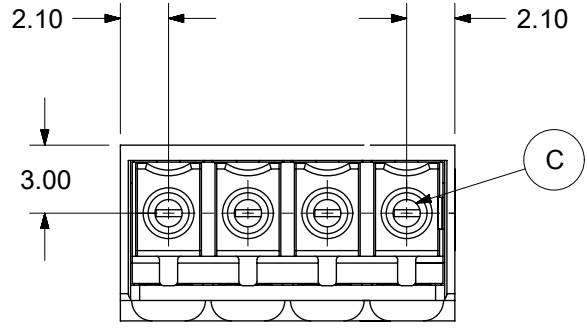
NUMBER OF CIRCUITS "XX"	MATERIAL NO.	ENG. NO	DIM "A"	DIM "B"
02	397630102	MX007-1-02-1-3	7.70 [.303]	3.50 [.138]
03	397630103	MX007-1-03-1-3	11.20 [.441]	7.00 [.276]
04	397630104	MX007-1-04-1-3	14.70 [.579]	10.50 [.413]
05	397630105	MX007-1-05-1-3	18.20 [.717]	14.00 [.551]
06	397630106	MX007-1-06-1-3	21.70 [.854]	17.50 [.689]
07	397630107	MX007-1-07-1-3	25.20 [.992]	21.00 [.827]
08	397630108	MX007-1-08-1-3	28.70 [1.130]	24.50 [.965]
09	397630109	MX007-1-09-1-3	32.20 [1.268]	28.00 [1.102]
10	397630110	MX007-1-10-1-3	35.70 [1.406]	31.50 [1.240]
11	397630111	MX007-1-11-1-3	39.20 [1.543]	35.00 [1.378]
12	397630112	MX007-1-12-1-3	42.70 [1.681]	38.50 [1.516]
13	397630113	MX007-1-13-1-3	46.20 [1.819]	42.00 [1.654]
14	397630114	MX007-1-14-1-3	49.70 [1.957]	45.50 [1.791]
15	397630115	MX007-1-15-1-3	53.20 [2.094]	49.00 [1.929]
16	397630116	MX007-1-16-1-3	56.70 [2.232]	52.50 [2.067]
17	397630117	MX007-1-17-1-3	60.20 [2.370]	56.00 [2.205]
18	397630118	MX007-1-18-1-3	63.70 [2.508]	59.50 [2.343]
19	397630119	MX007-1-19-1-3	67.20 [2.646]	63.00 [2.480]
20	397630120	MX007-1-20-1-3	70.70 [2.783]	66.50 [2.618]

SPECIFICATIONS:

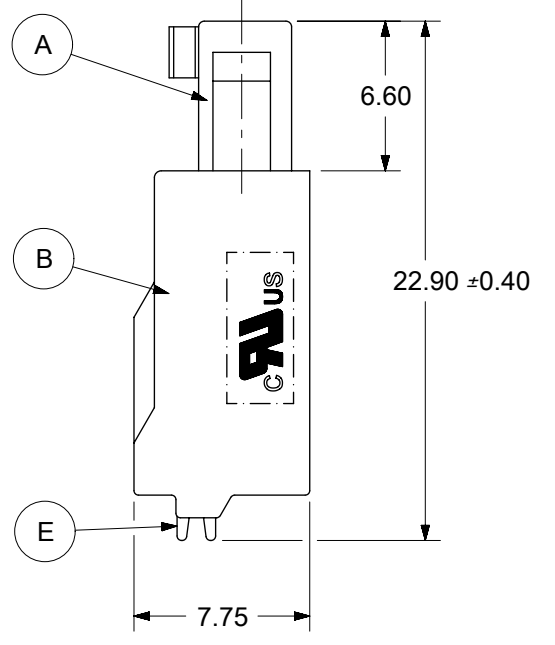
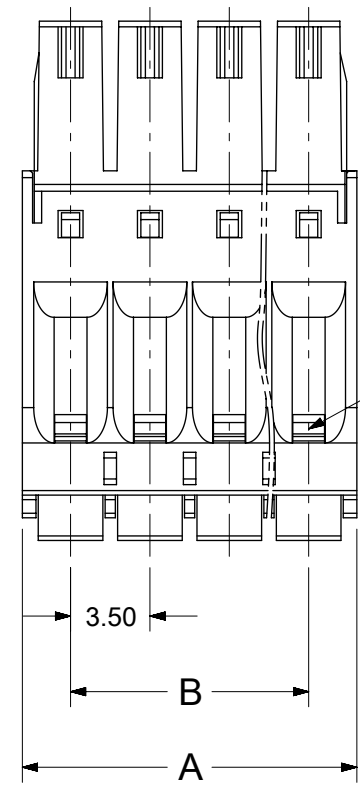
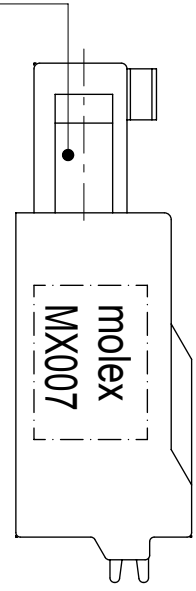
- MATERIAL:
 - A. HOUSING, COVER AND LEVER: PA66 UL 94-V0
 - B. TERMINAL: COPPER ALLOY, TIN PLATED
 - C. SPRING COIL: STAINLESS STEEL
- MAX. RATING: 150V, 8A
- INSULATION WITHSTAND VOLTAGE: AC1600V/1 MIN.
- INSULATION RESISTANCE: 500MΩ AT DC500V
- TEMPERATURE RANGE: -40°C TO +105°C
- WIRE RANGE: 16 TO 24 AWG PER UL
- WIRE STRIP LENGTH: 10.0mm (0.39")
- NOTE: ALL ELECTRICAL AND MECHANICAL SPECIFICATIONS PER UL 1059 AS NOTED IN MOLEX AGENCY APPROVAL FILE NO. E48521



STYLE 1 = SPRING TYPE 2 = RISING CAGE TYPE	NO. OF ROWS 1 = 1 ROW 2 = 2 ROWS	HOUSING COLOR 1 = BLACK 2 = RED 3 = GREEN
--	--	---



SIDE RETENTION FEATURE FOR 2 TO 7 CIRCUITS VERSIONS ONLY



Total Pitch Tolerances in mm									Nominal dimension range in mm								
over	over	over	over	over	over	over	over	over	over	over	over	over	over	over	over	over	over
0	30	53	70	90	115	150	200	250	0	30	53	70	90	115	150	200	250
to	to	to	to	to	to	to	to	to	to	to	to	to	to	to	to	to	to
30	53	70	90	115	150	200	250	320	30	53	70	90	115	150	200	250	320
±0.18	±0.20	±0.25	±0.30	±0.35	±0.44	±0.55	±0.70	±0.75	±0.20	±0.25	±0.30	±0.35	±0.44	±0.55	±0.70	±0.80	±0.90

SYMBOLS	THIS DRAWING CONTAINS INFORMATION THAT IS PROPRIETARY TO MOLEX ELECTRONIC TECHNOLOGIES, LLC AND SHOULD NOT BE USED WITHOUT WRITTEN PERMISSION		
	DIMENSION UNITS	SCALE	CURRENT REV DESC:
▽ = 0	mm		<p>molex</p> <p>SINGLE ROW SPRING TYPE PLUG, 3.50MM PITCH, 8A</p> <p>PRODUCT CUSTOMER DRAWING</p>
▽ = 0	GENERAL TOLERANCES (UNLESS SPECIFIED)		
▽ = 0	ANGULAR TOL ±		
▽ = 0	4 PLACES ±		
▽ = 0	3 PLACES ±		
▽ = 0	2 PLACES ± SEE CHART		
▽ = 0	1 PLACE ±		<p>EC NO: 609416</p> <p>DRWN: ABENJAMINLW 2018/12/11</p> <p>CHK'D: MBRZOZOWSKI 2018/12/19</p> <p>APPR: JFMURPHY 2019/02/06</p>
▽ = 0	0 PLACES ±		<p>INITIAL REVISION:</p> <p>DRWN: ABENJAMINLW 2018/12/11</p> <p>APPR: JFMURPHY 2019/02/06</p>
▽ = 0	DRAFT WHERE APPLICABLE MUST REMAIN WITHIN DIMENSIONS		<p>THIRD ANGLE PROJECTION</p> <p>DRAWING B-SIZE</p> <p>SERIES 39763</p>
DOCUMENT STATUS		P1	<p>DOCUMENT NUMBER: 397630102</p> <p>MATERIAL NUMBER: 397630102</p> <p>CUSTOMER: GENERAL MARKET</p>
RELEASE DATE		2019/02/06 00:16:22	<p>DOC TYPE: PSD</p> <p>DOC PART: 000</p> <p>REVISION: A</p> <p>SHEET NUMBER: 1 OF 1</p>