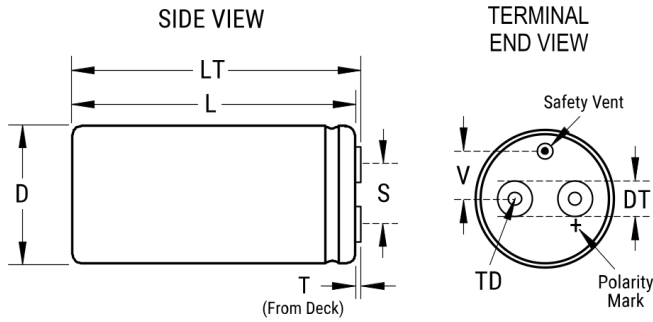


ALS40A153DE040

Aliases (A341FH153M040A)

ALS40, Aluminum Electrolytic, 15,000 uF, 20%, 40 VDC, -40/+105°C



Click [here](#) for the 3D model.

Dimensions

| | |
|----|-----------------|
| D | 36mm +/-1mm |
| L | 82mm +/-2mm |
| T | 7.1mm +/-0.5mm |
| S | 12.8mm +/-0.5mm |
| DT | 8mm +/-0.5mm |
| LT | 87.5mm +/-1mm |
| TD | 10mm MIN |
| V | 8mm NOM |

Packaging Specifications

| | |
|-----------|-----------|
| Sleeving | Yes |
| Packaging | Bulk, Box |

General Information

| | |
|------------------|---|
| Series | ALS40 |
| Dielectric | Aluminum Electrolytic |
| Description | Screw Terminal, Aluminum Electrolytic |
| RoHS | Yes |
| AEC-Q200 | No |
| Halogen Free | No |
| Component Weight | 115 g |
| Notes | Dimensions D And L Include Sleeving. MS (MxH) = M8x12. Mounting Clamp (Sold Separately): V3/H2/2736 |
| Shelf Life | 156 Weeks |

Specifications

| | |
|-----------------------|--|
| Capacitance | 15,000 uF |
| Capacitance Tolerance | 20% |
| Voltage DC | 40 VDC, 46 VDC (Surge) |
| Temperature Range | -40/+105°C |
| Rated Temperature | 105°C |
| Life | 6000 Hrs (Rated Voltage And Ripple Current At 105C), 10000 Hrs (Rated Voltage At 105C) |
| Resistance | 13 mOhms (100Hz 20C), 10 mOhms (10kHz 20C) |
| Ripple Current | 10.8 Amps (100Hz 105C), 11.6 Amps (10kHz 105C) |
| Leakage Current | 1800 uA (5min 20°C) |