

# Snap Action Switches

## Subminiature

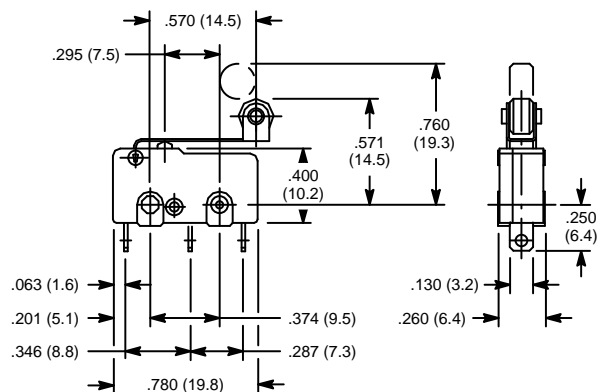
### Features

- Actuator: Hinge Roller Lever



NTE Type No.	Circuitry	Max. Free Position	Min. Over Travel	Max. Operating Force	Max. Differential	Diag No.
54-416	SPDT	0.693"	0.032"	55g	0.032"	S45

### S45



## Specifications

**Current Rating:** 10A 125VAC  
**Contact Resistance:** 30 Milliohms (max.) initial  
**Insulation Resistance:** 100 Megohms at 500VDC  
**Dielectric Strength:** 1000VAC (50/60Hz for 1 minute)  
**Temperature Rating:** -13° to +185°F (-25° to +85°C)  
**Electrical Life:** 50,000 cycles min.  
**Mechanical Life:** 1,000,000 cycles min.  
**Terminal Type:** Solder Terminals

## Subminiature

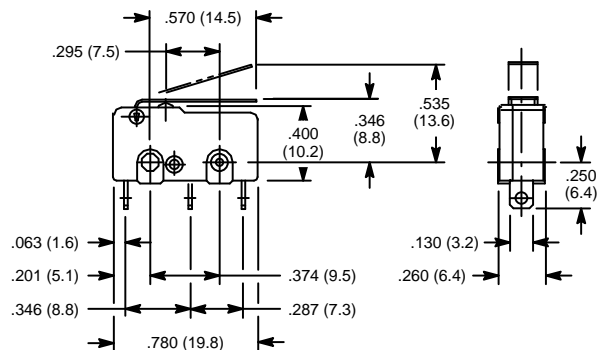
### Features

- Actuator: Hinge Lever



NTE Type No.	Circuitry	Max. Free Position	Min. Over Travel	Max. Operating Force	Max. Differential	Diag No.
54-417	SPDT	0.469"	0.039"	55g	0.032"	S46

### S46



## Specifications

**Current Rating:** 10A 125VAC  
**Contact Resistance:** 30 Milliohms (max.) initial  
**Insulation Resistance:** 100 Megohms at 500VDC  
**Dielectric Strength:** 1000VAC (50/60Hz for 1 minute)  
**Temperature Rating:** -13° to +185°F (-25° to +85°C)  
**Electrical Life:** 50,000 cycles min.  
**Mechanical Life:** 1,000,000 cycles min.  
**Terminal Type:** Solder Terminals

# Snap Action Switches

## Subminiature



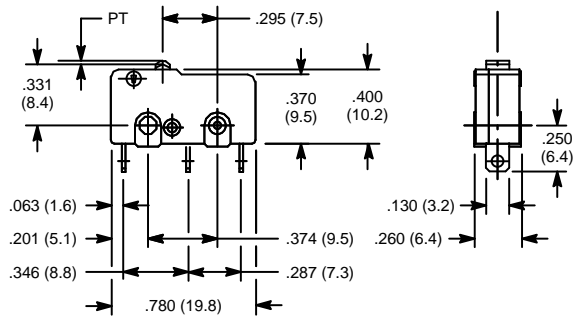
S47

### Features

- Actuator: Pin Plunger



NTE Type No.	Circuitry	Max. Pre-Travel	Min. Over Travel	Max. Operating Force	Max. Differential	Diag No.
54-418	SPDT	0.024"	0.016"	150g	0.005"	S47



## Specifications

**Current Rating:** 10.1A 125/250VAC, 0.4A 125VDC, 0.2A 250VDC  
**Contact Resistance:** 30 Milliohms (max.) initial  
**Insulation Resistance:** 100 Megohms at 500VDC  
**Dielectric Strength:** 1000VAC (50/60Hz for 1 minute)  
**Temperature Rating:** -13° to +185°F (-25° to +85°C) with no icing  
**Electrical Life:** 50,000 cycles min. (under rated load)  
**Mechanical Life:** 10,000,000 cycles min.  
**Terminal Type:** Solder Terminals

## General Purpose



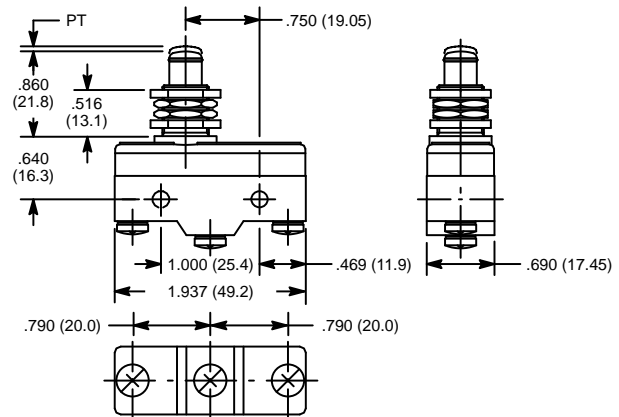
S39

### Features

- Actuator: Panel Mount Plunger



NTE Type No.	Circuitry	Max. Pre-Travel	Min. Over Travel	Max. Operating Force	Max. Differential	Diag No.
54-450	SPDT	0.05"	0.22"	625g	0.01"	S39



## Specifications

**Current Rating:** 20A (12A) 125/250VAC, 0.5A 125/250VDC  
**Contact Resistance:** 15 Milliohms (max.) initial  
**Insulation Resistance:** 100 Megohms (min.) at 500VDC  
**Dielectric Strength:** 1000VAC (50/60Hz for 1 minute)  
**Temperature Rating:** -13° to +176°F (-25° to +80°C)  
**Electrical Life:** 500,000 cycles min. (under rated load)  
**Mechanical Life:** 1,000,000 cycles min.  
**Terminal Type:** Screw Terminals

# Snap Action Switches

## General Purpose



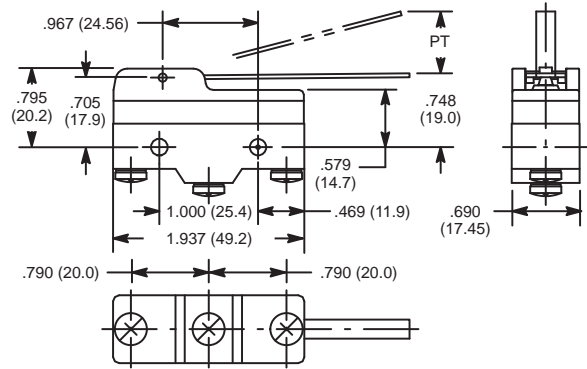
### Features

- Actuator: Long Hinge Lever



NTE Type No.	Circuitry	Max. Pre-Travel	Min. Over Travel	Max. Operating Force	Max. Differential	Diag No.
54-451	SPDT	0.63"	0.16"	70g	0.09"	S40

## S40



## Specifications

**Current Rating:** 15A 125/250/480VAC, 10A 125VAC "L" (Tungsten)  
0.5A 125VDC, 0.25A 250VDC, 1 HP 125VAC, 2 HP 250VA

**Contact Resistance:** 15 Milliohms (max.) initial

**Insulation Resistance:** 100 Megohms (min.) at 500VDC

**Dielectric Strength:** 1000VAC (50/60Hz for 1 minute)

**Temperature Rating:** -13° to +176°F (-25° to +80°C)

**Electrical Life:** 500,000 cycles min. (under rated load)

**Mechanical Life:** 1,000,000 cycles min.

**Terminal Type:** Screw Terminals

## General Purpose



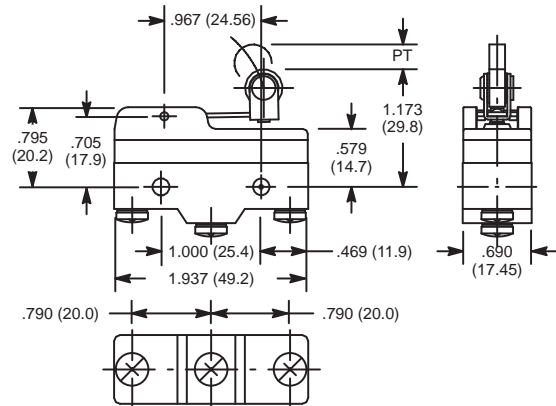
### Features

- Actuator: Short Hinge Roller Lever



NTE Type No.	Circuitry	Max. Pre-Travel	Min. Over Travel	Max. Operating Force	Max. Differential	Diag No.
54-452	SPDT	0.25"	0.05"	160g	0.05"	S41

## S41



## Specifications

**Current Rating:** 20A 125/250/480VAC, 10A 125VAC "L" (Tungsten)  
0.5A 125VDC, 0.25A 250VDC, 1 HP 125VAC, 2 HP 250VA

**Contact Resistance:** 15 Milliohms (max.) initial

**Insulation Resistance:** 100 Megohms (min.) at 500VDC

**Dielectric Strength:** 1000VAC (50/60Hz for 1 minute)

**Temperature Rating:** -13° to +176°F (-25° to +80°C)

**Electrical Life:** 500,000 cycles min. (under rated load)

**Mechanical Life:** 1,000,000 cycles min.

**Terminal Type:** Screw Terminals

# Snap Action Switches

## General Purpose



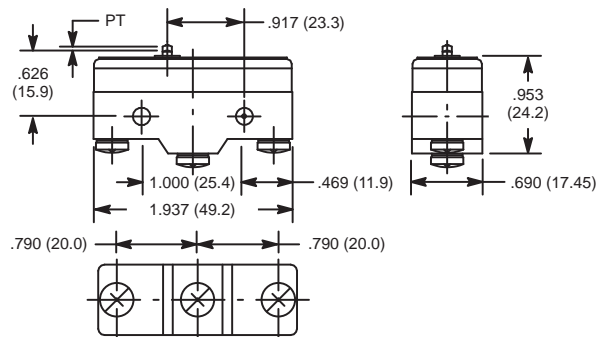
### Features

- Actuator: Pin Plunger



NTE Type No.	Circuitry	Max. Pre-Travel	Min. Over Travel	Max. Operating Force	Max. Differential	Diag No.
54-453	SPDT	0.016"	0.005"	350g	0.002"	S42

## S42



## Specifications

**Current Rating:** 20A 125/250 VAC, 0.5A 125/250 VDC  
**Contact Resistance:** 15 Milliohms (max.) initial  
**Insulation Resistance:** 100 Megohms (min.) at 500VDC  
**Dielectric Strength:** 1000VAC (50/60Hz for 1 minute)  
**Temperature Rating:** -13° to +176°F (-25° to +80°C)  
**Electrical Life:** 100,000 cycles min. (under rated load)  
**Mechanical Life:** 1,000,000 cycles min.  
**Terminal Type:** Screw Terminals

## General Purpose



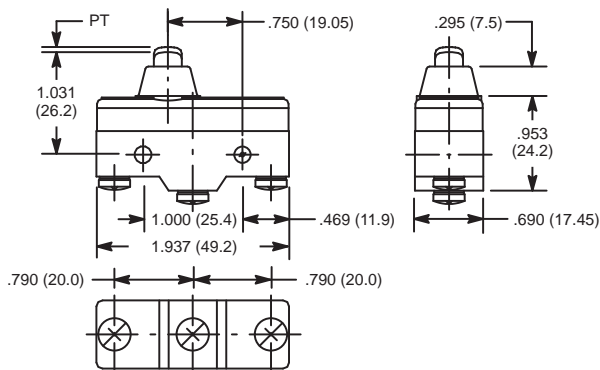
### Features

- Actuator: Short Spring Plunger



NTE Type No.	Circuitry	Max. Pre-Travel	Min. Over Travel	Max. Operating Force	Max. Differential	Diag No.
54-454	SPDT	0.05"	0.12"	625g	0.01"	S43

## S43



## Specifications

**Current Rating:** 20A 125/250/480VAC, 10A 125VAC "L" (Tungsten)  
 0.5A 125VDC, 0.25A 250VDC, 1 HP 125VAC, 2 HP 250VAC  
**Contact Resistance:** 15 Milliohms (max.) initial  
**Insulation Resistance:** 100 Megohms (min.) at 500VDC  
**Dielectric Strength:** 1000VAC (50/60Hz for 1 minute)  
**Temperature Rating:** -13° to +176°F (-25° to +80°C)  
**Electrical Life:** 500,000 cycles min. (under rated load)  
**Mechanical Life:** 1,000,000 cycles min.  
**Terminal Type:** Screw Terminals

# Snap Action Switches

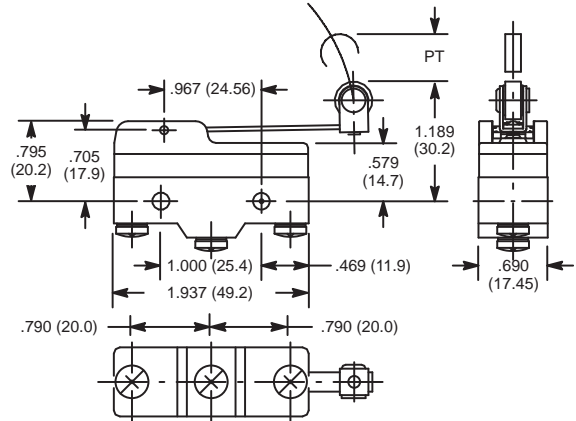
## General Purpose



S44

### Features

- Actuator: Hinge Roller Lever



NTE Type No.	Circuitry	Max. Pre-Travel	Min. Over Travel	Max. Operating Force	Max. Differential	Diag No.
54-455	SPDT	0.28"	0.16"	100g	0.04"	S44

## Specifications

- Current Rating:** 15A 125/250/480VAC, 10A 125VAC "L" (Tungsten), 0.5A 125VDC, 0.25A 250VDC, 1 HP 125VAC, 2 HP 250VA
- Contact Resistance:** 15 Milliohms (max.) initial
- Insulation Resistance:** 100 Megohms (min.) at 500VDC
- Dielectric Strength:** 1000VAC (50/60Hz for 1 minute)
- Temperature Rating:** -13° to +176°F (-25° to +80°C)
- Electrical Life:** 500,000 cycles min. (under rated load)
- Mechanical Life:** 1,000,000 cycles min.
- Terminal Type:** Screw Terminals

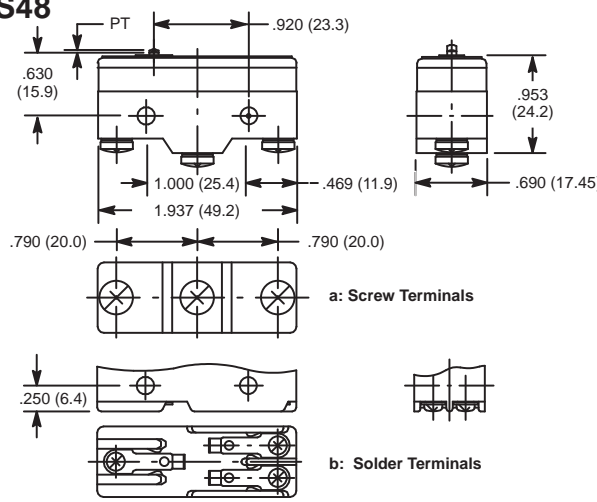
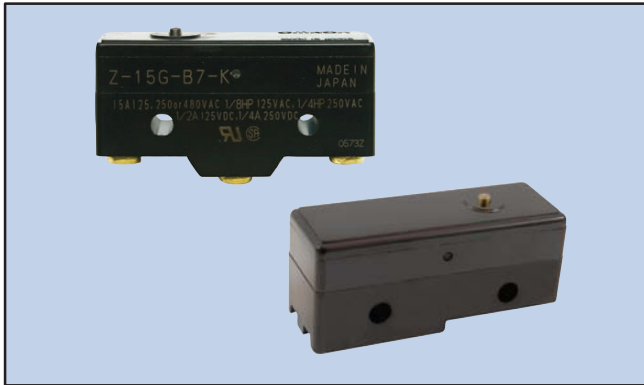
## Standard



S48

### Features

- Actuator: Pin Plunger



NTE Type No.	Circuitry	Max. Pre-Travel	Min. Over Travel	Max. Operating Force	Max. Differential	Diag No.
54-423	SPDT	0.02"	0.01"	350g	0.002"	S48a
54-435	SPDT	0.02"	0.01"	350g	0.002"	S48b

## Specifications

- Current Rating:** 15A 125/250/480VAC, 0.5A 125VDC, 0.25A 250VDC, 1/8 HP 125VAC, 1/4 HP 250VA
- Contact Resistance:** 50 Milliohms (max.) initial
- Insulation Resistance:** 100 Megohms at 500VDC
- Dielectric Strength:** 1000VAC (50/60Hz for 1 minute)
- Temperature Rating:** -13° to +176°F (-25° to +80°C) with no icing
- Electrical Life:** 500,000 cycles min. (under rated load)
- Mechanical Life:** 20,000,000 cycles min.
- Terminal Type:** Refer to Diag No. in Table

# Snap Action Switches

## Standard

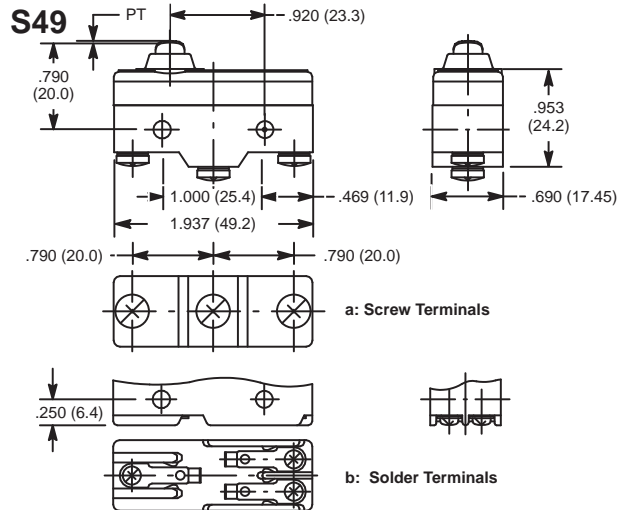


### Features

- Actuator: Short Spring Plunger



NTE Type No.	Circuitry	Max. Pre-Travel	Min. Over Travel	Max. Operating Force	Max. Differential	Diag No.
54-424	SPDT	0.02"	0.06"	350g	0.002"	S49a
54-437	SPDT	0.02"	0.06"	350g	0.002"	S49b



## Specifications

**Current Rating:** 15A 125/250/480VAC, 0.5A 125VDC, 0.25A 250VDC  
1/8 HP 125VAC, 1/4 HP 250VA

**Contact Resistance:** 50 Milliohms (max.) initial

**Insulation Resistance:** 100 Megohms at 500VDC

**Dielectric Strength:** 1000VAC (50/60Hz for 1 minute)

**Temperature Rating:** -13° to +176°F (-25° to +80°C) with no icing

**Electrical Life:** 500,000 cycles min. (under rated load)

**Mechanical Life:** 20,000,000 cycles min.

**Terminal Type:** Refer to Diag No. in Table

## Standard

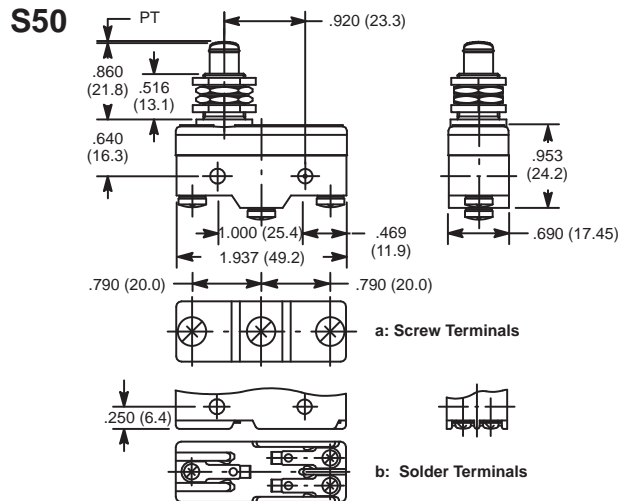


### Features

- Actuator: Panel Mount Plunger



NTE Type No.	Circuitry	Max. Pre-Travel	Min. Over Travel	Max. Operating Force	Max. Differential	Diag No.
54-425	SPDT	0.02"	0.22"	350g	0.002"	S50a
54-433	SPDT	0.02"	0.22"	350g	0.002"	S50b



## Specifications

**Current Rating:** 15A 125/250/480VAC, 0.5A 125VDC, 0.25A 250VDC  
1/8 HP 125VAC, 1/4 HP 250VA

**Contact Resistance:** 50 Milliohms (max.) initial

**Insulation Resistance:** 100 Megohms at 500VDC

**Dielectric Strength:** 1000VAC (50/60Hz for 1 minute)

**Temperature Rating:** -13° to +176°F (-25° to +80°C) with no icing

**Electrical Life:** 500,000 cycles min. (under rated load)

**Mechanical Life:** 20,000,000 cycles min.

**Terminal Type:** Refer to Diag No. in Table

# Snap Action Switches

## Standard



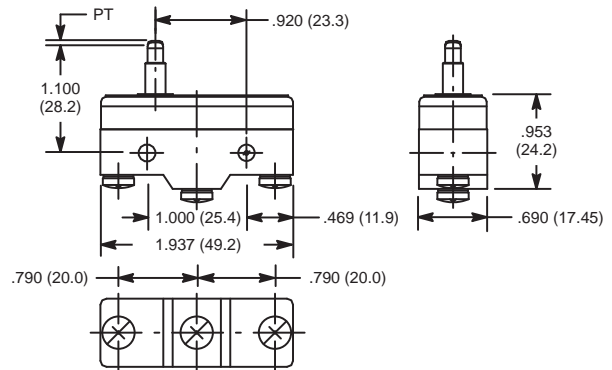
### Features

- Actuator: Slim Spring Plunger



NTE Type No.	Circuitry	Max. Pre-Travel	Min. Over Travel	Max. Operating Force	Max. Differential	Diag No.
54-426	SPDT	0.02"	0.06"	350g	0.002"	S51

## S51



## Specifications

**Current Rating:** 15A 125/250/480VAC, 0.5A 125VDC, 0.25A 250VDC  
1/8 HP 125VAC, 1/4 HP 250VA

**Contact Resistance:** 50 Milliohms (max.) initial

**Insulation Resistance:** 100 Megohms at 500VDC

**Dielectric Strength:** 1000VAC (50/60Hz for 1 minute)

**Temperature Rating:** -13° to +176°F (-25° to +80°C) with no icing

**Electrical Life:** 500,000 cycles min. (under rated load)

**Mechanical Life:** 20,000,000 cycles min.

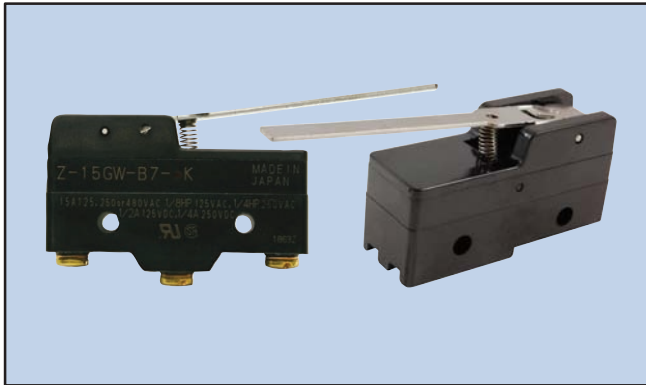
**Terminal Type:** Screw Terminal

## Standard



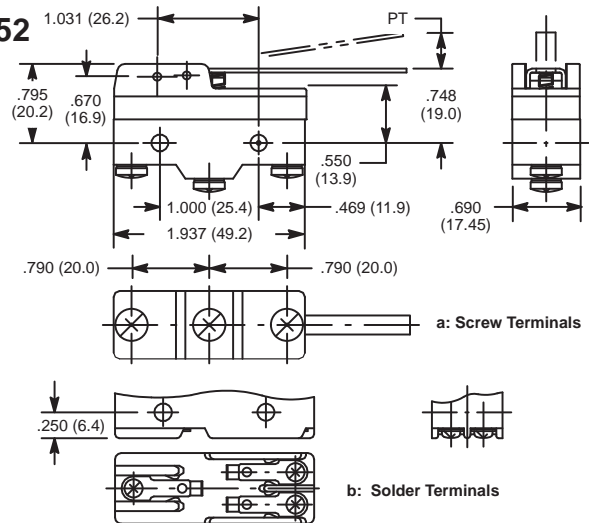
### Features

- Actuator: Long Hinge Lever



NTE Type No.	Circuitry	Max. Pre-Travel	Min. Over Travel	Max. Operating Force	Max. Differential	Diag No.
54-427	SPDT	0.022"	0.05"	70g	0.05"	S52a
54-432	SPDT	0.022"	0.05"	70g	0.05"	S52b

## S52



## Specifications

**Current Rating:** 15A 125/250/480VAC, 0.5A 125VDC, 0.25A 250VDC  
1/8 HP 125VAC, 1/4 HP 250VA

**Contact Resistance:** 50 Milliohms (max.) initial

**Insulation Resistance:** 100 Megohms at 500VDC

**Dielectric Strength:** 1000VAC (50/60Hz for 1 minute)

**Temperature Rating:** -13° to +176°F (-25° to +80°C) with no icing

**Electrical Life:** 500,000 cycles min. (under rated load)

**Mechanical Life:** 20,000,000 cycles min.

**Terminal Type:** Refer to Diag No. in Table



# Snap Action Switches

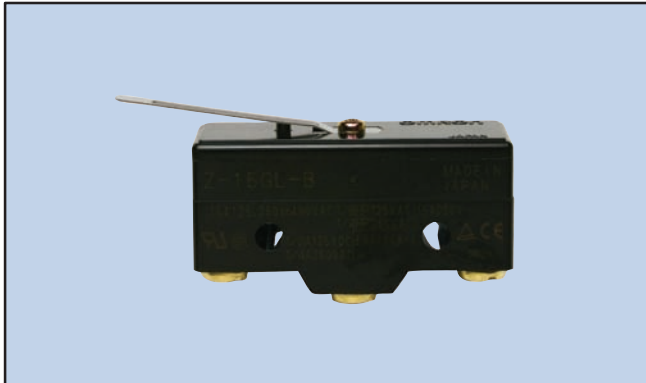
## Standard



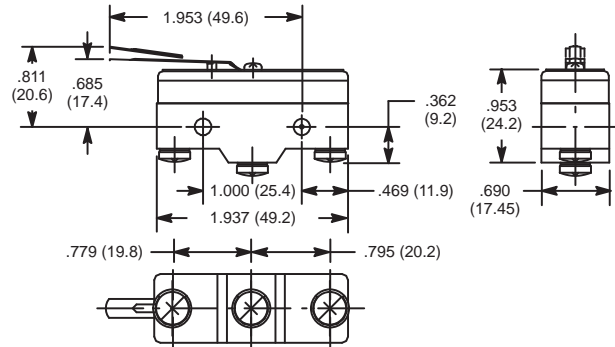
S53

### Features

- Actuator: Hinge Lever



NTE Type No.	Circuitry	Max. Pre-Travel	Min. Over Travel	Max. Operating Force	Max. Differential	Diag No.
54-428	SPDT	0.157"	0.063"	141g	0.051"	S53



## Specifications

**Current Rating:** 15A 125/250VAC, 0.5A 125VDC, 0.25A 250VDC  
1/8 HP 125VAC, 1/4 HP 250VAC

**Contact Resistance:** 15 Milliohms (max.) initial  
**Insulation Resistance:** 100 Megohms at 500VDC  
**Dielectric Strength:** 1500VAC (50/60Hz for 1 minute)  
**Temperature Rating:** -13° to +176°F (-25° to +80°C)  
**Electrical Life:** 100,000 cycles min. (under rated load)  
**Mechanical Life:** 1,000,000 cycles min.  
**Terminal Type:** Screw Terminal

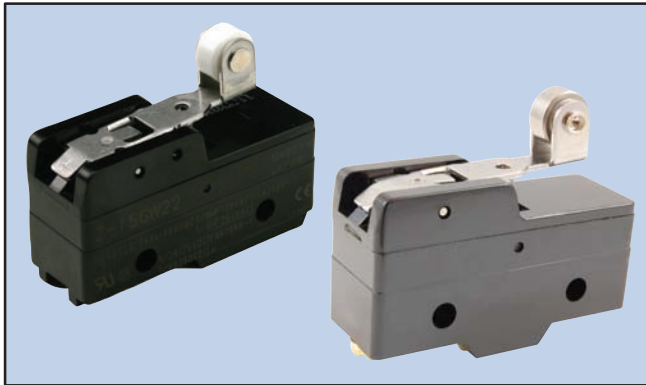
## Standard



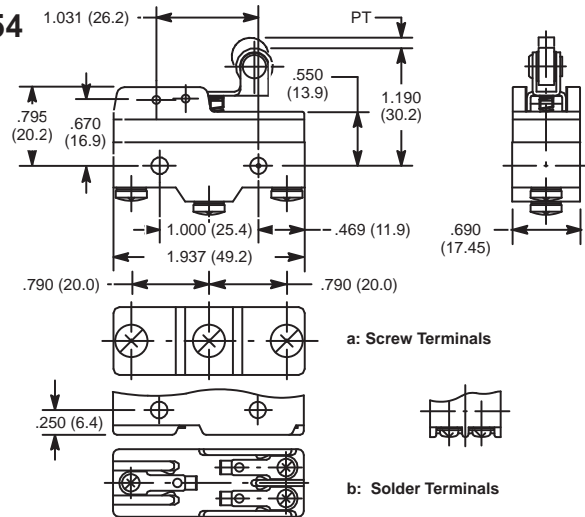
S54

### Features

- Actuator: Short Hinge Roller Lever



NTE Type No.	Circuitry	Max. Pre-Travel	Min. Over Travel	Max. Operating Force	Max. Differential	Diag No.
54-429	SPDT	0.22"	0.05"	160g	0.02"	S54b
54-440	SPDT	0.09"	0.095"	160g	0.02"	S54a



## Specifications

**Current Rating:** 15A 125/250/480VAC, 0.5A 125VDC, 0.25A 250VDC  
1/8 HP 125VAC, 1/4 HP 250VA

**Contact Resistance:** 50 Milliohms (max.) initial  
**Insulation Resistance:** 100 Megohms at 500VDC  
**Dielectric Strength:** 1000VAC (50/60Hz for 1 minute)  
**Temperature Rating:** -13° to +176°F (-25° to +80°C) with no icing  
**Electrical Life:** 500,000 cycles min. (under rated load)  
**Mechanical Life:** 20,000,000 cycles min.  
**Terminal Type:** Refer to Diag No. in Table



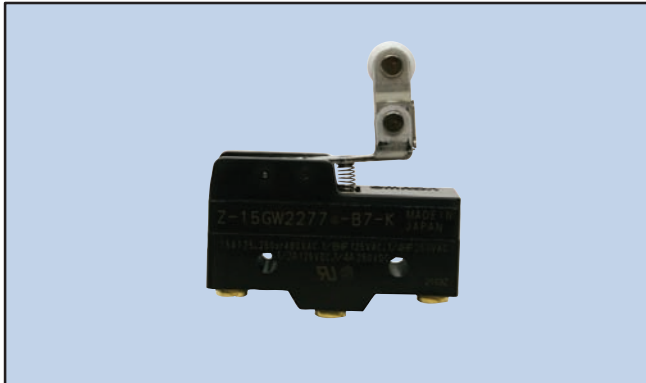
# Snap Action Switches

## Standard



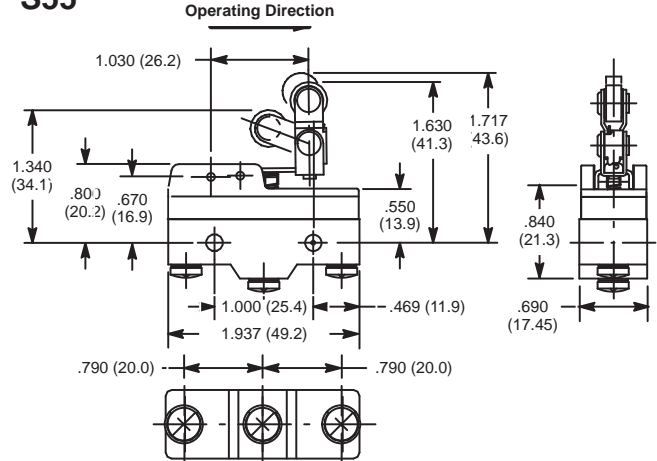
### Features

- Actuator: Unidirectional Short Hinge Roller Lever



NTE Type No.	Circuitry	Max. Pre-Travel	Min. Over Travel	Max. Operating Force	Max. Differential	Diag No.
54-430	SPDT	0.09"	0.02"	170g	0.02"	S55

## S55



## Specifications

**Current Rating:** 15A 125/250/480VAC, 0.5A 125VDC, 0.25A 250VDC  
1/8 HP 125VAC, 1/4 HP 250VA

**Contact Resistance:** 50 Milliohms (max.) initial  
**Insulation Resistance:** 100 Megohms at 500VDC

**Dielectric Strength:** 1000VAC (50/60Hz for 1 minute)

**Temperature Rating:** -13° to +176°F (-25° to +80°C) with no icing

**Electrical Life:** 500,000 cycles min. (under rated load)

**Mechanical Life:** 20,000,000 cycles min.

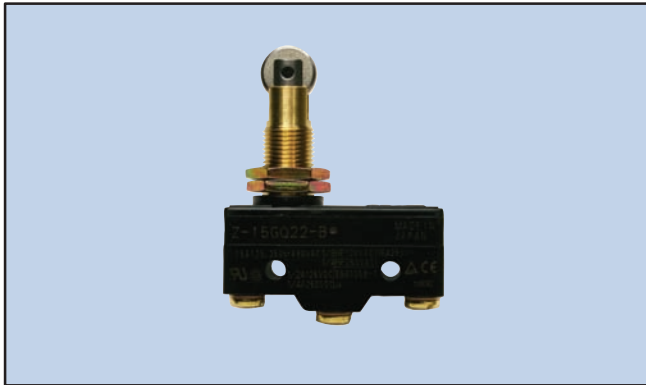
**Terminal Type:** Screw Terminal

## Standard



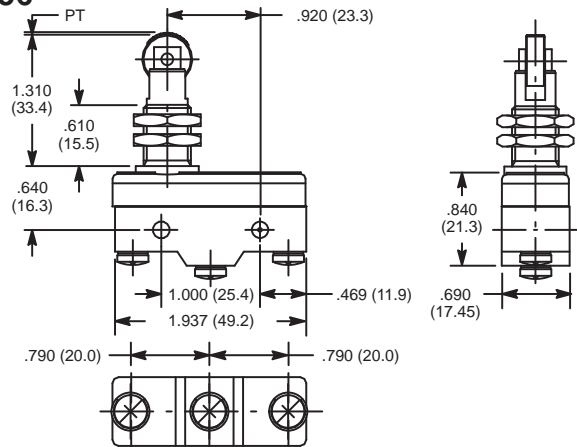
### Features

- Actuator: Panel Mount Roller Plunger



NTE Type No.	Circuitry	Max. Pre-Travel	Min. Over Travel	Max. Operating Force	Max. Differential	Diag No.
54-438	SPDT	0.02"	0.22"	350g	0.002"	S56

## S56



## Specifications

**Current Rating:** 15A 125/250/480VAC, 0.5A 125VDC, 0.25A 250VDC  
1/8 HP 125VAC, 1/4 HP 250VA

**Contact Resistance:** 50 Milliohms (max.) initial  
**Insulation Resistance:** 100 Megohms at 500VDC

**Dielectric Strength:** 1000VAC (50/60Hz for 1 minute)

**Temperature Rating:** -13° to +176°F (-25° to +80°C) with no icing

**Electrical Life:** 500,000 cycles min. (under rated load)

**Mechanical Life:** 20,000,000 cycles min.

**Terminal Type:** Screw Terminal

# Snap Action Switches

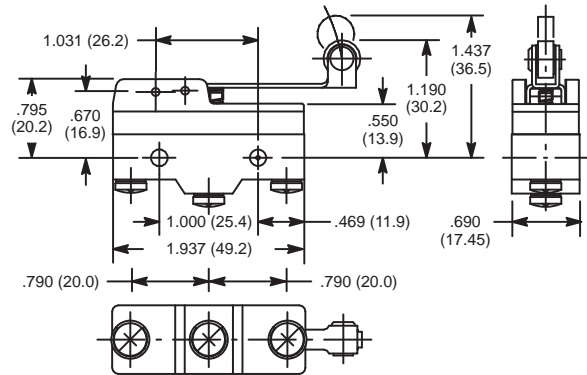
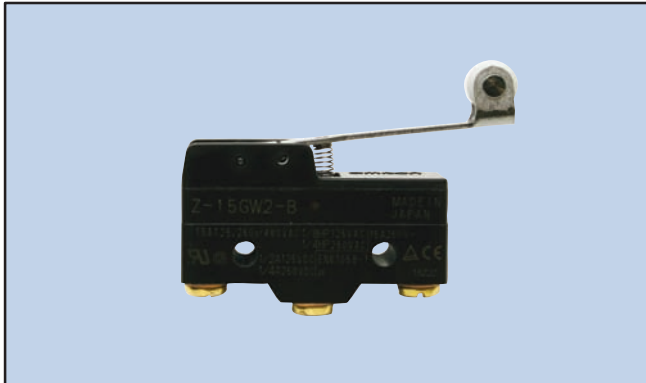
## Standard



S57

### Features

- Actuator: Hinge Roller Lever



NTE Type No.	Circuitry	Max. Pre-Travel	Min. Over Travel	Max. Operating Force	Max. Differential	Diag No.
54-441	SPDT	0.16"	0.04"	100g	0.04"	S57

## Specifications

**Current Rating:** 15A 125/250/480VAC, 0.5A 125VDC, 0.25A 250VDC  
1/8 HP 125VAC, 1/4 HP 250VA  
**Contact Resistance:** 50 Milliohms (max.) initial  
**Insulation Resistance:** 100 Megohms at 500VDC  
**Dielectric Strength:** 1000VAC (50/60Hz for 1 minute)  
**Temperature Rating:** -13° to +176°F (-25° to +80°C) with no icing  
**Electrical Life:** 500,000 cycles min. (under rated load)  
**Mechanical Life:** 20,000,000 cycles min.  
**Terminal Type:** Screw Terminal

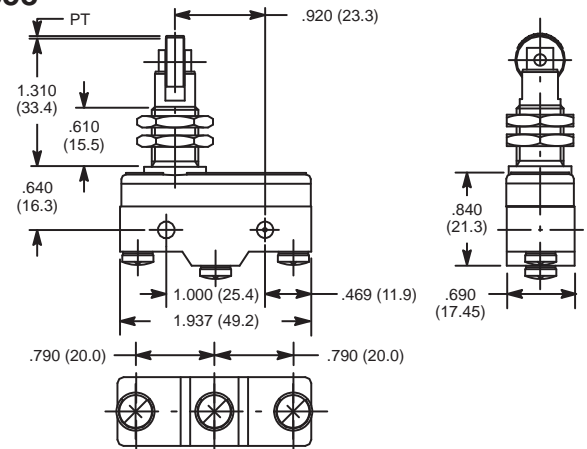
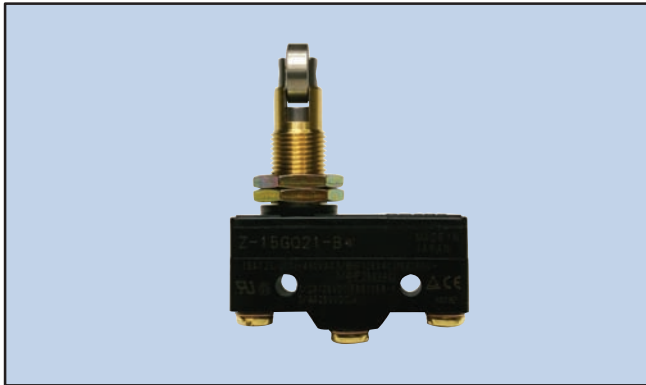
## Standard



S58

### Features

- Actuator: Panel Mount Cross Roller Plunger



NTE Type No.	Circuitry	Max. Pre-Travel	Min. Over Travel	Max. Operating Force	Max. Differential	Diag No.
54-442	SPDT	0.02"	0.14"	350g	0.002"	S58

## Specifications

**Current Rating:** 15A 125/250/480VAC, 0.5A 125VDC, 0.25A 250VDC  
1/8 HP 125VAC, 1/4 HP 250VA  
**Contact Resistance:** 50 Milliohms (max.) initial  
**Insulation Resistance:** 100 Megohms at 500VDC  
**Dielectric Strength:** 1000VAC (50/60Hz for 1 minute)  
**Temperature Rating:** -13° to +176°F (-25° to +80°C) with no icing  
**Electrical Life:** 500,000 cycles min. (under rated load)  
**Mechanical Life:** 20,000,000 cycles min.  
**Terminal Type:** Screw Terminal

# Snap Action Switches

## Standard



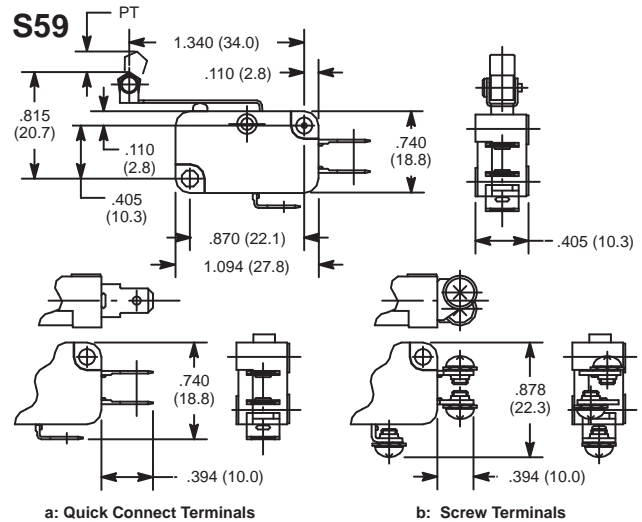
### Features

- Actuator: Hinge Roller Lever
- Screw or Quick Connect Terminals



NTE Type No.	Circuitry	Max. Pre-Travel	Min. Over Travel	Max. Operating Force	Max. Differential	Diag No.
54-400 *	SPDT	0.13"	0.09"	125g	0.03"	S59a
54-405 *	SPDT	0.13"	0.09"	115g	0.03"	S59b
54-406	SPDT	0.13"	0.09"	60g	0.03"	S59a

\* Not UL approved or CSA compliant.



## Specifications

**Current Rating:** 15A 250VAC, 0.1A 125VDC (54-400, 54-405)  
10A 250VAC, 0.1A 125VDC (54-406)

**Contact Resistance:** 15 Milliohms (15A); 30 Milliohms (10A)(max.) initial

**Insulation Resistance:** 100 Megohms at 500VDC

**Dielectric Strength:** 1000VAC between non-continuous terminals

**Temperature Rating:** -13° to +176°F (-25° to +80°C)

**Electrical Life:** 100,000 (15A); 300,000 (10A) cycles min. (under rated load)

**Mechanical Life:** 50,000,000 cycles min.

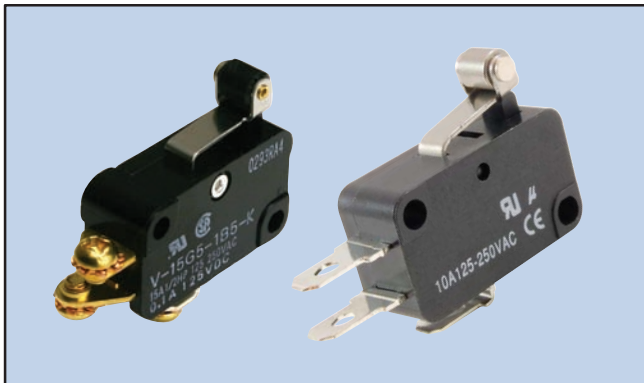
**Terminal Type:** Refer to Diag No. in Table

## Standard



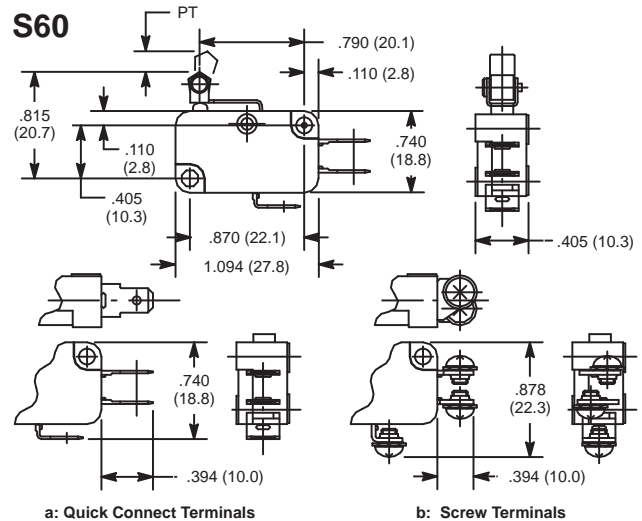
### Features

- Actuator: Short Hinge Roller Lever
- Screw or Quick Connect Terminals



NTE Type No.	Circuitry	Max. Pre-Travel	Min. Over Travel	Max. Operating Force	Max. Differential	Diag No.
54-401	SPDT	0.06"	0.04"	240g	0.02"	S60b
54-407 *	SPDT	0.06"	0.04"	240g	0.02"	S60a
54-408	SPDT	0.06"	0.04"	120g	0.02"	S60a

\* Not UL approved or CSA compliant.



## Specifications

**Current Rating:** 15A 250VAC, 0.1A 125VDC (54-401)  
10A 250VAC, 0.1A 125VDC (54-407, 54-408)

**Contact Resistance:** 15 Milliohms (15A); 30 Milliohms (10A)(max.) initial

**Insulation Resistance:** 100 Megohms at 500VDC

**Dielectric Strength:** 1000VAC between non-continuous terminals

**Temperature Rating:** -13° to +176°F (-25° to +80°C)

**Electrical Life:** 100,000 (15A); 300,000 (10A) cycles min. (under rated load)

**Mechanical Life:** 50,000,000 cycles min.

**Terminal Type:** Refer to Diag No. in Table

# Snap Action Switches

## Standard



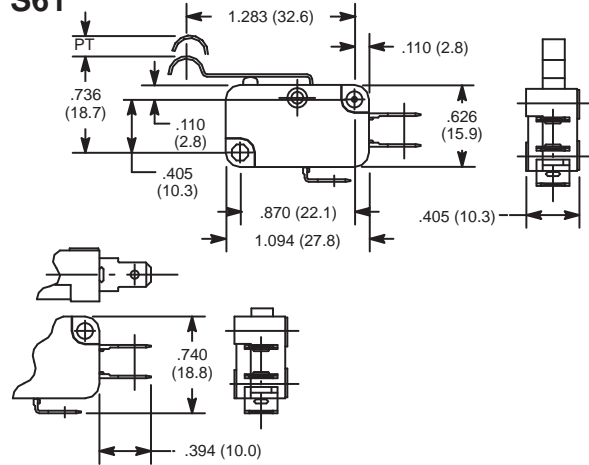
### Features

- Actuator: Simulated Roller Lever



NTE Type No.	Circuitry	Max. Pre-Travel	Min. Over Travel	Max. Operating Force	Max. Differential	Diag No.
54-402	SPDT	0.13"	0.09"	125g	0.03"	S61
54-422	SPDT	0.13"	0.09"	60g	0.03"	S61

S61



Quick Connect Terminals

## Specifications

**Current Rating:** 15A 250VAC, 0.1A 125VDC (54-402)  
10A 250VAC, 0.1A 125VDC (54-422)

**Contact Resistance:** 15 Milliohms (15A); 30 Milliohms (10A)(max.) initial

**Insulation Resistance:** 100 Megohms at 500VDC

**Dielectric Strength:** 1000VAC between non-continuous terminals

**Temperature Rating:** -13° to +176°F (-25° to +80°C)

**Electrical Life:** 100,000 (15A); 300,000 (10A) cycles min. (under rated load)

**Mechanical Life:** 50,000,000 cycles min.

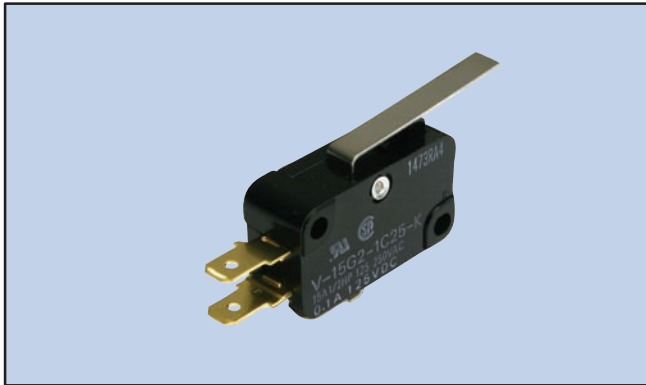
**Terminal Type:** .187" Quick Connect Terminals

## Standard



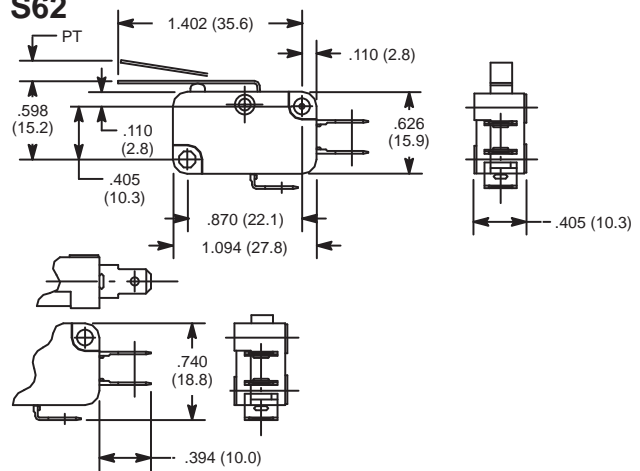
### Features

- Actuator: Hinge Lever



NTE Type No.	Circuitry	Max. Pre-Travel	Min. Over Travel	Max. Operating Force	Max. Differential	Diag No.
54-403	SPDT	0.13"	0.09"	125g	0.03"	S62
54-414	SPDT	0.13"	0.09"	60g	0.03"	S62

S62



Quick Connect Terminals

## Specifications

**Current Rating:** 15A 250VAC, 0.1A 125VDC (54-403)  
10A 250VAC, 0.1A 125VDC (54-414)

**Contact Resistance:** 15 Milliohms (max.) initial

**Insulation Resistance:** 100 Megohms at 500VDC

**Dielectric Strength:** 1000VAC between non-continuous terminals

**Temperature Rating:** -13° to +176°F (-25° to +80°C)

**Electrical Life:** 100,000 cycles min. (under rated load)

**Mechanical Life:** 50,000,000 cycles min.

**Terminal Type:** .187" Quick Connect Terminals

# Snap Action Switches

## Standard

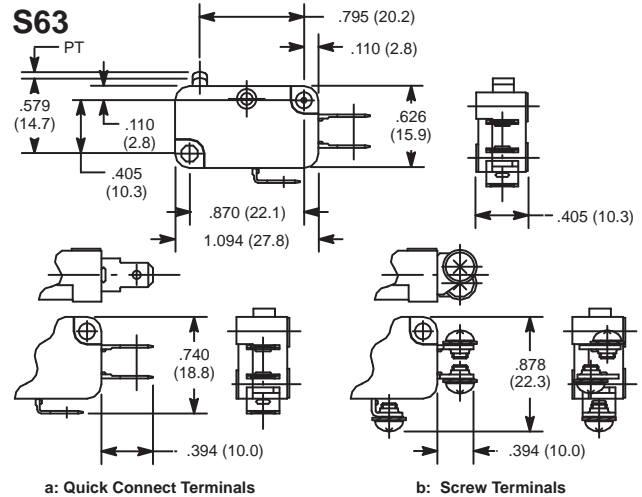


### Features

- Actuator: Pin Plunger
- Screw or Quick Connect Terminals



NTE Type No.	Circuitry	Current Rating	Max. Pre-Travel	Min. Over Travel	Max. Operating Force	Max. Differential	Diag No.
54-404	SPDT	A	0.06"	0.04"	100g	0.02"	S63a
54-411	SPDT	A	0.05"	0.05"	100g	0.01"	S63a
54-412	SPST-NC	C	0.72"	0.69"	110g	0.01"	S63a
54-413	SPST-NO	C	0.72"	0.69"	110g	0.01"	S63a
54-415	SPDT	B	0.05"	0.05"	200g	0.01"	S63b
54-419	SPDT	A	0.05"	0.03"	250g	0.02"	S63a
54-420	SPDT	A	0.05"	0.05"	200g	0.01"	S63a



## Specifications

### Current Rating:

- A: 10A 250VAC, 0.1A 125VDC
- B: 15A 250VAC, 0.1A 125VDC
- C: 15A 250VAC, 15A 125VAC

**Contact Resistance:** 15 Milliohms (15A); 30 Milliohms (10A)(max.) initial

**Insulation Resistance:** 100 Megohms at 500VDC

**Dielectric Strength:** 1000VAC between non-continuous terminals

**Temperature Rating:** -13° to +176°F (-25° to +80°C)

**Electrical Life:** 100,000 (15A); 300,000 (10A) cycles min. (under rated load)

**Mechanical Life:** 50,000,000 cycles min.  
**Terminal Type:** Refer to Diag No. in Table

## Standard

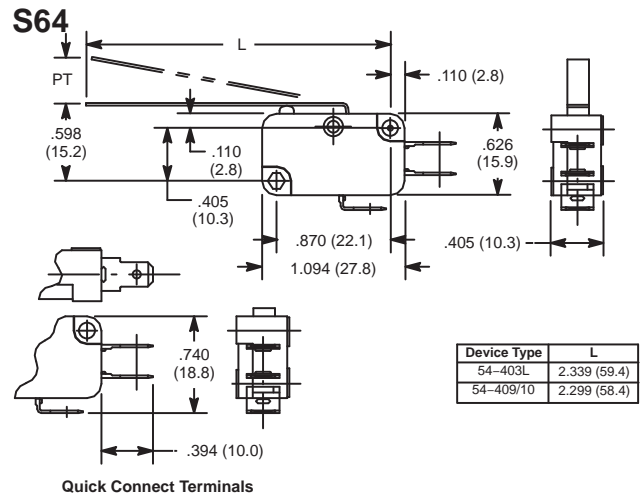


### Features

- Actuator: Long Hinge Lever



NTE Type No.	Circuitry	Max. Pre-Travel	Min. Over Travel	Max. Operating Force	Max. Differential	Diag No.
54-403L	SPDT	0.35"	0.12"	70g	0.08"	S64
54-409	SPDT	0.30"	0.13"	35g	0.08"	S64
54-410	SPDT	0.35"	0.12"	70g	0.08"	S64



## Specifications

**Current Rating:** 10A 250VAC, 0.1A 125VDC (54-409, 54-410)  
 15A 250VAC, 0.1A 125VDC (54-403L)

**Contact Resistance:** 30 Milliohms (max.) initial

**Insulation Resistance:** 100 Megohms at 500VDC

**Dielectric Strength:** 1000VAC between non-continuous terminals

**Temperature Rating:** -13° to +176°F (-25° to +80°C)

**Electrical Life:** 300,000 cycles min. (under rated load)

**Mechanical Life:** 50,000,000 cycles min.

**Terminal Type:** .187" Quick Connect Terminals

# Snap Action Switches

## Standard



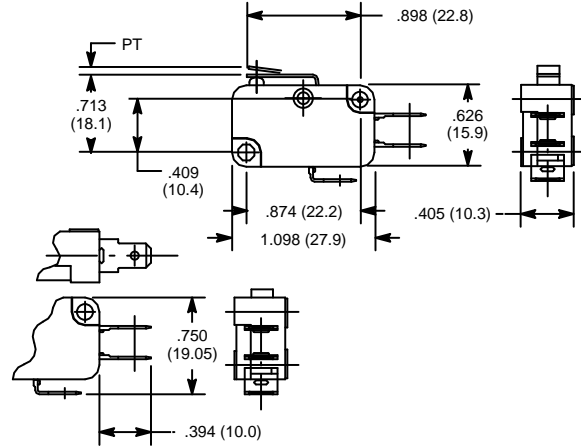
### Features

- Actuator: Short Hinge Lever



NTE Type No.	Circuitry	Max. Pre-Travel	Min. Over Travel	Max. Operating Force	Max. Differential	Diag No.
54-421	SPDT	0.04"	-	200g	-	S65

## S65



Quick Connect Terminals

## Specifications

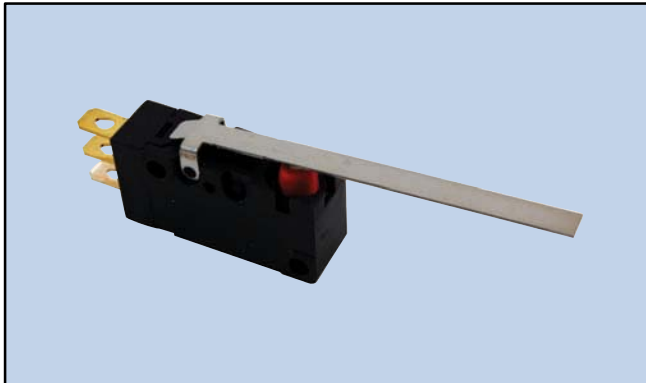
- Current Rating:** 10A 125/250VAC
- Contact Resistance:**  $\leq 100$  Milliohms, initial value
- Insulation Resistance:**  $\geq 100$  Megohms at 500VDC
- Dielectric Strength:** 1500VAC, 1 minute
- Temperature Rating:**  $-13^{\circ}$  to  $+185^{\circ}$ F ( $-25^{\circ}$  to  $+85^{\circ}$ C)
- Electrical Life:** 10,000 cycles min. (under rated load)
- Mechanical Life:** 1,000,000 cycles min.
- Terminal Type:** .187" Quick Connect Terminals

## Sealed, Miniature



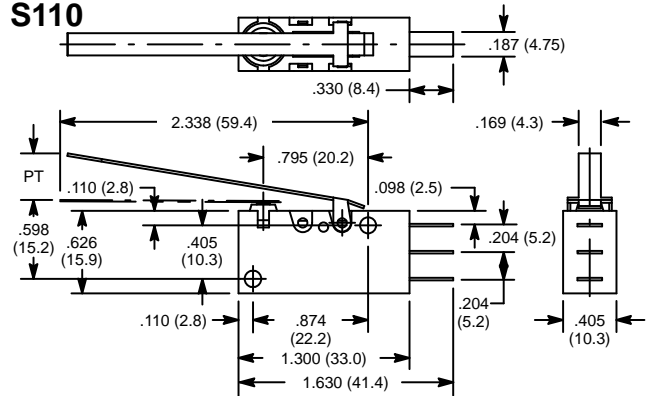
### Features

- Actuator: Long Hinge Lever
- Sealed Construction (Meets IP50 Requirements)
- RoHS Compliant



NTE Type No.	Circuitry	Max. Pre-Travel	Min. Over Travel	Max. Operating Force	Max. Differential	Diag No.
54-480WT	SPDT	0.35"	0.13"	60g	0.03"	S110
54-481WT	SPDT	0.25"	0.10"	20g	0.09"	S110

## S110



## Specifications

- Current Rating:**
  - 54-480WT: 5A 125/250VAC (Note: UL/CSA for 3 Amp Only), 5A 30VDC, 0.4A 125VDC, 0.2A 250VDC
  - 54-481WT: 0.1A 125/250VAC, 0.1A 48VDC
- Contact Resistance:** 100 Milliohms (max.) initial
- Insulation Resistance:** 100 Megohms (min.) at 500VDC
- Dielectric Strength (50/60Hz for 1 min.):**
  - Between Contacts of Same Polarity: 1000VAC
  - Between Each Terminal & GND: 1500VAC
- Temperature Rating:**  $-40^{\circ}$  to  $+194^{\circ}$ F ( $-40^{\circ}$  to  $+90^{\circ}$ C)
- Electrical Life:** 100,000 (5A Type); 1,000,000 (0.1A Type) cycles min.
- Mechanical Life:** 10,000,000 cycles min.
- Terminal Type:** Solder Lug and #187 Tab Terminals



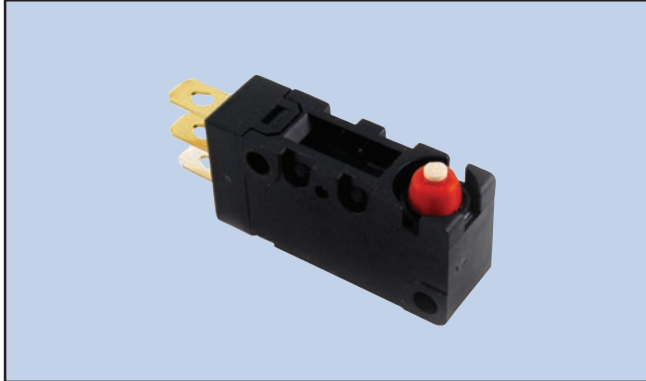
# Snap Action Switches

## Sealed, Miniature



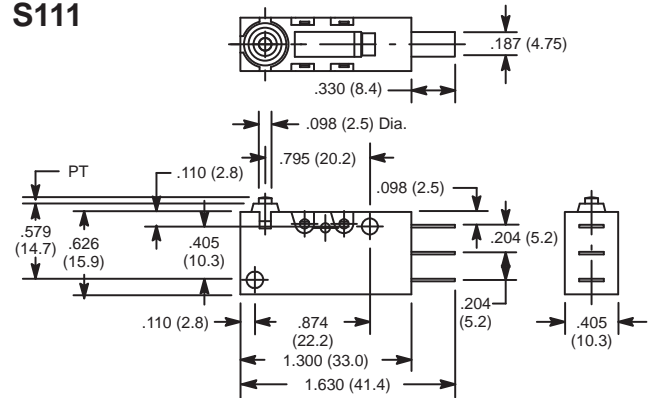
### Features

- Actuator: Pin Plunger
- Sealed Construction (Meets IP50 Requirements)
- RoHS Compliant



NTE Type No.	Circuitry	Max. Pre-Travel	Min. Over Travel	Max. Operating Force	Max. Differential	Diag No.
54-482WT	SPDT	0.05"	0.04"	200g	0.016"	S111
54-483WT	SPDT	0.05"	0.04"	200g	0.016"	S111

### S111



## Specifications

### Current Rating:

54-482WT: 5A 125/250VAC (Note: UL/CSA for 3 Amp Only),  
5A 30VDC, 0.4A 125VDC, 0.2A 250VDC

54-483WT: 0.1A 125VAC, 0.1A 30VDC

**Contact Resistance:** 100 Milliohms (max.) initial

**Insulation Resistance:** 100 Megohms (min.) at 500VDC

**Dielectric Strength (50/60Hz for 1 min.):**

Between Contacts of Same Polarity: 1000VAC

Between Each Terminal & GND: 1500VAC

**Temperature Rating:** -40° to +194°F (-40° to +90°C)

**Electrical Life:** 100,000 (5A Type); 1,000,000 (0.1A Type) cycles min.

**Mechanical Life:** 10,000,000 cycles min.

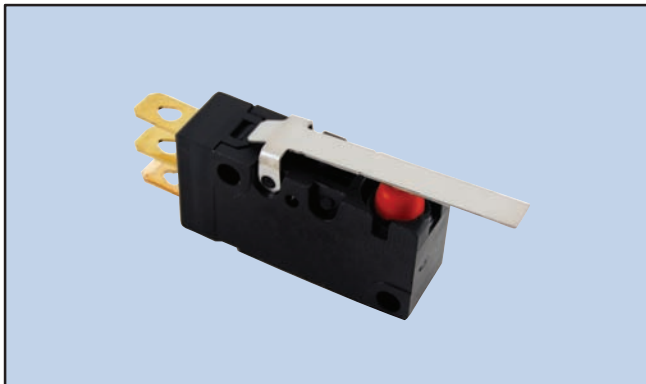
**Terminal Type:** Solder Lug and #187 Tab Terminals

## Sealed, Miniature



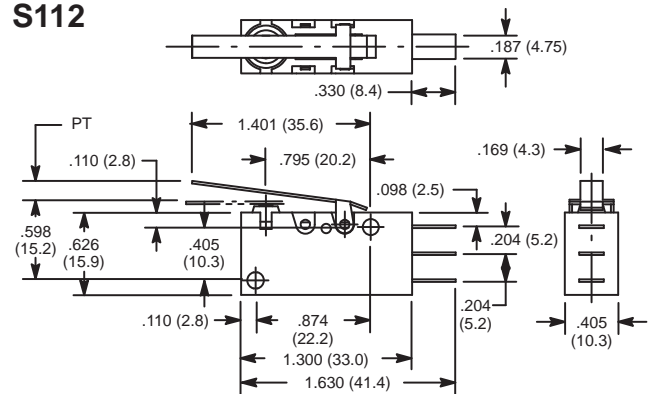
### Features

- Actuator: Hinge Lever
- Sealed Construction (Meets IP50 Requirements)
- RoHS Compliant



NTE Type No.	Circuitry	Max. Pre-Travel	Min. Over Travel	Max. Operating Force	Max. Differential	Diag No.
54-484WT	SPDT	0.13"	0.051"	130g	0.047"	S112
54-485WT	SPDT	0.13"	0.05"	130g	0.047"	S112

### S112



## Specifications

### Current Rating:

54-484WT: 5A 125/250VAC, 5A 30VDC

54-485WT: 0.1A 125/250VAC, 0.1A 48VDC

**Contact Resistance:** 100 Milliohms (max.) initial

**Insulation Resistance:** 100 Megohms (min.) at 500VDC

**Dielectric Strength (50/60Hz for 1 min.):**

Between Contacts of Same Polarity: 1000VAC

Between Each Terminal & GND: 1500VAC

**Temperature Rating:** -40° to +194°F (-40° to +90°C)

**Electrical Life:** 100,000 (5A Type); 1,000,000 (0.1A Type) cycles min.

**Mechanical Life:** 10,000,000 cycles min.

**Terminal Type:** Solder Lug and #187 Tab Terminals



# Snap Action Switches

## Sealed, Miniature



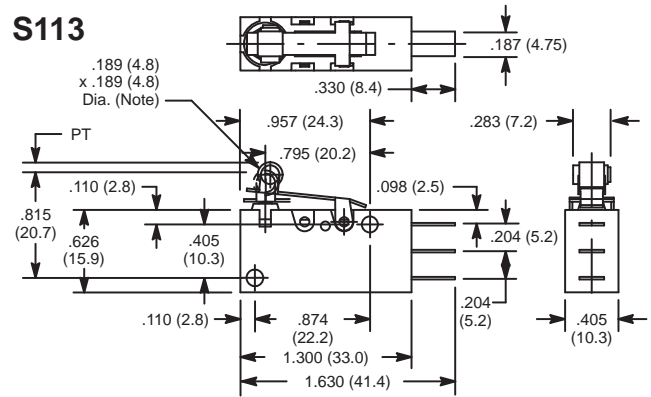
### Features

- Actuator: Short Hinge Roller Lever
- Sealed Construction (Meets IP50 Requirements)
- RoHS Compliant



NTE Type No.	Circuitry	Max. Pre-Travel	Min. Over Travel	Max. Operating Force	Max. Differential	Diag No.
54-486WT	SPDT	0.06"	0.03"	230g	0.02"	S113
54-487WT	SPDT	0.06"	0.03"	230g	0.02"	S113

### S113



Note: Oilless polyacetal resin roller

## Specifications

### Current Rating:

**54-486WT:** 5A 125/250VAC (Note: UL/CSA for 3 Amp Only), 5A 30VDC, 0.4A 125VDC, 0.2A 250VDC

**54-487WT:** 0.1A 125VAC, 0.1A 30VDC

**Contact Resistance:** 100 Milliohms (max.) initial

**Insulation Resistance:** 100 Megohms (min.) at 500VDC

**Dielectric Strength (50/60Hz for 1 min.):**

**Between Contacts of Same Polarity:** 1000VAC

**Between Each Terminal & GND:** 1500VAC

**Temperature Rating:** -40° to +194°F (-40° to +90°C)

**Electrical Life:** 100,000 (5A Type); 1,000,000 (0.1A Type) cycles min.

**Mechanical Life:** 10,000,000 cycles min.

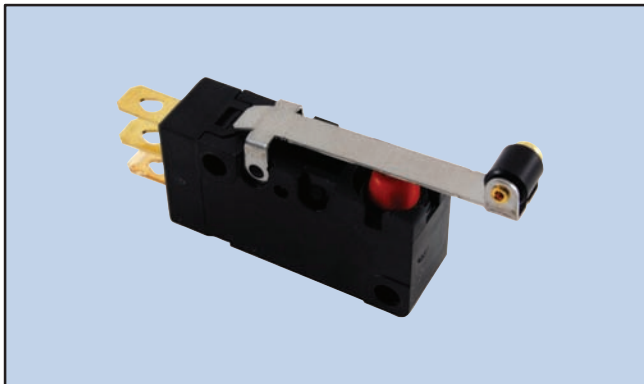
**Terminal Type:** Solder Lug and #187 Tab Terminals

## Sealed, Miniature



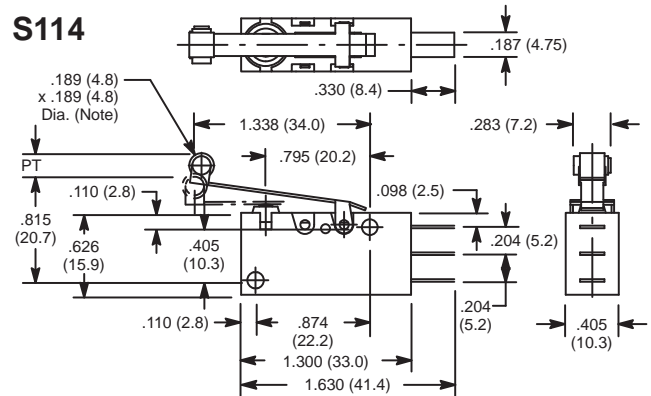
### Features

- Actuator: Hinge Roller Lever
- Sealed Construction (Meets IP50 Requirements)
- RoHS Compliant



NTE Type No.	Circuitry	Max. Pre-Travel	Min. Over Travel	Max. Operating Force	Max. Differential	Diag No.
54-488WT	SPDT	0.16"	0.06"	120g	0.03"	S114
54-489WT	SPDT	0.16"	0.06"	120g	0.03"	S114

### S114



Note: Oilless polyacetal resin roller

## Specifications

### Current Rating:

**54-488WT:** 5A 125/250VAC (Note: UL/CSA for 3 Amp Only), 5A 30VDC, 0.4A 125VDC, 0.2A 250VDC

**54-489WT:** 0.1A 125VAC, 0.1A 30VDC

**Contact Resistance:** 100 Milliohms (max.) initial

**Insulation Resistance:** 100 Megohms (min.) at 500VDC

**Dielectric Strength (50/60Hz for 1 min.):**

**Between Contacts of Same Polarity:** 1000VAC

**Between Each Terminal & GND:** 1500VAC

**Temperature Rating:** -40° to +194°F (-40° to +90°C)

**Electrical Life:** 100,000 (5A Type); 1,000,000 (0.1A Type) cycles min.

**Mechanical Life:** 10,000,000 cycles min.

**Terminal Type:** Solder Lug and #187 Tab Terminals