

P.W. BOARD PATTERN LAYOUT  
(REFERENCE)

注記 NOTES

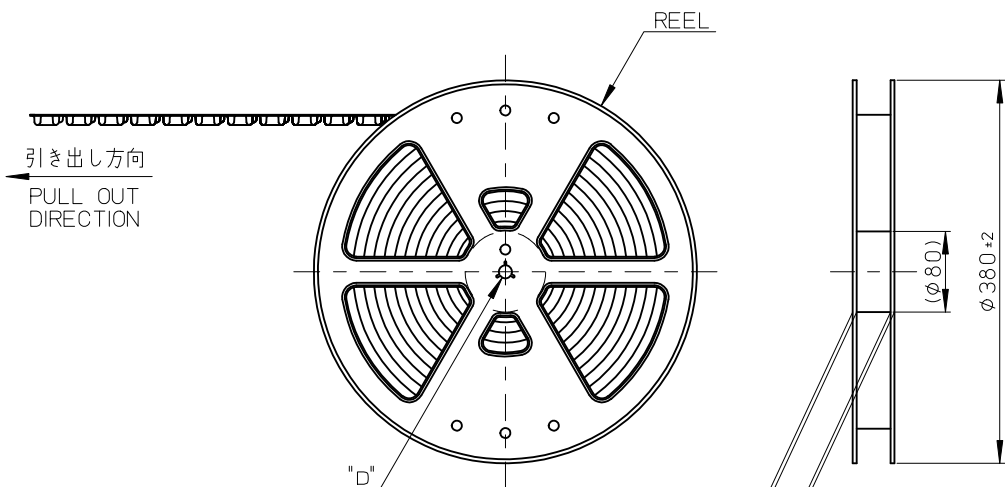
1. 使用材料 MATERIAL  
ハウジング: 液晶ポリマー(LCP)、ガラス充填、UL94 V-0、黒  
HOUSING: LIQUID CRYSTAL POLYMER (LCP),  
GLASS FILLED, UL94 V-0, BLACK  
ターミナル: 銅合金  
TERMINAL: COPPER ALLOY
2. めっき仕様 PLATING  
ターミナル TERMINAL  
コンタクト部: 金めっき  
テール部: 金めっき  
下地: ニッケルめっき  
\*コンタクト部とテール部は、ニッケルメッキによって  
分断された金メッキとなります。  
CONTACT AREA: GOLD PLATING  
SOLDER TAIL AREA: GOLD PLATING  
UNDERPLATE: NICKEL PLATING  
\* GOLD PLATING AREA IS DIVIDED INTO  
CONTACT AREA AND SOLDER TAIL AREA  
BY NICKEL PLATING.
- △ (全極数/2) = 偶数の場合に適用。  
APPLY ONLY WHEN ONE-HALF OF  
THE NUMBER OF CIRCUITS IS EVEN NUMBER.
4. 嵌合相手: 503836シリーズ  
MATE WITH: 503836 SERIES
5. テール平坦度は、0.1MAX.  
TAIL COPLANARITY TO BE 0.1 MAXIMUM.
6. ELV及びRoHS適合品  
ELV AND RoHS COMPLIANT.

4.0	5.95	503839-1810	18
B	A	MATERIAL NO.	CIRCUIT

RELEASED EC NO: J2012-1383 DRW: MTAKAHASHI 03 2012/05/14 CHK: RTAKEUCHI 2012/05/14 APPR: MSASAO 2012/05/14	GENERAL TOLERANCES (UNLESS SPECIFIED)		DIMENSION STYLE <b>MM ONLY</b>		SCALE <b>10:1</b>	DESIGN UNITS <b>METRIC</b>	THIRD ANGLE PROJECTION
	10 UNDER	±0.2	DRAWN BY MTAKAHASHI	DATE 2012/05/14	TITLE <b>0.5 BB CONN. HGT=2.5 PLUG ASSY</b>		
	10 OVER 30 UNDER	±0.25	CHECKED BY RTAKEUCHI	DATE 2012/05/14			
	30 OVER	±0.3	APPROVED BY MSASAO	DATE 2012/05/14	<b>molex</b>		
	ANGULAR ±1 °		MATERIAL NO.	DOCUMENT NO.			
DRAFT WHERE APPLICABLE MUST REMAIN WITHIN DIMENSIONS		SEE CHART		SD-503839-001		1 OF 1	
SIZE <b>A3</b>		THIS DRAWING CONTAINS INFORMATION THAT IS PROPRIETARY TO MOLEX INCORPORATED AND SHOULD NOT BE USED WITHOUT WRITTEN PERMISSION					

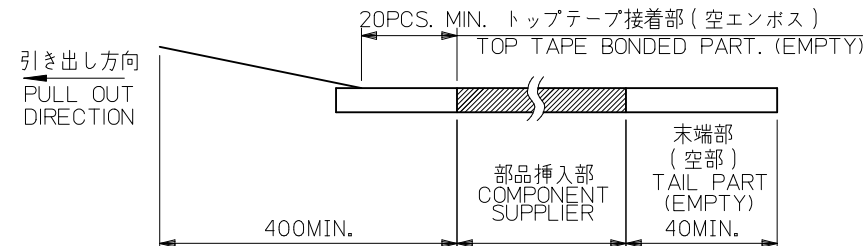
注記 NOTES

- 製品詳細寸法については製品単体図面を参照下さい。  
FOR DETAIL OF CONNECTOR DIMENSIONS,  
PLEASE SEE THE DRAWING OF CONNECTOR ITSELF (NOT PACKAGED).
- 梱包数量: 2500 個/リール  
NUMBER OF CONNECTORS : 2500PCS/REEL
- リードテープ長さ LEAD TAPE LENGTH



引き出し方向  
PULL OUT  
DIRECTION

B±1  
C±1



引き出し方向  
PULL OUT  
DIRECTION

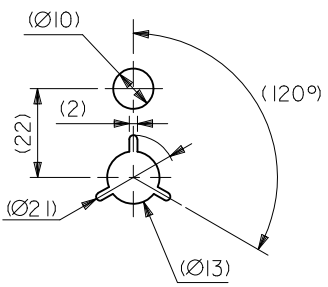
20PCS. MIN. トップテープ接着部 (空エンボス)  
TOP TAPE BONDED PART. (EMPTY)

部品挿入部  
COMPONENT  
SUPPLIER

400MIN.

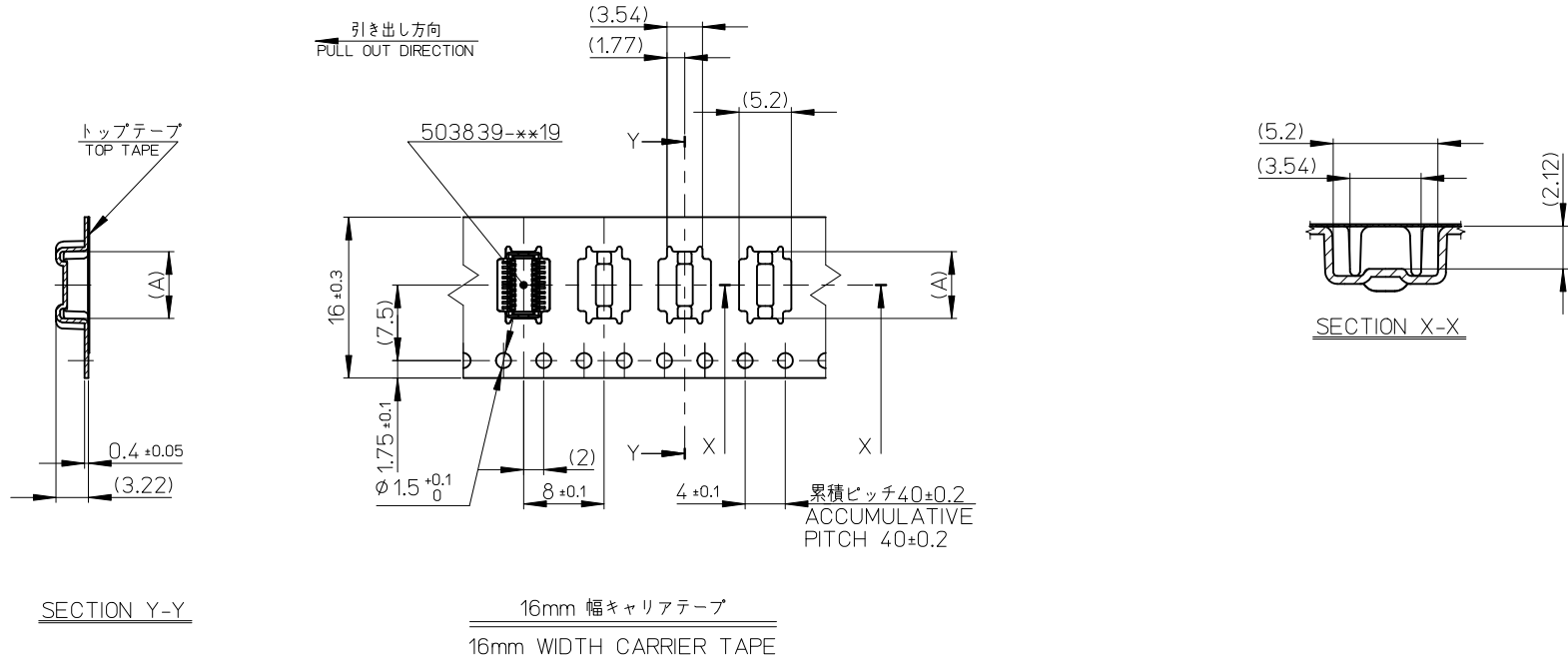
末端部  
(空部)  
TAIL PART  
(EMPTY)  
40MIN.

- 材料 MATERIAL  
キャリアテープ (CARRIER TAPE): ポリスチレン (POLYSTYRENE)  
トップテープ (TOP TAPE): PET, OTHER  
リール (REEL): ポリスチレン (PS) <リサイクル材を含む>  
POLYSTYRENE (PS) <RECYCLE MATERIAL CONTAINED>
- ELV及びRoHS適合品  
ELV AND RoHS COMPLIANT



DETAIL "D"

RELEASED EC NO.: J2012-1387 DRWN: MTAKAHASHI 03 2012/05/15 CHK'D: RTAKEUCHI 2012/05/15 APPR: MSASAO 2012/05/16	GENERAL TOLERANCES (UNLESS SPECIFIED)		DIMENSION STYLE MM ONLY		SCALE ---	DESIGN UNITS METRIC	MODEL NO.   503839-**10
	10 UNDER	±---	DRAWN BY DATE MTAKAHASHI 03 2012/05/15		TITLE 0.5 BB CONN. H=2.5 PLUG ASSY EMBSTP PKG		
	10 OVER 30 UNDER	±---	CHECKED BY DATE RTAKEUCHI 2012/05/15				
	30 OVER	±---	APPROVED BY DATE MSASAO 2012/05/16				
ANGULAR	±---°	MATERIAL NO.		DOCUMENT NO.		SHEET NO.	
DRAFT WHERE APPLICABLE MUST REMAIN WITHIN DIMENSIONS		SEE TABLE		SD-503839-002		1 OF 2	
		THIS DRAWING CONTAINS INFORMATION THAT IS PROPRIETARY TO MOLEX INCORPORATED AND SHOULD NOT BE USED WITHOUT WRITTEN PERMISSION					



16	21.4	17.4	6.15	503839-1810	18
キャリアテープ幅 CARRIER TAPE WIDTH			C	B	(A)
			MATERIAL No.		CKT.
			MODEL No.		503839-**10

RELEASED EC NO.: J2012-1387 DRWN: MTAKAHASHI 03 2012/05/15 CH'KD: RTAKEUCHI 2012/05/15 APPR: MSASAO 2012/05/16	DESCRIPTION REV: 0	GENERAL TOLERANCES (UNLESS SPECIFIED)		DIMENSION STYLE MM ONLY		SCALE ---	DESIGN UNITS METRIC	THIRD ANGLE PROJECTION		
		10 UNDER	± ---	DRAWN BY MTAKAHASHI 03		DATE 2012/05/15		TITLE 0.5 BB CONN. H=2.5 PLUG ASSY EMBSTP PKG		
		10 OVER 30 UNDER	± ---	CHECKED BY RTAKEUCHI		DATE 2012/05/15				
		30 OVER	± ---	APPROVED BY MSASAO		DATE 2012/05/16		MATERIAL NO. SEE CHART		
ANGULAR ± --- °		DRAFT WHERE APPLICABLE MUST REMAIN WITHIN DIMENSIONS		DOCUMENT NO. SD-503839-002		SHEET NO. 2 OF 2				

**molex**