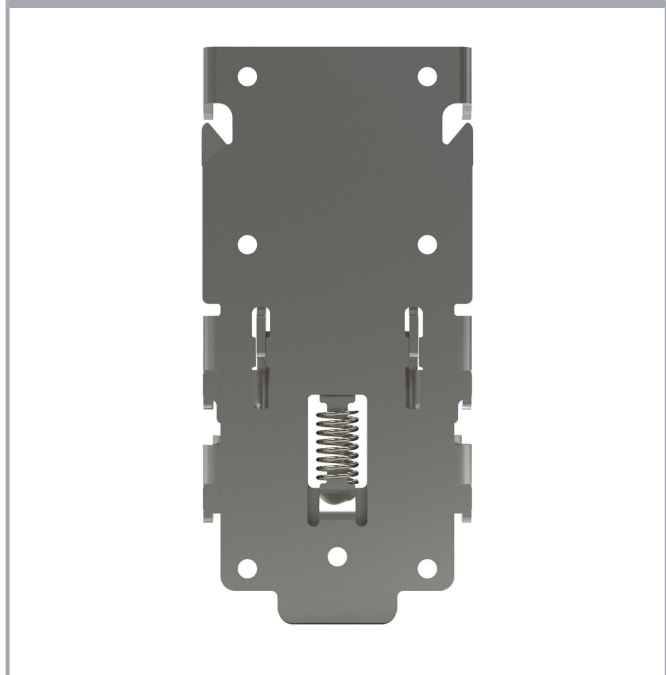
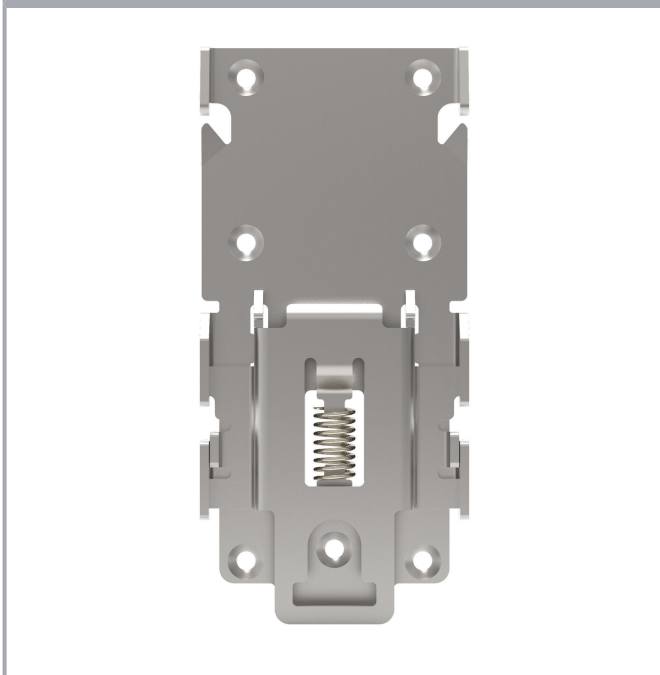
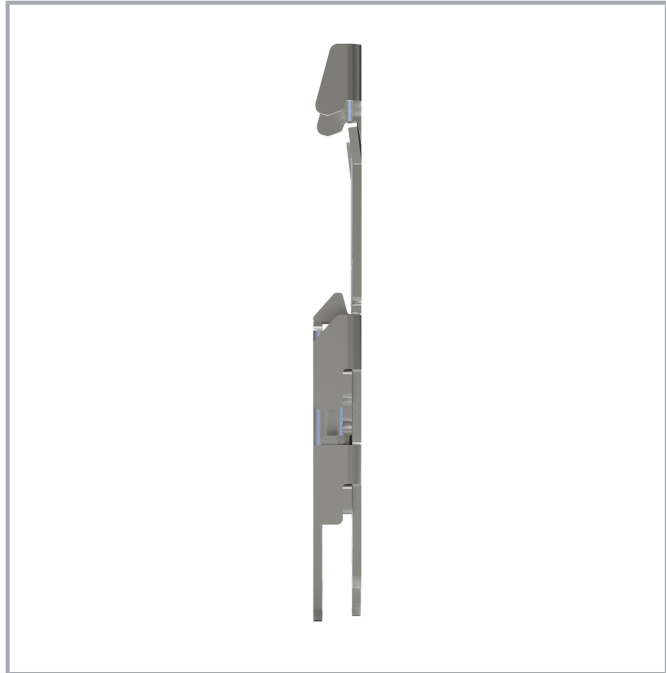


Data sheet | Item number: 2789-1145

Mounting carrier; 1.5 mm thick; carbon steel; for DIN-35 rail mounting; 45 mm

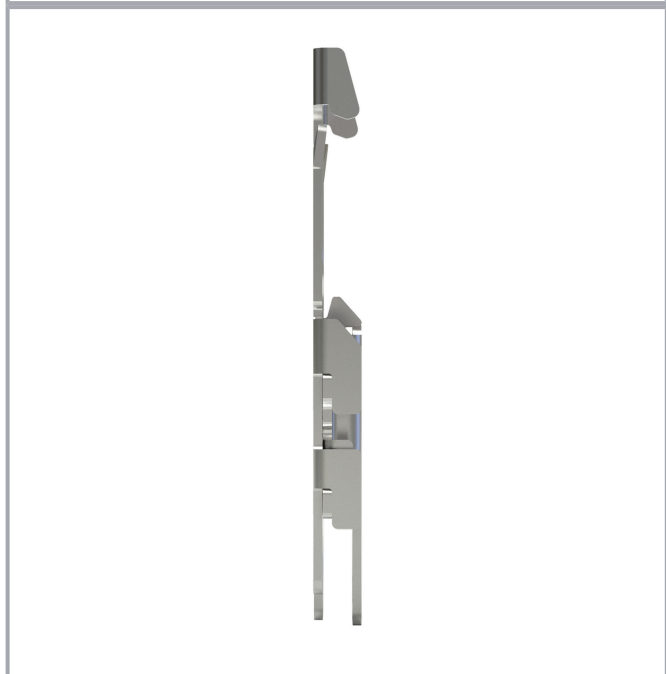
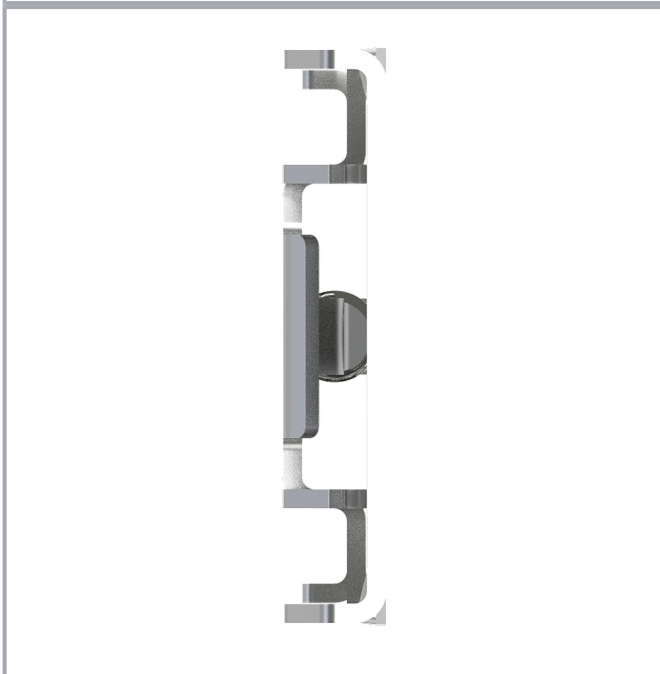
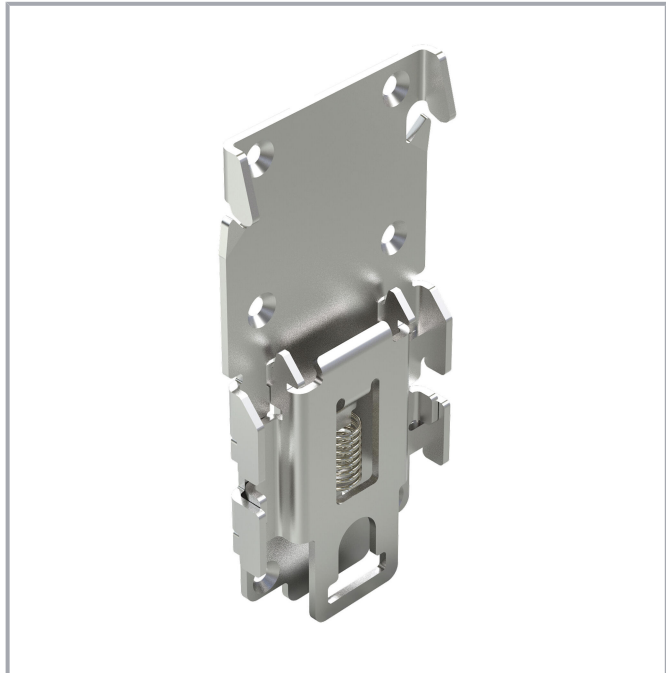
www.wago.com/2789-1145



Subject to changes. Please also observe the further product documentation!

WAGO GmbH & Co. KG
Hansastr. 27
32423 Minden
Phone: +49571 887-0 | Fax: +49571 887-169
Email: info.de@wago.com | Web: www.wago.com

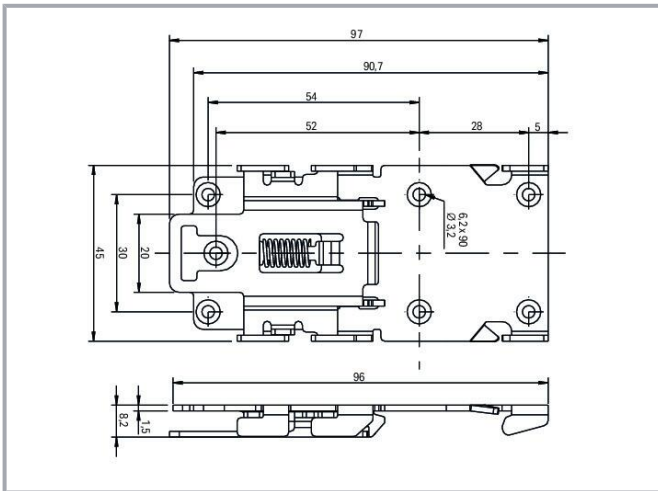
Do you have any questions about our products?
We are always happy to take your call at +49 (571) 887-44222.



Subject to changes. Please also observe the further product documentation!

WAGO GmbH & Co. KG
Hansastr. 27
32423 Minden
Phone: +49571 887-0 | Fax: +49571 887-169
Email: info.de@wago.com | Web: www.wago.com

Do you have any questions about our products?
We are always happy to take your call at +49 (571) 887-44222.



Data

Physical data

Width	45 mm / 1.77 inches
Height	96 mm / 3.78 inches
Depth from upper-edge of DIN-rail	1.5 mm / 0.06 inches

Material Data

Weight	68 g
--------	------

Commercial data

ETIM 8.0	EC002622
ETIM 7.0	EC002622
PU (SPU)	500 pcs
Packaging type	box
Country of origin	CN
GTIN	4055144012941
Customs tariff number	85049090000

Environmental Product Compliance

RoHS Compliance Status	Compliant, No Exemption
------------------------	-------------------------

Downloads

CAD/CAE-Data

Subject to changes. Please also observe the further product documentation!



CAD data

2D/3D Models 2789-1145

[URL](#)

[Download](#)

Environmental Product Compliance

Compliance Search

Environmental Product Compliance 2789-1145

[URL](#)

[Download](#)

Mounting carrier; 1.5 mm thick; carbon steel; for DIN-35 rail mounting; 45 mm

Installation Notes

Subject to changes. Please also observe the further product documentation!

WAGO GmbH & Co. KG

Hansastr. 27

32423 Minden

Phone: +49571 887-0 | Fax: +49571 887-169

Email: info.de@wago.com | Web: www.wago.com

Do you have any questions about our products?

We are always happy to take your call at +49 (571) 887-44222.