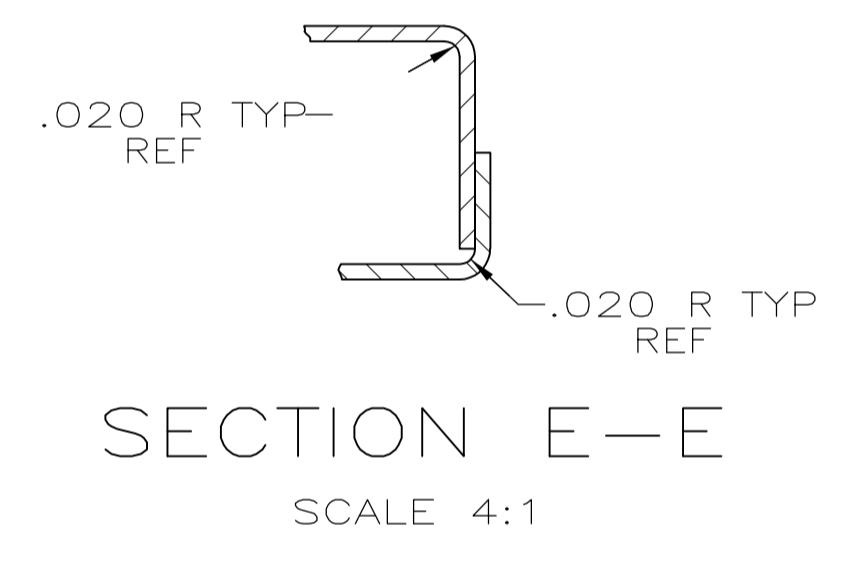
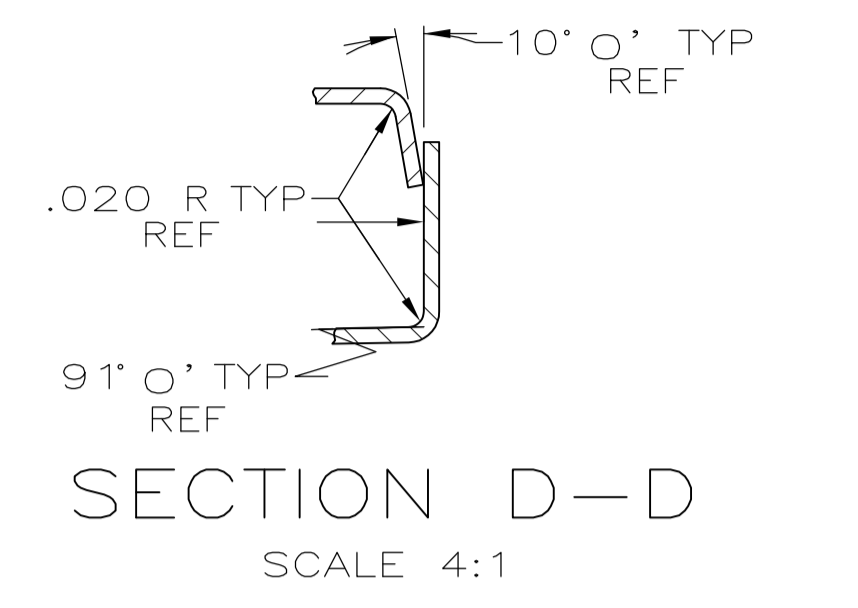
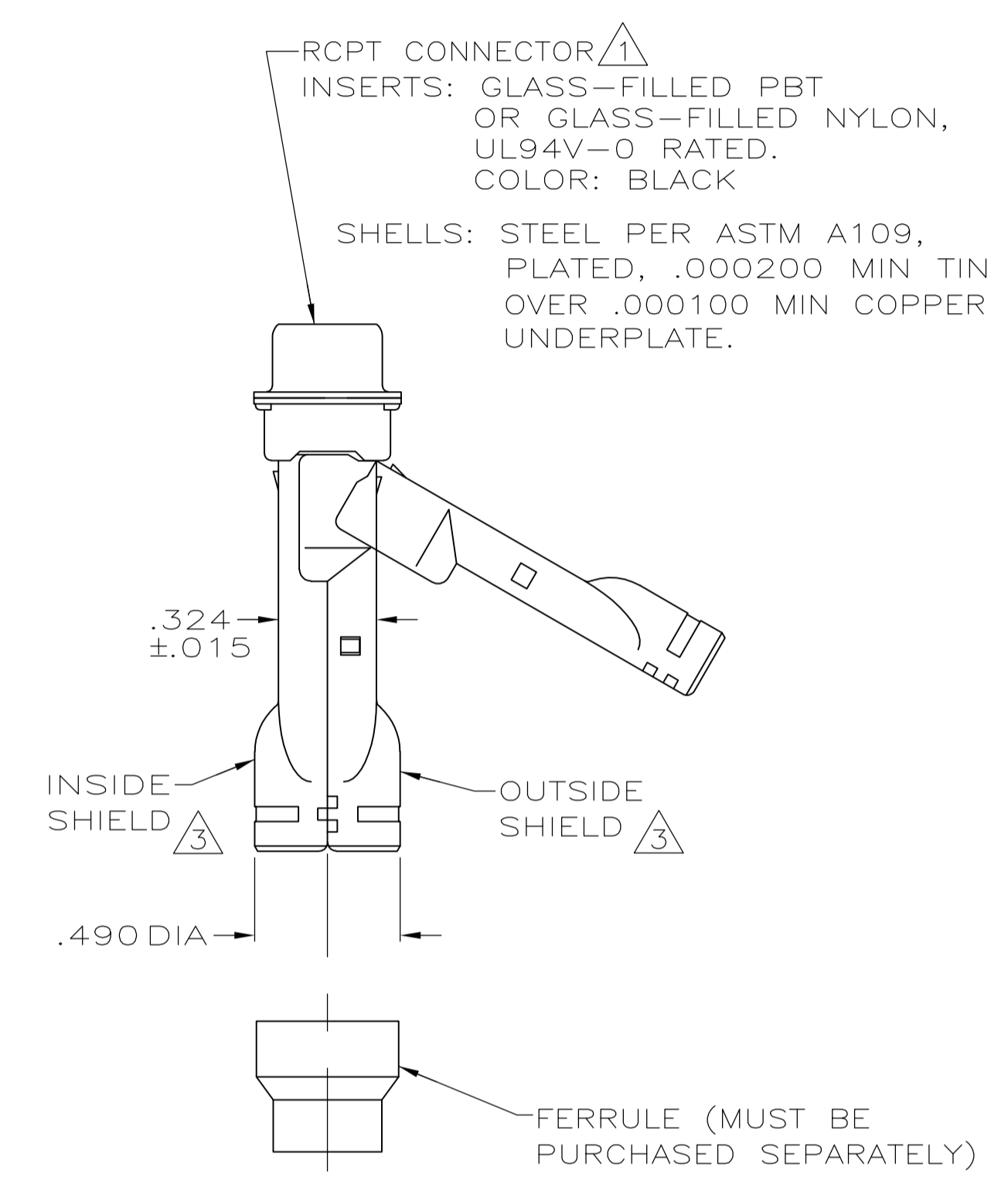
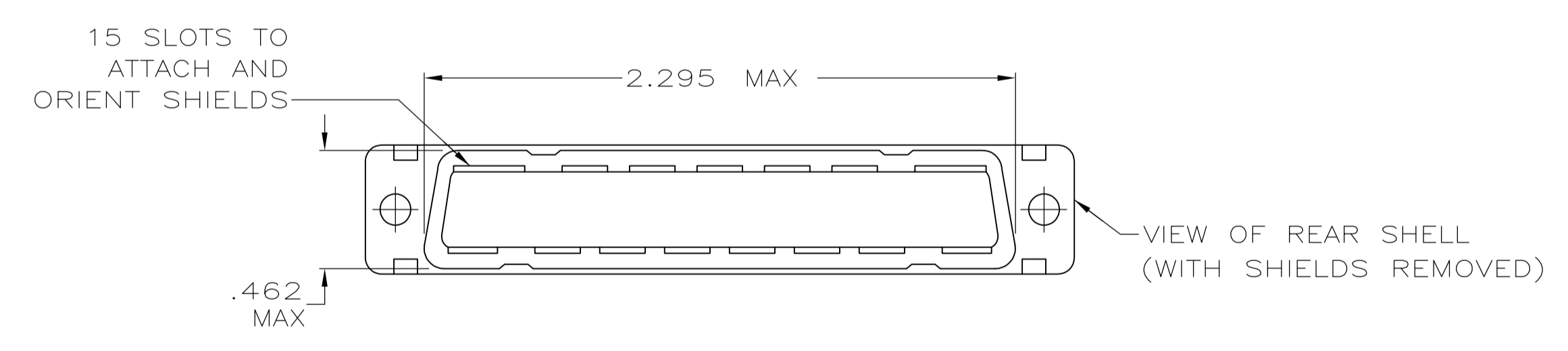
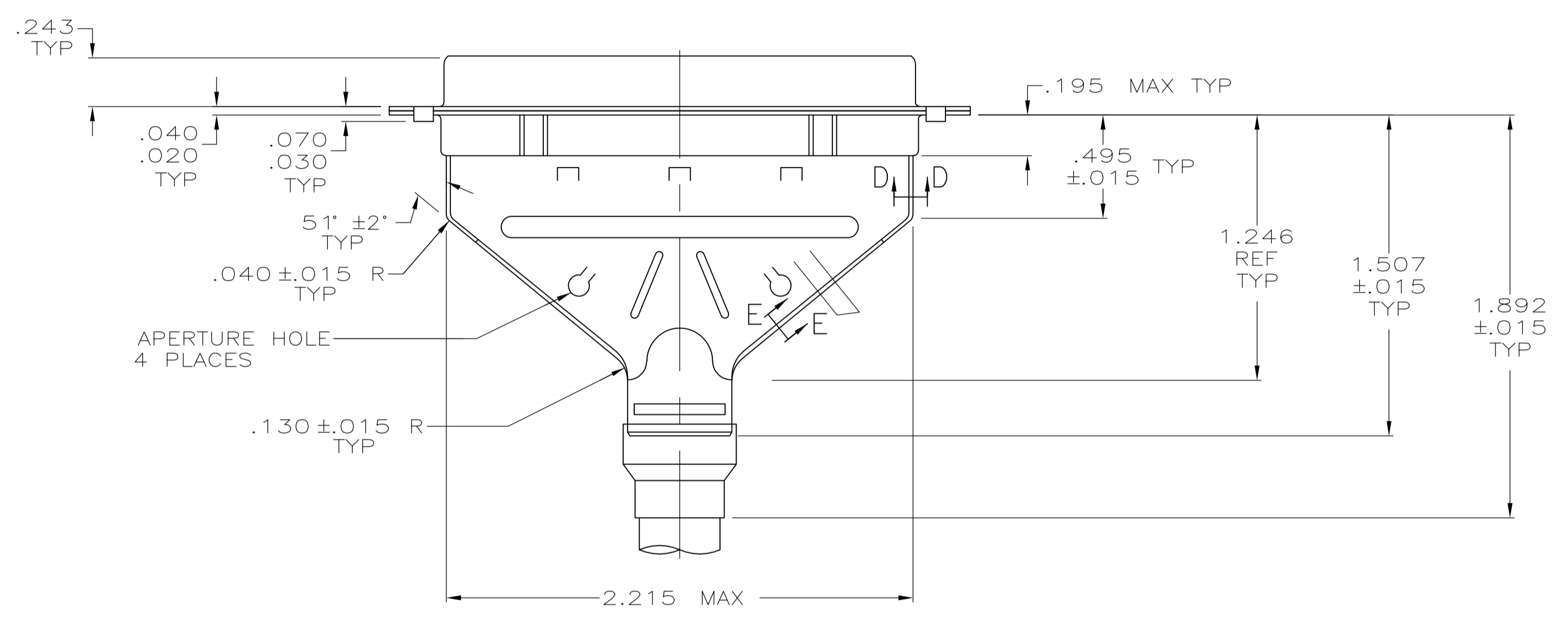
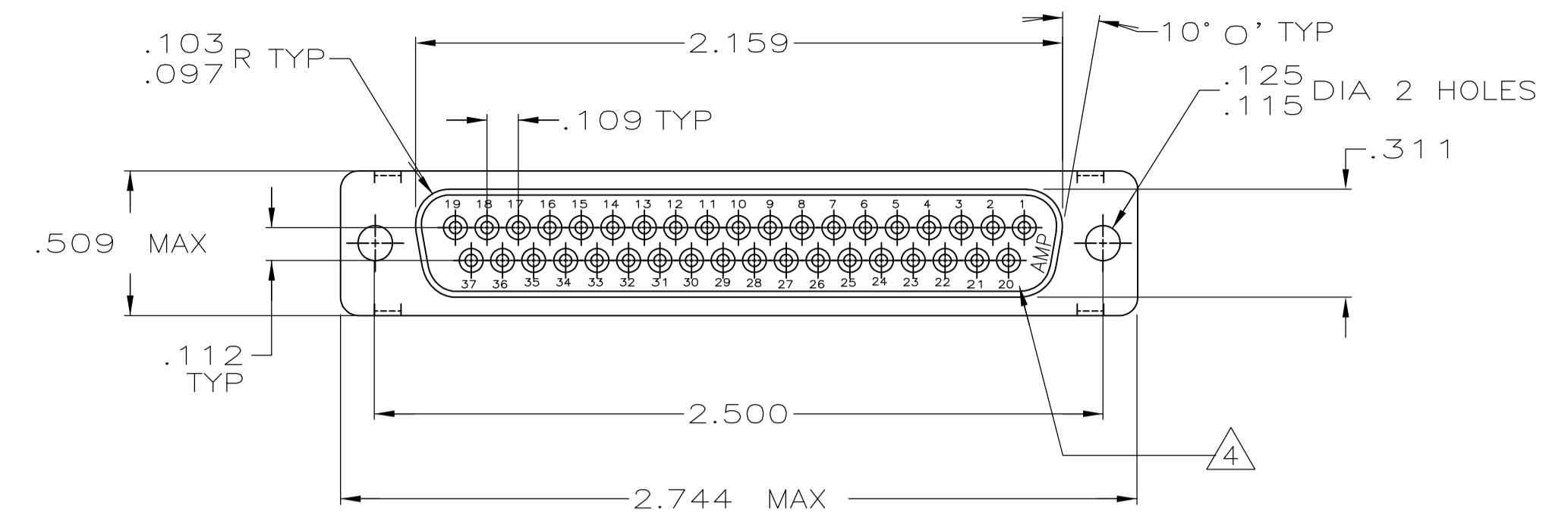


LOC		DIST		REVISIONS			
GP	00	REV	DATE	BY	APPV	DATE	BY
A		REVISED PER ECO-14-011808	09AUG2014	AP	SB		



- ① RCPT ACCEPTS SIZE 20 SOCKET CONTACTS (CONTACTS MUST BE ORDERED SEPARATELY).
- 2. ALL PARTS SHIPPED UNASSEMBLED, EACH PART INDIVIDUALLY BULK PACKED.
- ③ SHIELDS: MATERIAL—.020 THICK STEEL, PER ASTM A109, PLATED .000200 MIN TIN OVER .000100 MIN COPPER UNDERPLATE.
- ④ RAISED CAVITY IDENTIFICATION AND AMP TRADEMARK.

1658651-1
PART NUMBER

THIS DRAWING IS A CONTROLLED DOCUMENT.		DIN J. REITZEL 31JUL03	STE TE Connectivity	
DIMENSIONS: INCHES		CHK S. BOLASH 31JUL03	NAME	
TOLERANCES UNLESS OTHERWISE SPECIFIED:		APP'D M. WALMSLEY 31JUL03	KIT, RCPT, SHIELDING HARDWARE, SIZE 4, 37 POSN, AMPLIMITE™	
0 PLC ± -	1 PLC ± -	PRODUCT SPEC	108-40030	
2 PLC ± -	3 PLC ± .005	APPLICATION SPEC	114-40030	
4 PLC ± -	ANGLES ± ° 30°	SIZE	CAGE CODE	DRAWING NO
MATERIAL SEE CALL OUT ③	FINISH SEE CALL OUT ④	WEIGHT	A1 00779	1658651
CUSTOMER DRAWING		SCALE	2:1	SHEET 1 OF 1 REV A