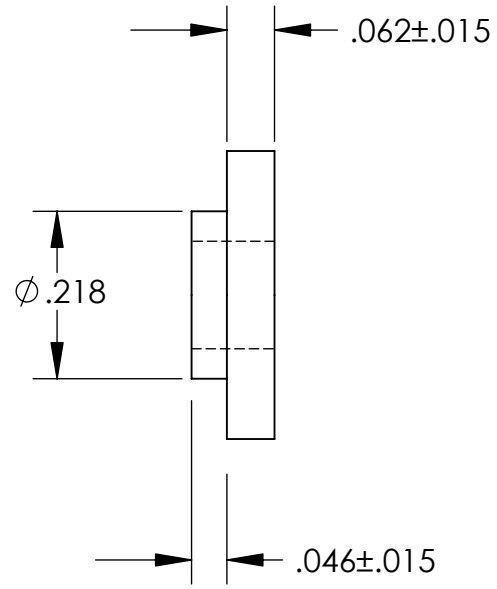
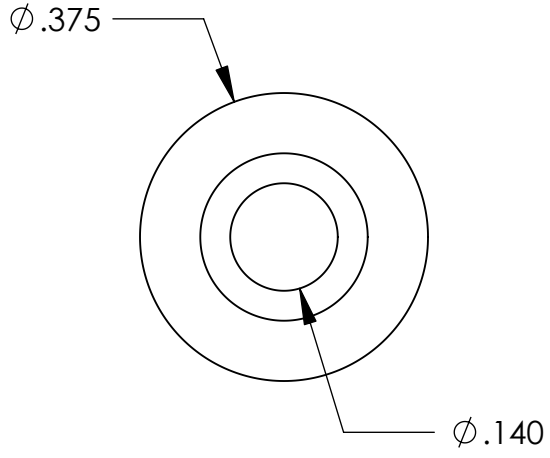


UNCONTROLLED DOCUMENT



TOLERANCES UNLESS NOTED

- $\pm .005$  ON DIMENSIONS THRU  $.625$
- $\pm .008$  ON DIMENSIONS  $.626$  THRU  $1.000$
- $\pm .010$  ON DIMENSIONS  $1.001$  THRU  $1.500$
- $\pm .015$  ON DIMENSIONS LARGER THAN  $1.500$
- $\pm .015$  ON FRACTIONAL DIMENSIONS

WE RESERVE THE RIGHT  
TO DISCONTINUE ITEMS,  
CHANGE SPECIFICATIONS  
OR DESIGN AT ANY TIME  
WITHOUT NOTICE AND  
WITHOUT INCURRING  
ANY OBLIGATIONS

|  |       |           |
|--|-------|-----------|
| PROPERTY OF  |       |           |
| <b>MICRO PLASTICS INC.</b>   |       |           |
| CATALOG DRAWING<br>SHOULDER WASHER<br>MICRO P/N 12SWS0817<br>DWG. # 12SWS0817<br>FILE SERVER\ENG\WEB |       |           |
| MATERIAL:  |       | 6/6 NYLON |
| DATE   | SCALE | <b>TA</b> |
|  | 4:1   |           |