

THIS DRAWING IS UNPUBLISHED. RELEASED FOR PUBLICATION JAN ,2006.

© COPYRIGHT 2006 By - ALL RIGHTS RESERVED.

LOC	DIST	REVISIONS					
E	B	P	LTR	DESCRIPTION	DATE	DWN	APVD
		E		ECR-15-001402	30JAN2015	RZ	MC

NOTES:

1 SINGLE PACKING: ONE CONNECTOR PER LABELED BAG PACKAGED. LABELED PER TEC-107-115

2 TRAY PACKAGED

3 Au PLATING

4 Ni PLATING

5 THIS ITEM MUST BE WHITE

6 ELECTRICAL CHARACTERISTICS

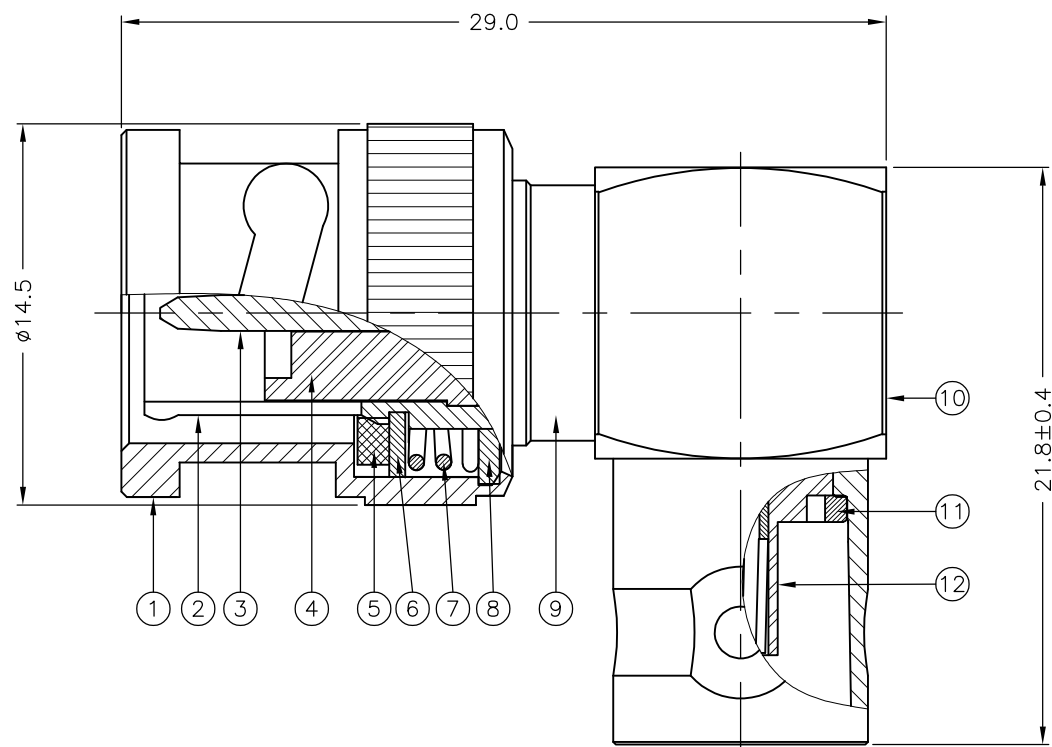
FREQUENCY RANGE: DC - 1 GHz  
 NOMINAL IMPEDANCE: 75 Ohm  
 INSULATION RESISTANCE: 5000 MOhm  
 WORKING VOLTAGE: 500 Volts RMS at Sea Level  
 DIELECTRIC WITHSTAND VOLTAGE: 1500 Volts RMS Max  
 CONTACT RESISTANCE:  
 CENTER CONTACT: 1.50 mOhm Max  
 OUTER CONTACT: 1.00 mOhm Max  
 VSWR @ 1GHz: 1.3 Max  
 INSERTION LOSS xdb: 0.3dB Max @1GHz

7 MECHANICAL CHARACTERISTICS

COUPLING RETENTION FORCE: 40lbs Min  
 DURABILITY: 500 Cycles Min

8 ENVIRONMENTAL CHARACTERISTICS

OPERATING TEMPERATURE: -65 to +165 DegC



QTY	QTY PER ASSY	DESCRIPTION	ITEM
1	1	PTFE INSULATION	12
1	1	BRASS RING	11
1	1	BRASS BODY 3	10
1	1	BRASS BODY 2	9
1	1	SK5 WASHER	8
1	1	SPRING STEEL SPRING	7
1	1	SK5 RETAINING RING	6
1	1	SILICONE RUBBER GASKET	5
1	1	PTFE INSULATION	4
1	1	PHOSPHOR BRONZE CONTACT	3
1	1	BRASS BODY 1	2
1	1	BRASS SHELL	1
6--0	1--0	MATERIAL	DESCRIPTION
△	△		

QUANTITY PER ASSY PARTS LIST

THIS DRAWING IS A CONTROLLED DOCUMENT.		DWN J.SANDWELL 25JAN06	<b>TE Connectivity</b> NAME: BNC ELBOW ADAPTOR P-J 75 OHM				
DIMENSIONS: mm		CHK S.PARLOW 25JAN06					
TOLERANCES UNLESS OTHERWISE SPECIFIED:		APVD F.WHEELER-KING 25JAN06					
0 PLC ± - 1 PLC ± 0.5 2 PLC ± - 3 PLC ± - 4 PLC ± - ANGLES ± -		PRODUCT SPEC -					
MATERIAL SEE TABLE		FINISH -	APPLICATION SPEC -	SIZE A3	CAGE CODE 00779	DRAWING NO C-1337526	RESTRICTED TO -
CUSTOMER DRAWING			WEIGHT -	SCALE NTS	SHEET 1 OF 1	REV E	