
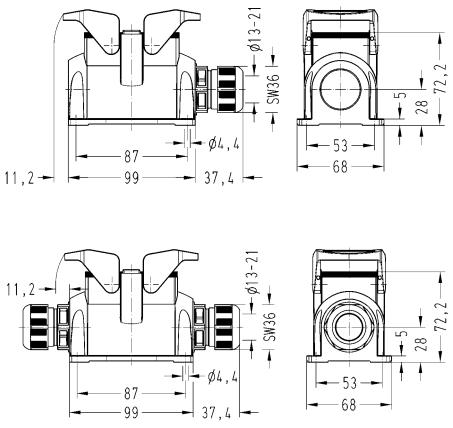

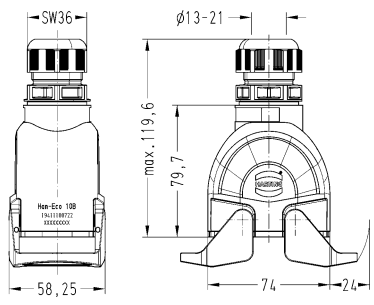




Identification	Cable entry	Clamping range (mm)	Part number	Drawing (dimensions in mm)
<p>Han-Eco® Modular, Surface mounted housing, With integrated cable gland, Side entry</p> 	<p>1x M32 2x M32</p>	<p>13 ... 21 13 ... 21</p>	<p>19 41 310 0232 19 41 310 0272</p>	
<p>Han-Eco® Modular, Cable to cable housing, With integrated cable gland, Top entry</p> 	<p>1x M32</p>	<p>13 ... 21</p>	<p>19 41 310 0722</p>	
<p>Han-Eco® Modular, Protection cover, for hoods</p>  <p>Han-Eco® Modular, Protection cover, for hoods, With fixing cord</p> 			<p>19 41 210 5406</p> <p>19 41 210 5407</p>	