

MATERIALS AND FINISHES:

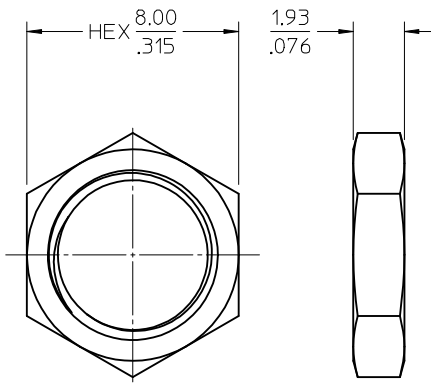
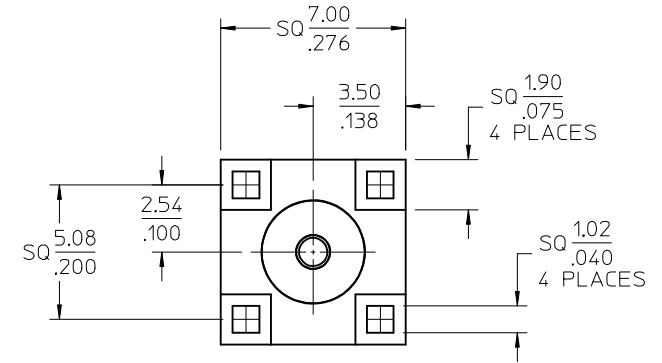
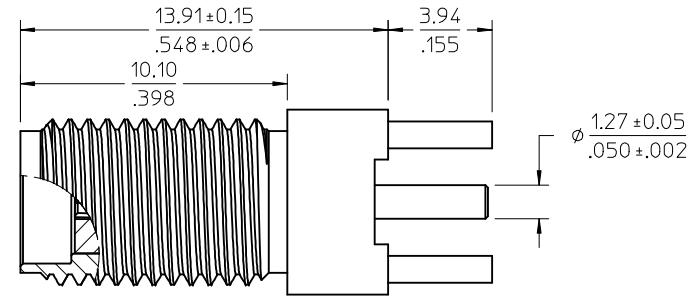
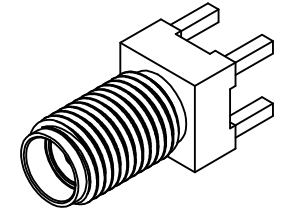
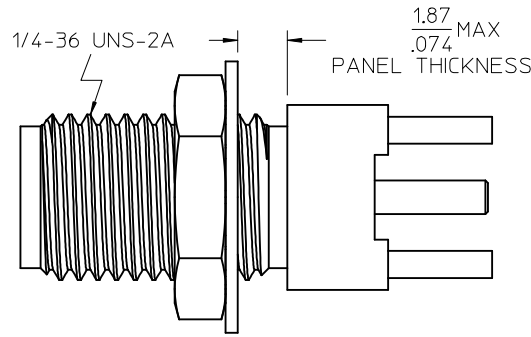
BODY: BRASS  
PLATED NICKEL

CENTER CONTACT: BERYLLIUM COPPER  
PLATED GOLD

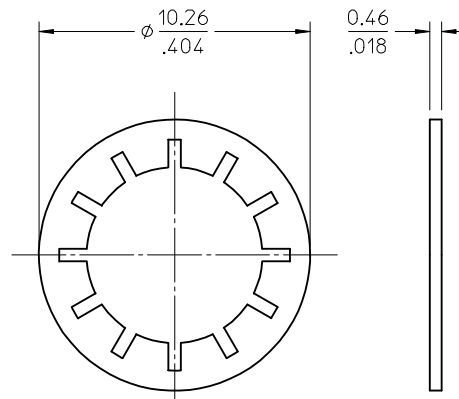
INSULATOR: TEFLON

JAM NUT: BRASS  
PLATED GOLD

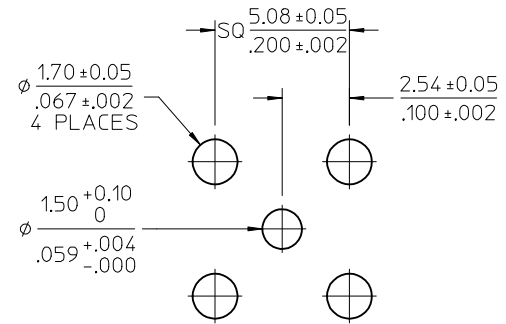
LOCK WASHER: PHOSPHOR BRONZE  
PLATED GOLD



JAM NUT



LOCKWASHER



RECOMMENDED MOUNTING HOLE

73251-6761	WITH JAM NUT & LOCK WASHER / TRAY PACKING
73251-6760	WITHOUT JAM NUT & LOCK WASHER / TRAY PACKING
PART NO.	DESCRIPTION

PS-89675-3460	ELEC/MECH PERFORMANCE
MIL-STD-348A, FIG. 310.2	INTERFACE
SPECIFICATION	DESCRIPTION

CHG:NEW RELEASE PER PDR15082035	EC NO: URF2016-0131	DRW:RYEH 2015/08/05	CHKD: YCHENG 2015/08/21	APPR: YCHENG 2015/08/21	DESCRIPTION
REV	A				

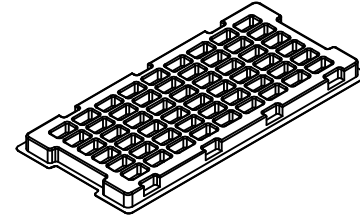
QUALITY SYMBOLS	▽=0	▽=0	▽=0
GENERAL TOLERANCES (UNLESS SPECIFIED)	mm	INCH	
4 PLACES	± .005	± .0002	
3 PLACES	± .005	± .0002	
2 PLACES	± .005	± .0002	
1 PLACE	± .005	± .0002	
0 PLACE	± .005	± .0002	
ANGULAR ± 2 °			
DRAFT WHERE APPLICABLE MUST REMAIN WITHIN DIMENSIONS			

DIMENSION STYLE	MM/IN
DRAWN BY	RYEH
DATE	2015/08/05
CHECKED BY	KERRIE
DATE	2015/08/05
APPROVED BY	YCHENG
DATE	2015/08/21
MATERIAL NO.	SEE TABLE
SIZE	C

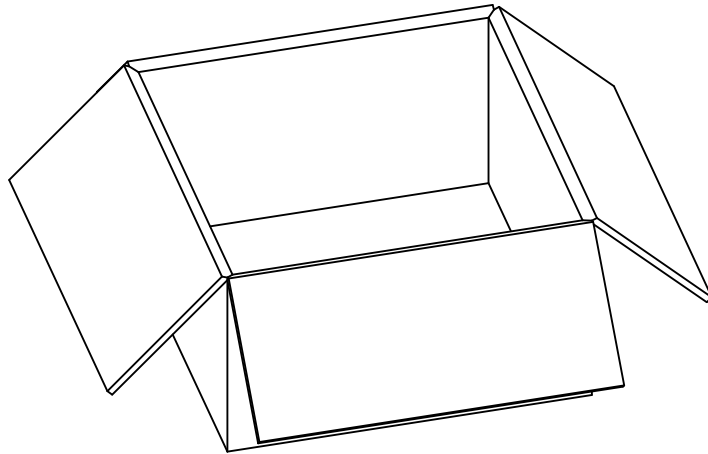
SCALE	4:1
DESIGN UNITS	METRIC
THIRD ANGLE PROJECTION	
TITLE	SMA JACK STR BKHD RM PCB TH SMA-J/PCB
DOCUMENT NO.	SD-73251-676
SHEET NO.	1 OF 2
THIS DRAWING CONTAINS INFORMATION THAT IS PROPRIETARY TO MOLEX INCORPORATED AND SHOULD NOT BE USED WITHOUT WRITTEN PERMISSION	



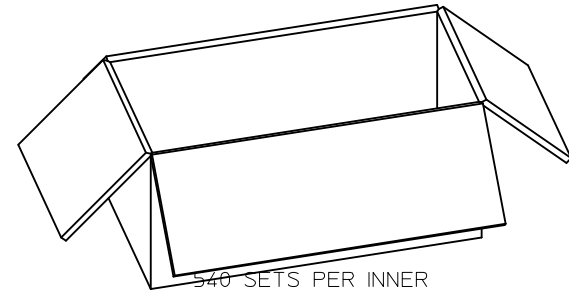
P/N: 73251-6760  
 OR  
 P/N: 73251-6761



54 SETS PER TRAY  
 P/N: 89707-0220



1080 SETS PER OUTER  
 CARTON BOX  
 P/N: 96708-0005



540 SETS PER INNER  
 CARTON BOX  
 P/N: 96707-0001

CHG:SEE SHEET 1  
 EC NO: URF2016-0131 2015/08/05  
 DRW:RYEH  
 CHKD:  
 APPR:YCHENG 2015/08/21

REV	DESCRIPTION	QUALITY SYMBOLS
A		= 0
		= 0
		= 0

GENERAL TOLERANCES (UNLESS SPECIFIED)

	mm	INCH
4 PLACES	± .005	± .0002
3 PLACES	± .005	± .0002
2 PLACES	± .005	± .0002
1 PLACE	± .005	± .0002
0 PLACE	± .005	± .0002

ANGULAR ± 2 °

DRAFT WHERE APPLICABLE MUST REMAIN WITHIN DIMENSIONS

DIMENSION STYLE		SCALE		DESIGN UNITS	
MM/IN		1:1		METRIC	
DRAWN BY	DATE	TITLE			
RYEH	2015/08/05	SMA JACK STR BKHD RM			
CHECKED BY	DATE	PCB TH			
KERRIE	2015/08/05	SMA-J/PCB			
APPROVED BY	DATE	<b>molex</b>			
YCHENG	2015/08/21				
MATERIAL NO.	DOCUMENT NO.	SHEET NO.			
SEE TABLE	SD-73251-676	2 OF 2			
THIS DRAWING CONTAINS INFORMATION THAT IS PROPRIETARY TO MOLEX INCORPORATED AND SHOULD NOT BE USED WITHOUT WRITTEN PERMISSION					

THIRD ANGLE PROJECTION