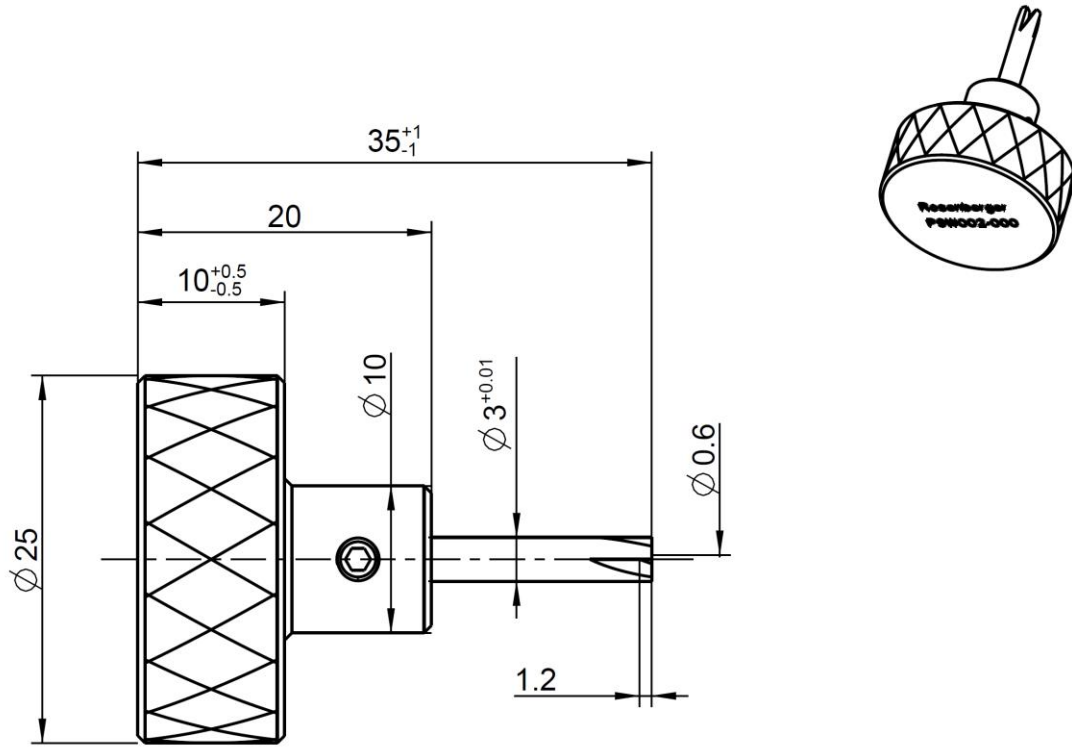


RPC-1.35 Cutting bit

P9W002-000



All dimensions are in mm; tolerances according to ISO 2768 m-H

Material and plating

Connector parts

Miller
Retainer

Material

Stainless steel
Stainless steel

Plating

N/A
N/A

Packing

Standard
Weight

1 pce in box
47 g/pce

Draft	Date	Approved	Date	Rev.	Engineering change number	Name	Date
Herbert Babinger	16/01/17	S.Andorfer	20/12/18	a01	18-0008	S. Schmid	20/12/18

Rosenberger Hochfrequenztechnik GmbH & Co. KG
P.O.Box 1260 D-84526 Tittmoning Germany
www.rosenberger.de

Tel. : +49 8684 18-0
Email : info@rosenberger.de

Page
1 / 1