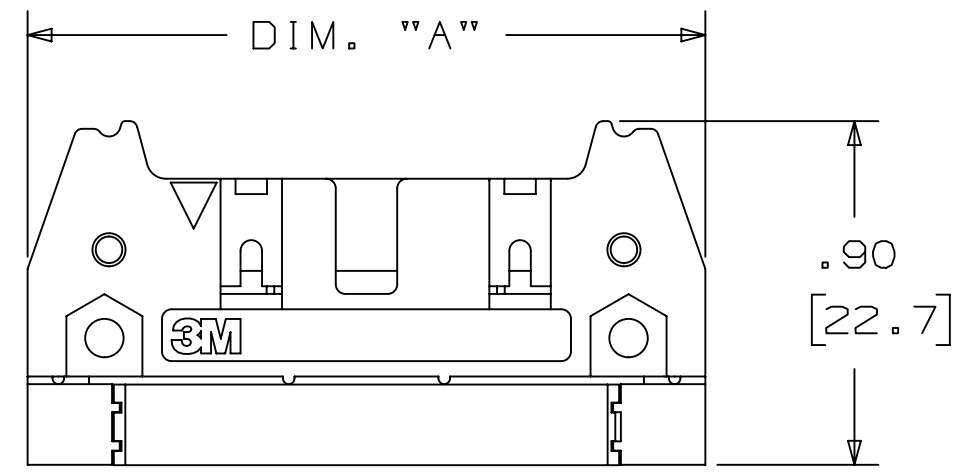
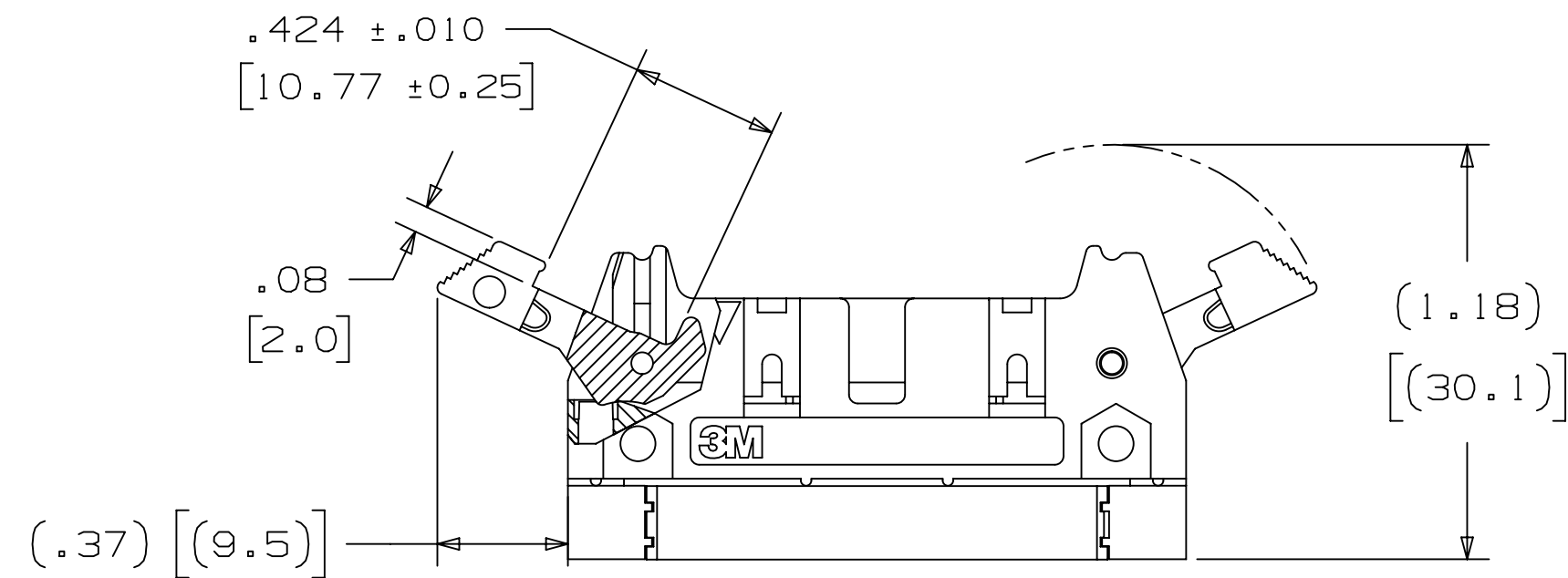


3M™ FOUR-WALL CONDO HEADER, 3000 SERIES

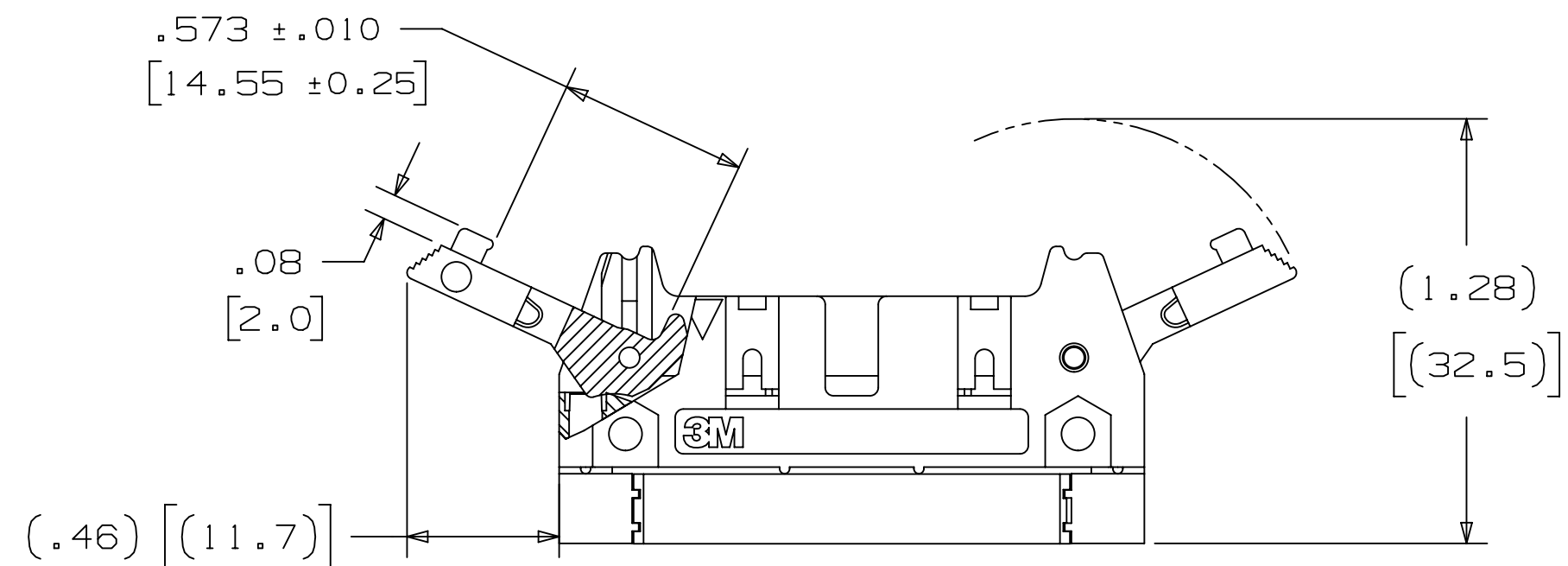
.100" X .100" LATCH/EJECTOR, RIGHT ANGLE



-L00X
HEADER WITHOUT LATCH/EJECTOR



-L20X
HEADER WITH SHORT LATCH/EJECTOR
FOR 3M SOCKETS WITHOUT STRAIN RELIEF



-L30X
HEADER WITH LONG LATCH/EJECTOR
FOR 3M SOCKETS WITH STRAIN RELIEF

- * STACKED PINS CONSERVE SPACE ON THE CIRCUIT BOARD ALLOWING HIGHER DENSITY PACKAGING.
- * PIN QUANTITY TO 128 GIVES DESIGN FLEXIBILITY WITH LATCHING.
- * "HDI" ALTERNATIVE.
- * ACCEPTS STANDARD IDC SOCKETS.
- * MATES WITH STANDARD FLAT CABLE HARNESSSES.
- * HIGH TEMPERATURE INSULATOR SUITABLE FOR "NO LEAD" SOLDERING OPERATIONS.
- * SUITABLE FOR REFLOW SOLDERING USING "PASTE IN HOLE" TECHNIQUES.

- NOTES
- REGULATORY INFORMATION: VISIT 3M.com/regs
 - IN THE EVENT OF CONFLICT BETWEEN THIS DATA AND THAT CONTAINED IN THE PRODUCT SPECIFICATION, THE PRODUCT SPECIFICATION TAKES PRECEDENT.
 - NOTCHES A & C WILL ACCOMMODATE 3M POLARIZING KEY: N3518.
 - MOUNTING HARDWARE: FROM SOLDER SIDE OF PC BOARD USE #4-24 THREAD CUTTING SCREW (3M PART #3341-5) AND Ø.116 [2.95] MOUNTING HOLE.

2 PHYSICAL :

INSULATOR: HIGH TEMP GLASS FILLED POLYESTER (PCT)
 MATERIAL: UL94V-0
 FLAMMABILITY: BLACK
 COLOR: BLACK
 CONTACT: COPPER ALLOY
 MATERIAL: 50µ" - 150µ" [1.27µm - 3.81µm] NICKEL-OVERALL
 PLATING: 30µ" [0.76µm] AVG. GOLD
 UNDER PLATING: 200µ" [5.08µm] MIN MATTE TIN
 WIPING AREA: 3M LOGO, PART IDENTIFICATION NUMBER AND ORIENTATION TRIANGLE

2 ELECTRICAL :

CURRENT RATING: 1A (EIA 364-70)
 INSULATION RESISTANCE: >1 X 10⁹Ω AT 500 V_{DC}
 WITHSTANDING VOLTAGE: 1,000V_{RMS} AT SEA LEVEL

2 ENVIRONMENTAL :

TEMPERATURE RATING: -55°C TO 105°C
 PROCESS RATING: 260°C, PER J-STD-020C, SINGLE PASS
 MOISTURE SENSITIVITY LEVEL: 1 (PER J-STD-020C, SINGLE PASS)

ORDERING INFORMATION

N3XXX-LXXXRB

3M PART NUMBER: (SEE TABLE 1) PLATING:

LATCH/EJECTOR SYSTEM:
 0 = NO LATCH/EJECTOR INSTALLED
 2 = SHORT ROLL PIN LATCH/EJECTORS
 3 = LONG ROLL PIN LATCH/EJECTORS

TAIL:
 02 = FOR .062 [1.57] THICK BOARD
 03 = FOR .094 TO .125 [2.39 TO 3.18] THICK BOARD

DIMENSIONS: INCHES [MM]
 [MM] IS REF. ONLY

3M ELECTRONICS MATERIALS SOLUTIONS DIVISION
 INTERCONNECT SOLUTIONS
<http://www.3M.com/interconnect>

3M IS A TRADEMARK OF 3M COMPANY.
 FOR TECHNICAL, SALES OR ORDERING
 INFORMATION CALL 800-225-5373

CAUS
 UL FILE NO: E68080

DESIGN REFERENCE	NEXT ASSEMBLY	REV	ECO	ISSUE DATE AND DESCRIPTION	DRFT	CHKD
		M	97909	JUN 22, 2021 REVISED DIM'S AND NOTES	JNC	SAN
		L	93619	JAN 05, 2021 REMOVE TIN LEAD PLATING	JNC	SAN
		K	60056	MAR 06, 2015 REVISE ORDERING NUMBER	JNC	RS
		J	56068	AUG 05, 2014 REVISED AND REDRAWN	JNC	RS
		REV	ECO	ISSUE DATE AND DESCRIPTION	DRFT	CHKD
		DRFT	CASTIGLIONE	DATE AUG 05, 2014	MFG	DATE
		CHKD		DATE	APPV	DATE
					R. SCHERER	SEP 05, 2014

DIVISION	Interconnect Solutions	DIVISION CODE	EMSD
DO NOT SCALE DRAWING	SCALE 2/1	TOLERANCES EXCEPT AS NOTED	
THIRD ANGLE PROJECTION		INCHES .0 ± .1 .00 ± .01 .000 ± .005 .0000 ± .0002	
INTERPRET PER ASME Y14.5 - 2018		MILLIMETERS 0 ± 2 .0 ± .3 .00 ± .13 .000 ± .005	
MAX SURFACE ROUGHNESS		ALL SURFACES	
<input checked="" type="checkbox"/> MARKED ONLY		ANGLES	

TITLE	CAGE NUMBER	SIZE	DRAWING NO.	REV.
FOUR-WALL CONDO HEADER, .100 X .100 LATCH/EJECT, RA	D	78-5100-0774-9	M	
	MODEL	3400	DET	LISTS <input type="checkbox"/> YES <input checked="" type="checkbox"/> NO SHT 1 OF 4

78-5100-0774-9
DRAWING NUMBER

3M™ FOUR-WALL CONDO HEADER, 3000 SERIES
 .100" X .100" LATCH/EJECTOR, RIGHT ANGLE

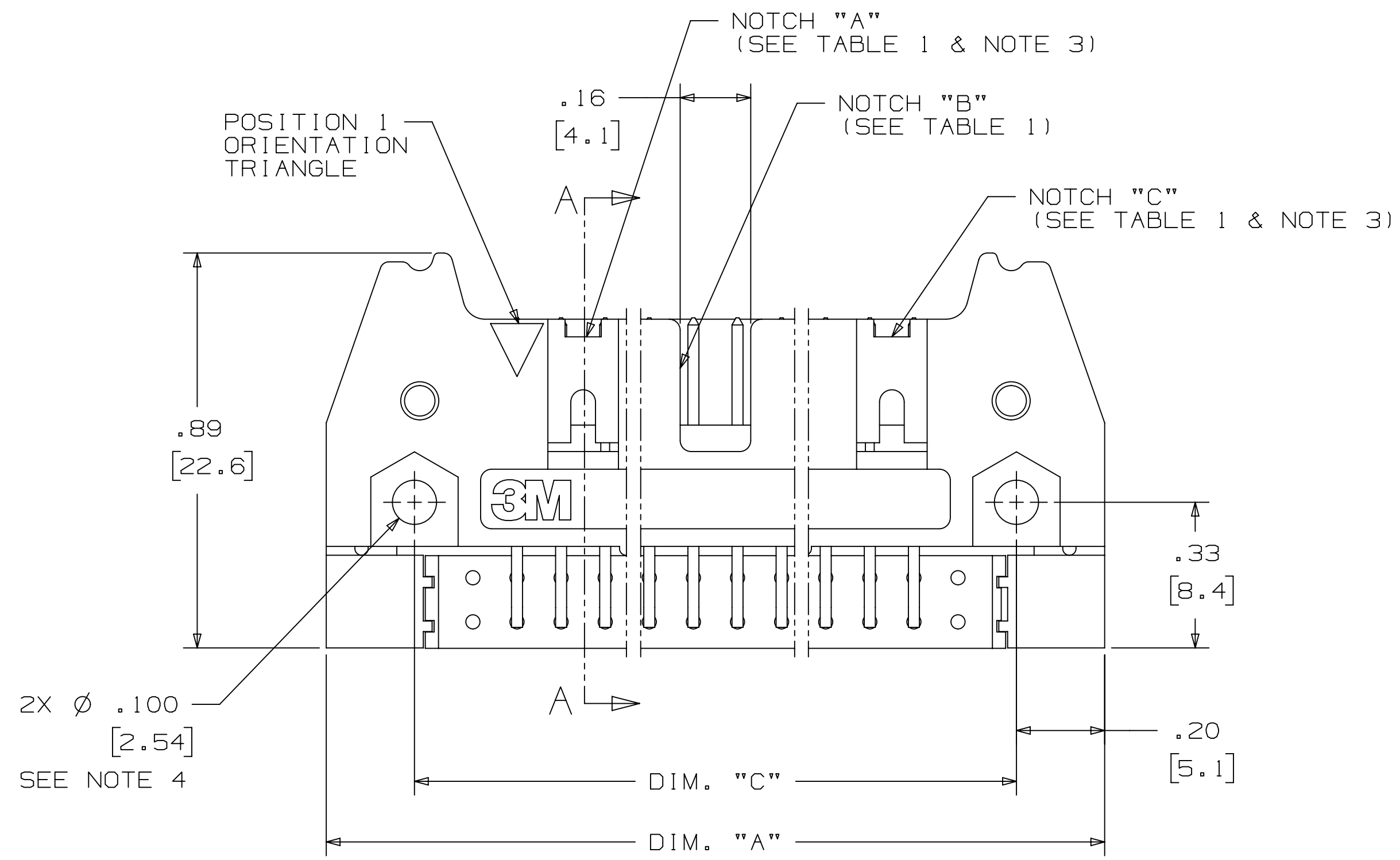
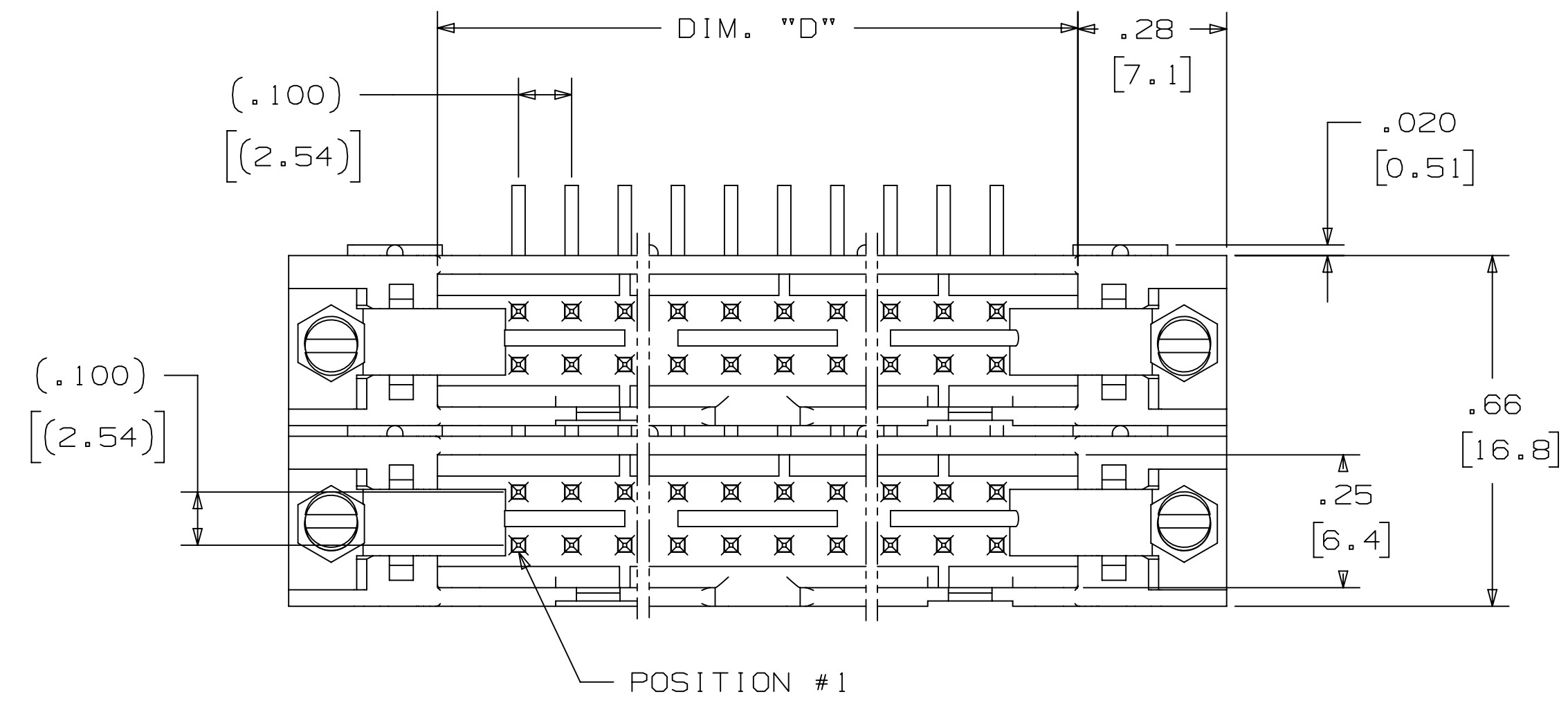
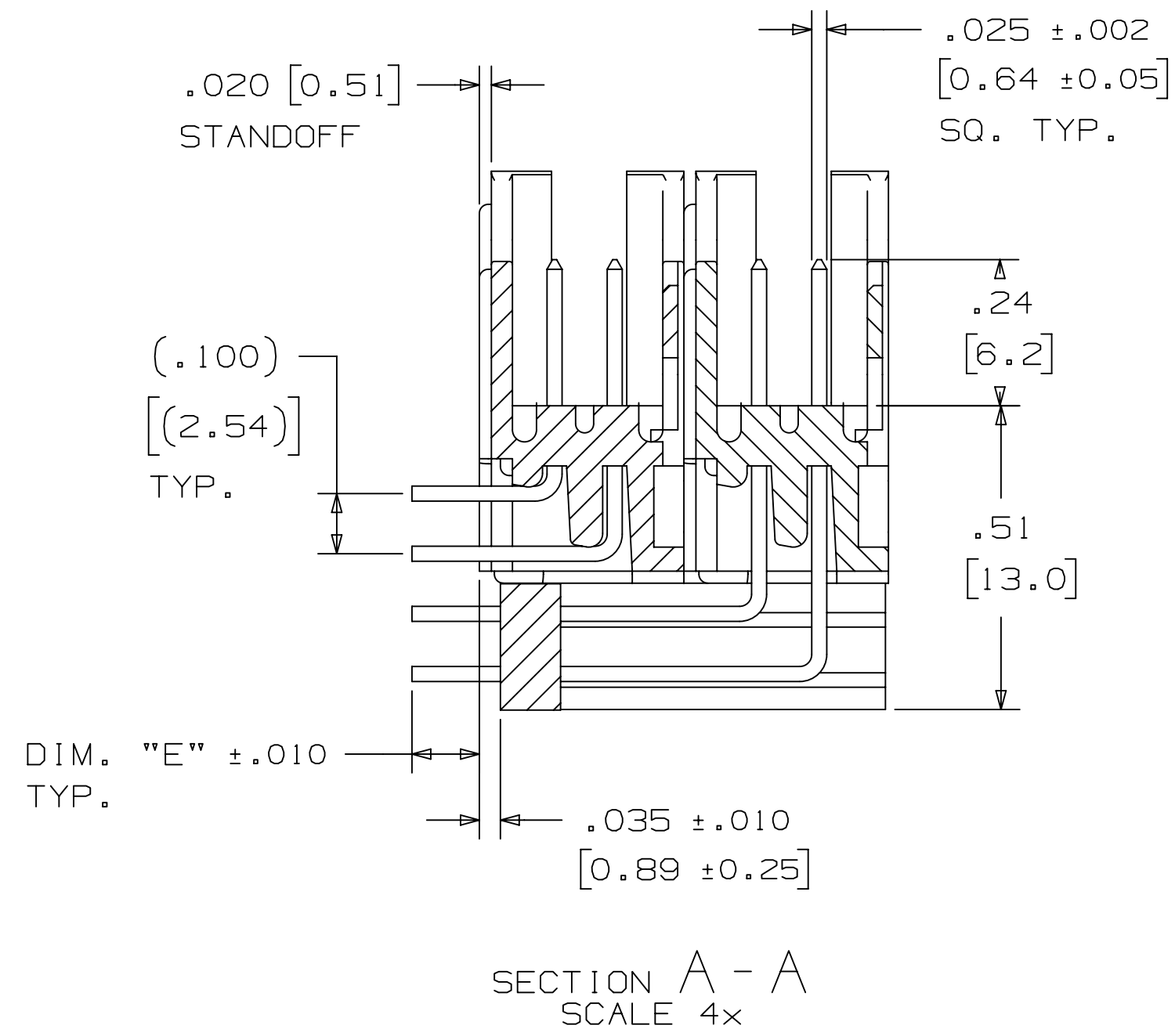


TABLE 1						
PIN QTY.	3M PART NUMBER	DIM. "A"	DIM. "C"	DIM. "D"	POLARIZING NOTCHES	PIN QTY.
20	3793	1.26 [32.1]	.865 [21.97]	.71 [18.0]	BC	20
28	3314	1.46 [37.2]	1.065 [27.05]	.91 [23.1]	BC	28
32	3408	1.56 [39.7]	1.165 [29.59]	1.01 [25.6]	ABC	32
40	3428	1.76 [44.8]	1.365 [34.67]	1.21 [30.7]	ABC	40
48	3627	1.96 [49.9]	1.565 [39.75]	1.41 [35.8]	ABC	48
52	3429	2.06 [52.4]	1.665 [42.29]	1.51 [38.3]	ABC	52
60	3440	2.26 [57.5]	1.865 [47.37]	1.71 [43.4]	ABC	60
68	3431	2.46 [62.6]	2.065 [52.45]	1.91 [48.5]	ABC	68
80	3432	2.76 [70.2]	2.365 [60.07]	2.21 [56.1]	ABC	80
100	3433	3.26 [82.9]	2.865 [72.77]	2.71 [68.8]	ABC	100
120	3372	3.76 [95.6]	3.365 [85.47]	3.21 [81.5]	ABC	120
128	3764	3.96 [100.7]	3.565 [90.55]	3.41 [86.6]	ABC	128

TABLE 2		
3M PART NUMBER SUFFIX	CONTACT TAIL	DIM. "E"
-XX02	02	.112 [2.84]
-XX03	03	.155 [3.94]

NOTE:
 .112 [2.84] TAIL LENGTH SUITABLE FOR
 .062 [1.57] THICK PC BOARD.

REV	ECO	ISSUE DATE AND DESCRIPTION	DRFT	CHKD
M	97909	JUN 22, 2021 REVISED DIM'S AND NOTES	JNC	SAN
L	93619	JAN 05, 2021 REMOVE TIN LEAD PLATING	JNC	SAN
K	60056	MAR 06, 2015 REVISE ORDERING NUMBER	JNC	RS
J	56068	AUG 05, 2014 REVISED AND REDRAWN	JNC	RS

DESIGN REFERENCE	NEXT ASSEMBLY	DRFT	DATE	MFG	DATE
		CASTIGLIONE	AUG 05, 2014		
DIVISION: Interconnect Solutions		DIVISION CODE: EMSD			
DO NOT SCALE DRAWING	SCALE: 4/1	TOLERANCES EXCEPT AS NOTED			
THIRD ANGLE PROJECTION		INCHES: .0 ± .1, .00 ± .01, .000 ± .005, .0000 ± .0002			
INTERPRET PER ASME Y14.5 - 2018		MILLIMETERS: 0 ± 2, .0 ± .3, .00 ± .13, .000 ± .005			
MAX. SURFACE ROUGHNESS: 12.5 SURFACES		CAGE NUMBER: D78-5100-0774-9			
MARKED ONLY		DRAWING NO. 78-5100-0774-9			
		MODEL: 3400			

© 3M COPYRIGHT 2021. This document and the information it contains are 3M property and may not be reproduced or further distributed without 3M permission, or used or disclosed other than for 3M authorized purposes. All rights reserved.

3M Center, St. Paul, MN 55144

TITLE: FOUR-WALL CONDO HEADER, .100 X .100 LATCH/EJECT, RA

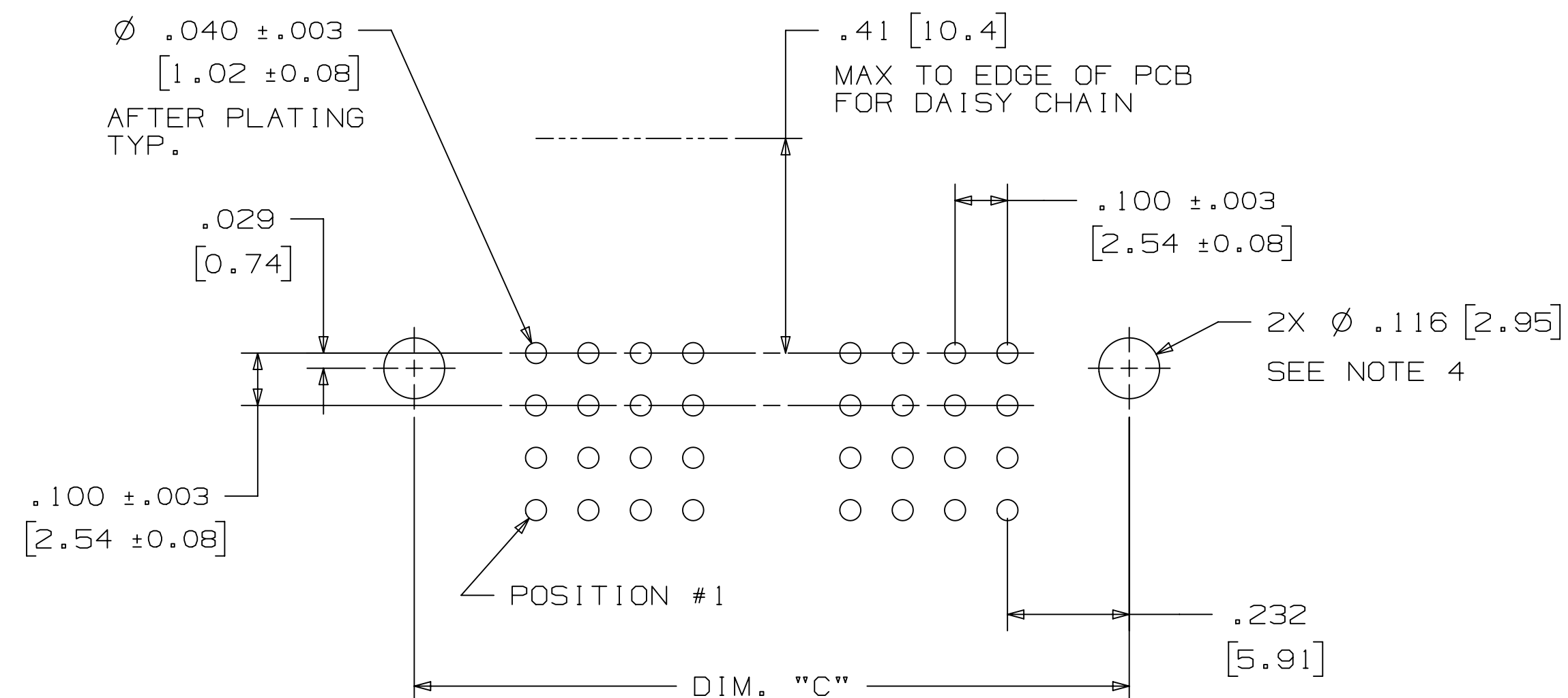
REV. M

DET: [] YES [X] NO SHT 2 OF 4

78-5100-0774-9 M Revision

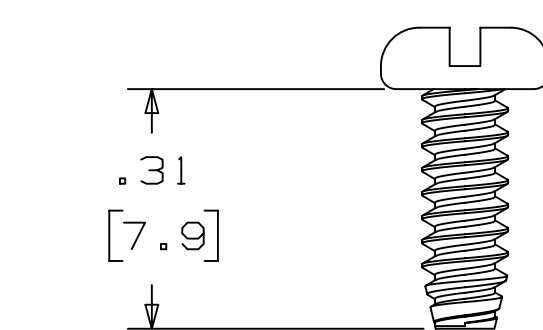
3M™ FOUR-WALL CONDO HEADER, 3000 SERIES

.100" X .100" LATCH/EJECTOR, RIGHT ANGLE



RECOMMENDED MOUNTING HOLE PATTERN

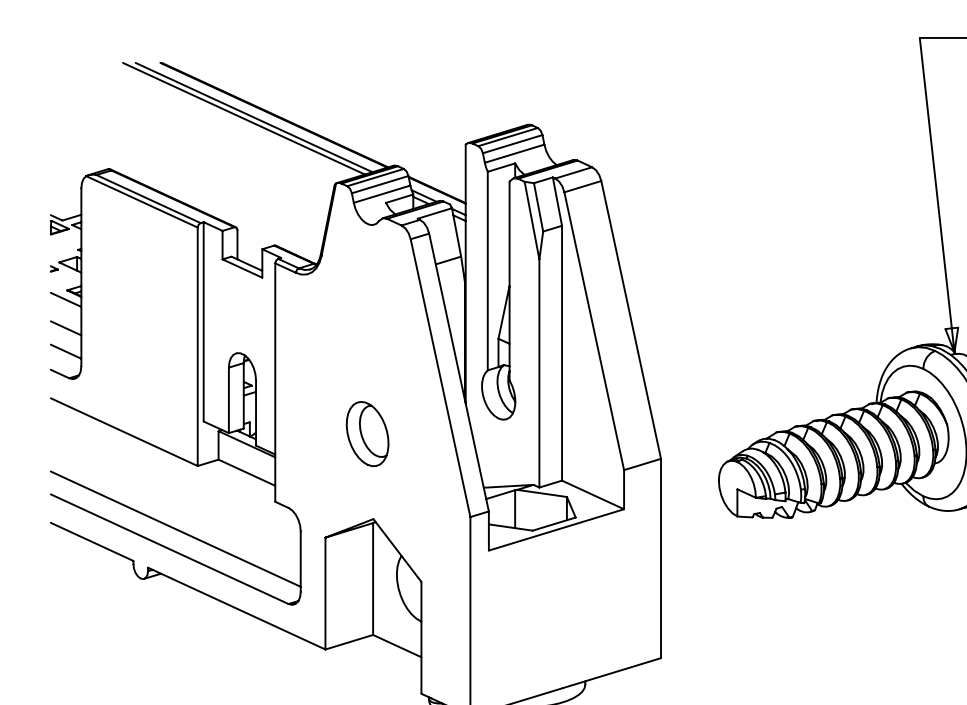
MOUNTING HARDWARE



3341-5

(INSTALL FROM BOTTOM OF BOARD)
SEE NOTE 4

PANHEAD THREAD CUTTING SCREW:
#4-24 X 5/16"
TYPE: USA STD BT, FEDERAL B6
MATERIAL: STAINLESS STEEL



#4-24 TYPE BT SELF THREADING SCREW WHEN USING LATCHES, MAXIMUM LENGTH OF SCREW IS .250 INCHES PLUS THICKNESS OF THE BOARD.

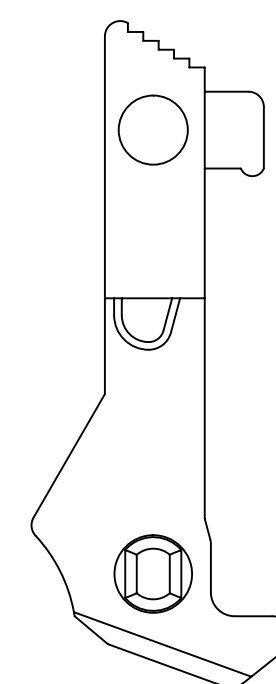
PART CUSTOMIZATION

THIS SPEC SHEET DETAILS OUR STANDARD OFFERING.

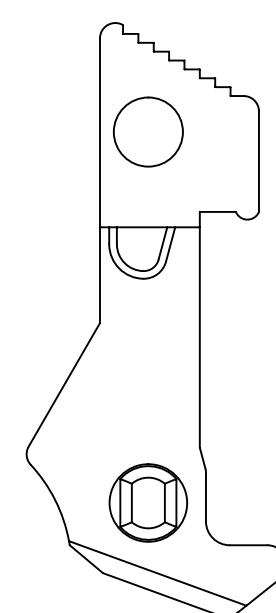
3M HAS SEVERAL CAPABILITIES THAT CAN PROVIDE A PART TAILORED TO YOUR SPECIFIC NEEDS. ASK YOUR 3M SALES REPRESENTATIVE OR CUSTOMER SERVICE FOR MORE DETAILS.

BOTH SNAP-IN AND ROLL PIN LATCHES MAY BE ORDERED SEPARATELY. SNAP-IN AND ROLL PIN STYLE LATCHES ARE DIMENSIONALLY AND FUNCTIONALLY EQUIVALENT. IF ORDERING SNAP-IN OR ROLL PIN STYLE LATCHES SEPARATELY, PLEASE USE THE BELOW CHART.

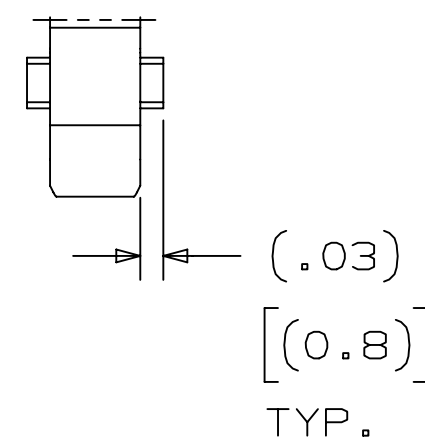
MATERIAL	SHORT LATCH	LONG LATCH	LATCH STYLE	COLOR
HIGH TEMP. (PCT)	N3505-2B	N3505-3B	ROLL PIN	BLACK
HIGH TEMP (PPA)	N3505-30B	N3505-31B	SNAP-IN	BLACK



LONG



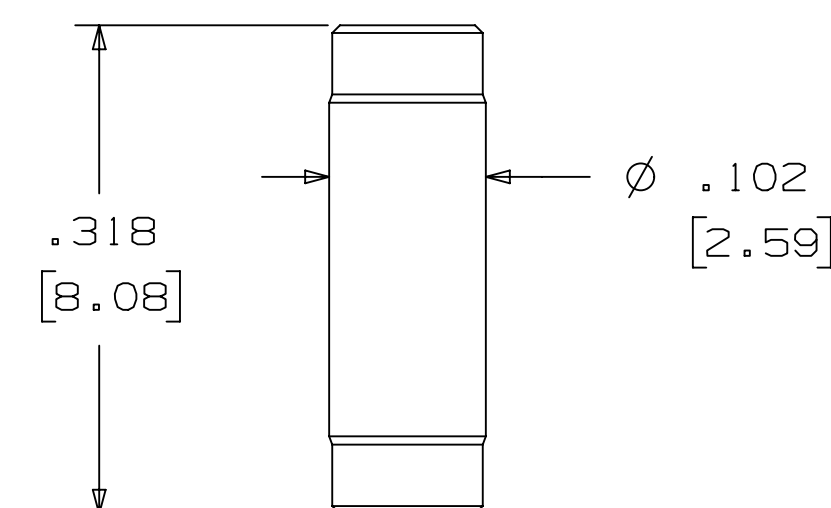
SHORT



SNAP-IN LATCHES

NOTE:
SNAP-IN LATCHES CAN ONLY BE ORDERED SEPARATELY AND ARE THE CUSTOMERS RESPONSIBILITY TO INSTALL.

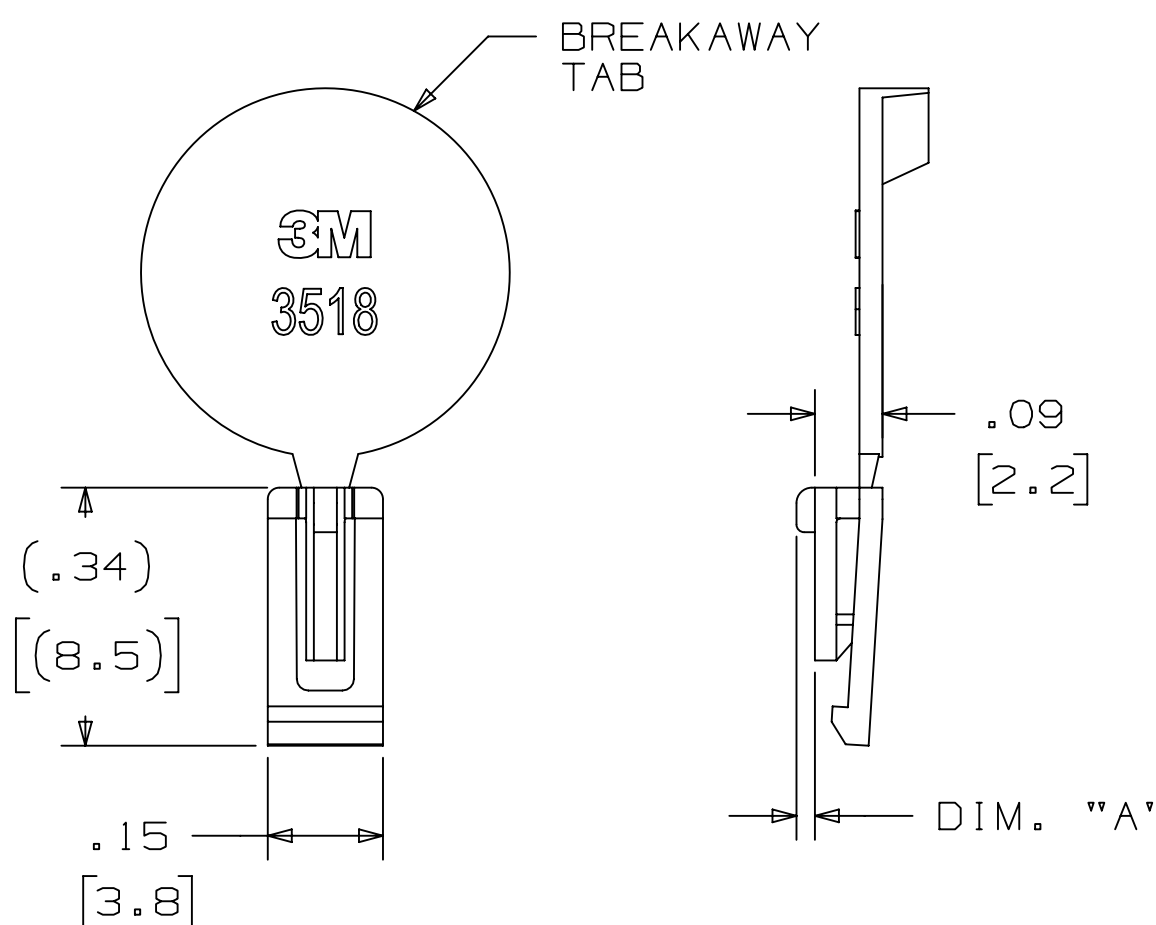
POLARIZING POST



3M PART NO.	MATERIAL	COLOR
3201-4	LCP	BLACK

NOTE:
INSERT POST INTO ONE MOUNTING HARDWARE HOLE ON BOTTOM OF HEADER. SET POST TO PROTRUDE .115 [2.92]

POLARIZING KEY



3M PART NO.	MATERIAL	COLOR	DIM. "A"
N3518	LCP	BLACK	.02

NOTE:
#2216 B/A SCOTCHWELD CAN BE USED TO ADHERE KEYS.

REV	ECO	ISSUE DATE AND DESCRIPTION	DRFT	CHKD
M	97909	JUN 22, 2021 REVISED DIM'S AND NOTES	JNC	SAN
L	93619	JAN 05, 2021 REMOVE TIN LEAD PLATING	JNC	SAN
K	60056	MAR 06, 2015 REVISE ORDERING NUMBER	JNC	RS
J	56068	AUG 05, 2014 REVISED AND REDRAWN	JNC	RS
REV	ECO	ISSUE DATE AND DESCRIPTION	DRFT	CHKD
DRFT	CASTIGLIONE	DATE 05, 2014	MFG	DATE
CHKD		DATE	APPV	DATE
			R. SCHERER	SEP 05, 2014

DESIGN REFERENCE	NEXT ASSEMBLY	DIVISION CODE	EMSD
		Interconnect Solutions	EMSD
DO NOT SCALE DRAWING	SCALE 4/1	TOLERANCES EXCEPT AS NOTED	
THIRD ANGLE PROJECTION		INCHES .0 ± .1, .00 ± .01, .000 ± .005, .0000 ± .0002	
INTERPRET PER ASME Y14.5 - 2018		MILLIMETERS 0 ± 2, .0 ± .3, .00 ± .13, .000 ± .005	
MAX SURFACE ROUGHNESS		ALL SURFACES	
MARKED ONLY		ANGLES	
TITLE		© 3M COPYRIGHT 2021. This document and the information it contains are 3M property and may not be reproduced or further distributed without 3M permission, or used or disclosed other than for 3M authorized purposes. All rights reserved.	
CAGE NUMBER		DRAWING NO.	
D78-5100-0774-9		M	
MODEL		3400	
DET		IS1s YES NO SHT 3 OF 4	

3M™ FOUR-WALL CONDO HEADER, 3000 SERIES

.100" X .100" LATCH/EJECTOR, RIGHT ANGLE

Regulatory: For regulatory information about this product, visit 3M.com/regs or contact your 3M representative.

Technical Information: The technical information, recommendations and other statements contained in this document are based upon tests or experience that 3M believes are reliable, but the accuracy or completeness of such information is not guaranteed.

Product Use: Many factors beyond 3M's control and uniquely within user's control can affect the use and performance of a 3M product in a particular application. Given the variety of factors that can affect the use and performance of a 3M product, user is solely responsible for evaluating the 3M product and determining whether it is fit for a particular purpose and suitable for user's method of application.

Warranty, Limited Remedy, and Disclaimer: Unless an additional warranty is specifically stated on the applicable 3M product packaging or product literature, 3M warrants that each 3M product meets the applicable 3M product specification at the time 3M ships the product. 3M MAKES NO OTHER WARRANTIES OR CONDITIONS, EXPRESS OR IMPLIED, INCLUDING, BUT NOT LIMITED TO, ANY IMPLIED WARRANTY OR CONDITION OF MERCHANTABILITY OR FITNESS FOR A PARTICULAR PURPOSE OR ANY IMPLIED WARRANTY OR CONDITION ARISING OUT OF A COURSE OF DEALING, CUSTOM OR USAGE OR TRADE. If the 3M product does not conform to this warranty, then the sole and exclusive remedy is, at 3M's option, replacement of the 3M product or refund of the purchase price.

Limitation of Liability: Except where prohibited by law, 3M will not be liable for any loss or damage arising from the 3M product, whether direct, indirect, special, incidental or consequential, regardless of the legal theory asserted, including warranty, contract, negligence or strict liability.

3M Company
 Electronics Materials Solutions Division
 13011 McCallen Pass, Bldg. C
 Austin, TX 78753-5380
 1-800-225-5373
www.3M.com/interconnect

DESIGN REFERENCE	NEXT ASSEMBLY	REV	ECO	ISSUE DATE AND DESCRIPTION	DRFT	CHKD
		DRFT	CASTIGLIONE	DATE	AUG 05, 2014	MFG
		CHKD		DATE		DATE
				APPRV	R. SCHERER	DATE
						SEP 05, 2014

DIVISION	Interconnect Solutions	DIVISION CODE	EMSD
DO NOT SCALE DRAWING	SCALE 4-1	TOLERANCES EXCEPT AS NOTED	
THIRD ANGLE PROJECTION		INCHES	.0 ± .1 .00 ± .01 .000 ± .005 .0000 ± .0002
INTERPRET PER ASME Y14.5 - 2018		MILLIMETERS	0 ± 2 .0 ± .3 .00 ± .13 .000 ± .005
MAX SURFACE ROUGHNESS		MARKED ONLY	

3M	3M Center St. Paul, MN 55144	© 3M COPYRIGHT 2021 This document and the information it contains are 3M property and may not be reproduced or further distributed without 3M permission, or used or disclosed other than for 3M authorized purposes. All rights reserved.
TITLE		FOUR-WALL CONDO HEADER, .100 X .100 LATCH/EJECT, RA
CAGE NUMBER	SIZE	DRAWING NO.
D		78-5100-0774-9
MODEL	3400	REV. M

DRAWING NUMBER 78-5100-0774-9

REVISION M

SHT 4 OF 4