

SAW Filter 1227.0MHz
Part No: MP08826

Model: TA1227BBB
Rev No: 1

A. MAXIMUM RATING:

Electrostatic Sensitive Device (ESD)

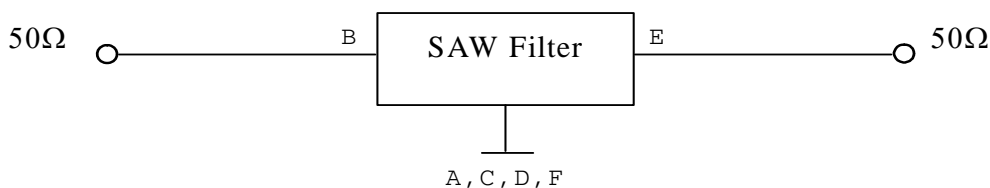
1. Input Power Level: 20dBm
2. DC Voltage: 3V
3. Operating Temperature: -40°C to +85°C
4. Storage Temperature: -40°C to +85°C
5. Moisture Sensitivity Level: Level 1 (MSL 1)

B. ELECTRICAL CHARACTERISTICS:

Item	Unit	Min.	Typ.	Max.	Note
Center Frequency Fc	MHz	-	1227	-	-
Insertion Loss (1217 ~ 1237MHz) IL	dB	-	1.3	2.2	-
Amplitude Ripple (1217 ~ 1237MHz)	dB	-	0.4	2	-
VSWR (1217 ~ 1237MHz)		-	1.3	2	-
Relative Attenuation (relative to 0dB)					
D.C. ~ 450MHz	dB	28	32	-	-
450 ~ 1150MHz	dB	24	27	-	-
1150 ~ 1177MHz	dB	20	37	-	-
1277 ~ 1300MHz	dB	20	35	-	-
1300 ~ 2000MHz	dB	27	31	-	-

C. MEASUREMENT CIRCUIT:

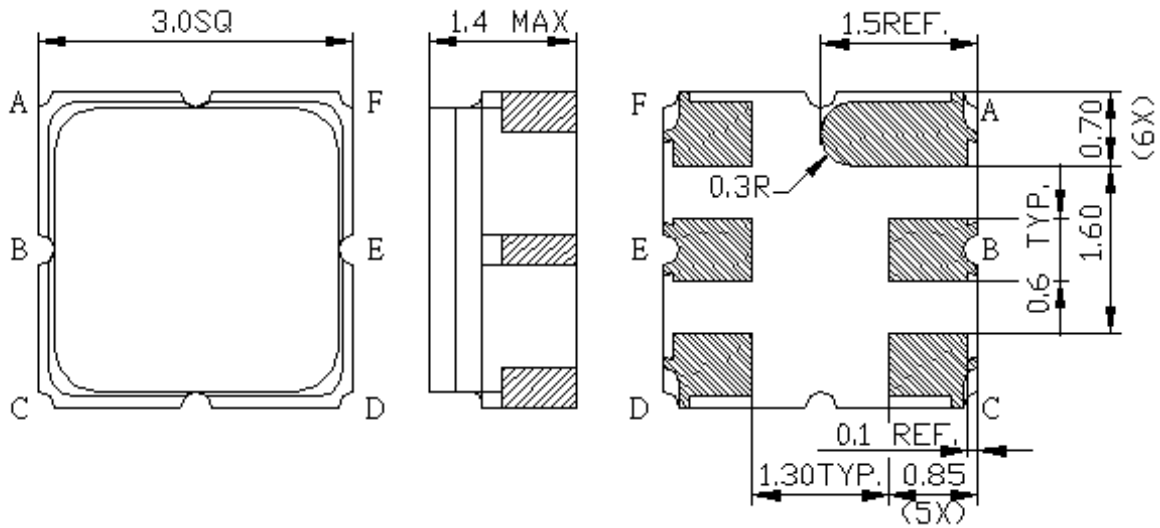
HP Network analyzer



SAW Filter 1227.0MHz
Part No: MP08826

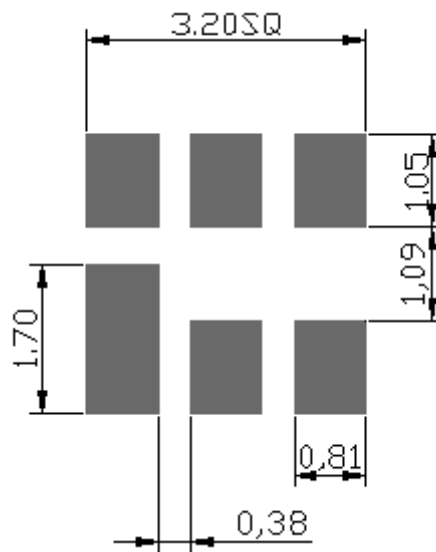
Model: TA1227BBB
Rev No: 1

D. OUTLINE DRAWING:



B: Input / Output
 E: Output / Input
 A, C, D, F: Ground
 Unit: mm

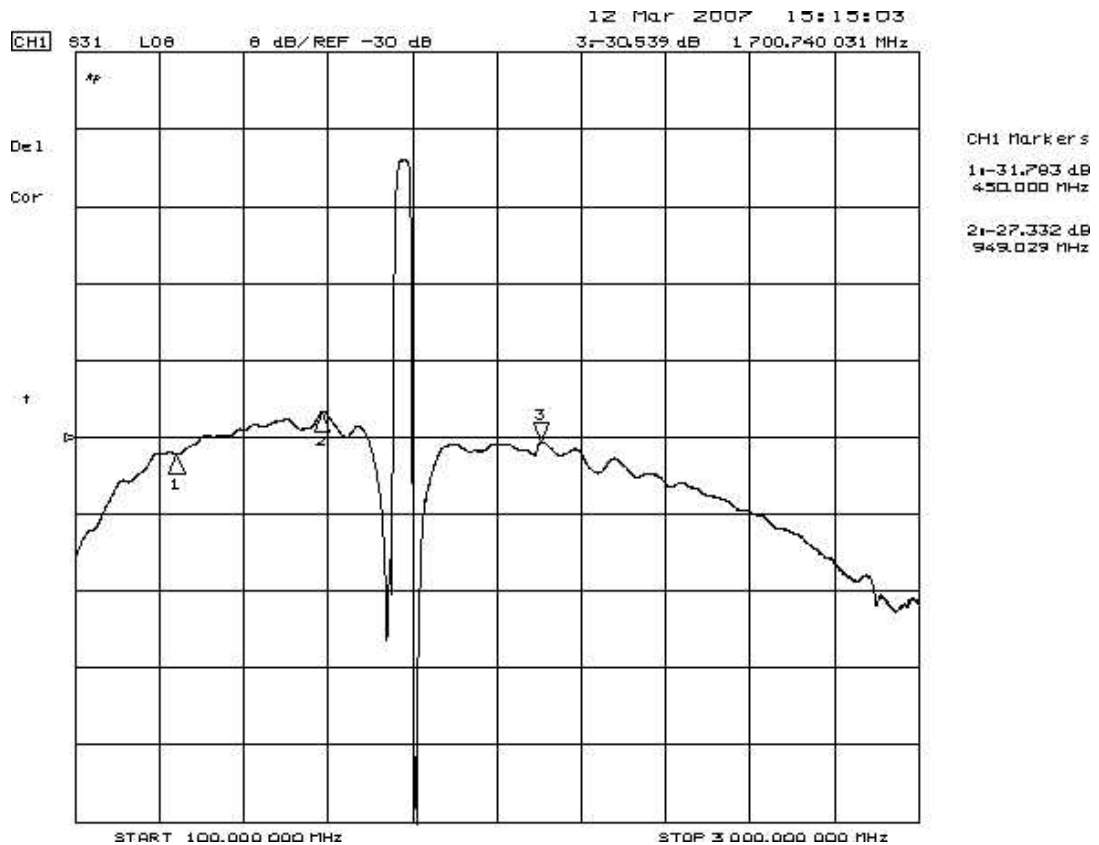
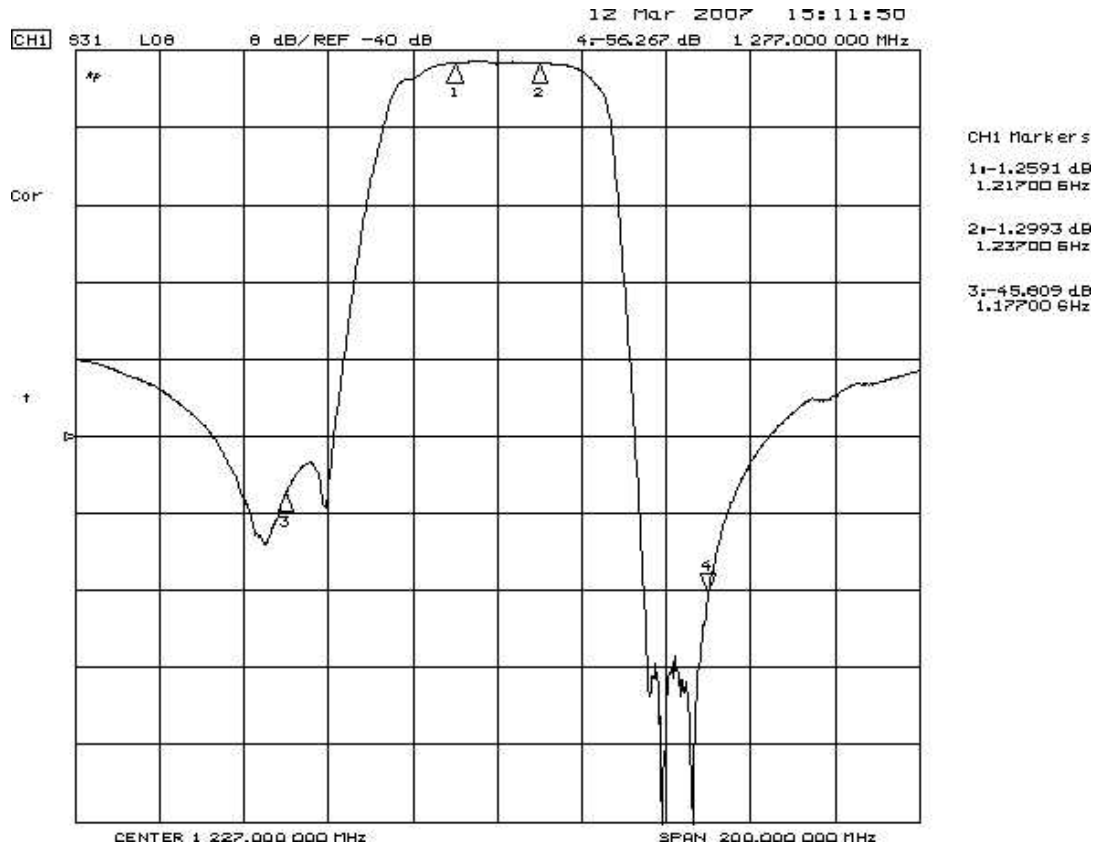
E. PCB FOOTPRINT:



SAW Filter 1227.0MHz
Part No: MP08826

Model: TA1227BBB
Rev No: 1

F. FREQUENCY CHARACTERISTICS:

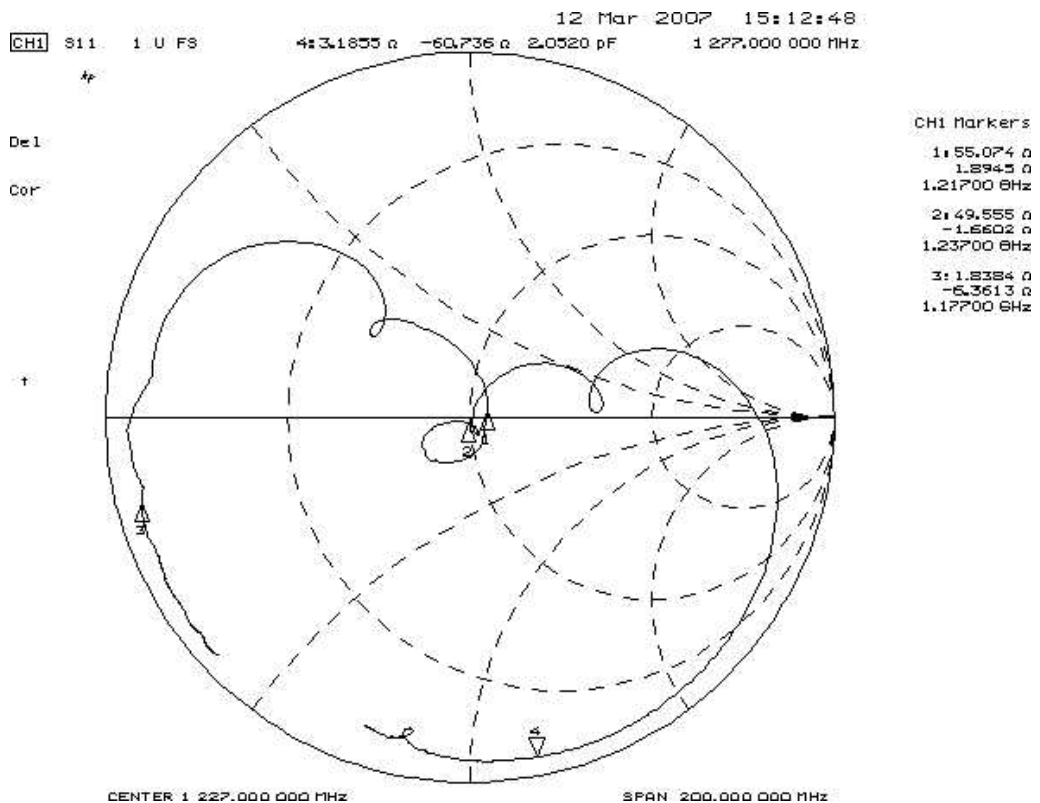
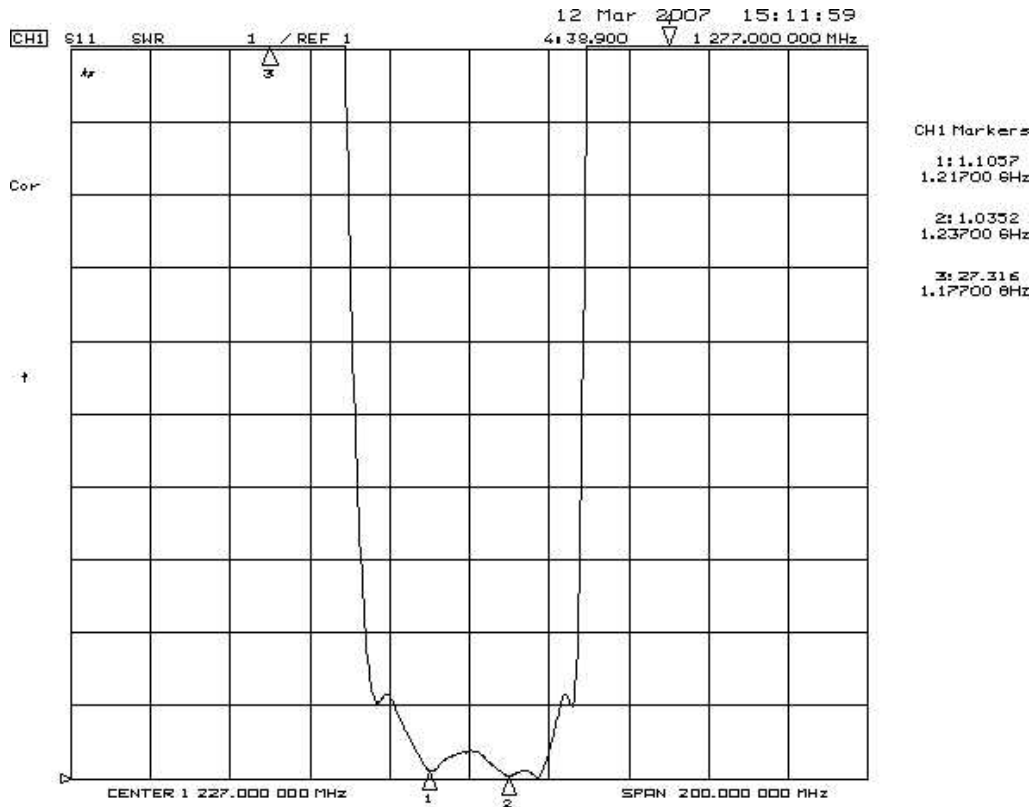


SAW Filter 1227.0MHz
Part No: MP08826

Model: TA1227BBB
Rev No: 1

Reflections Functions

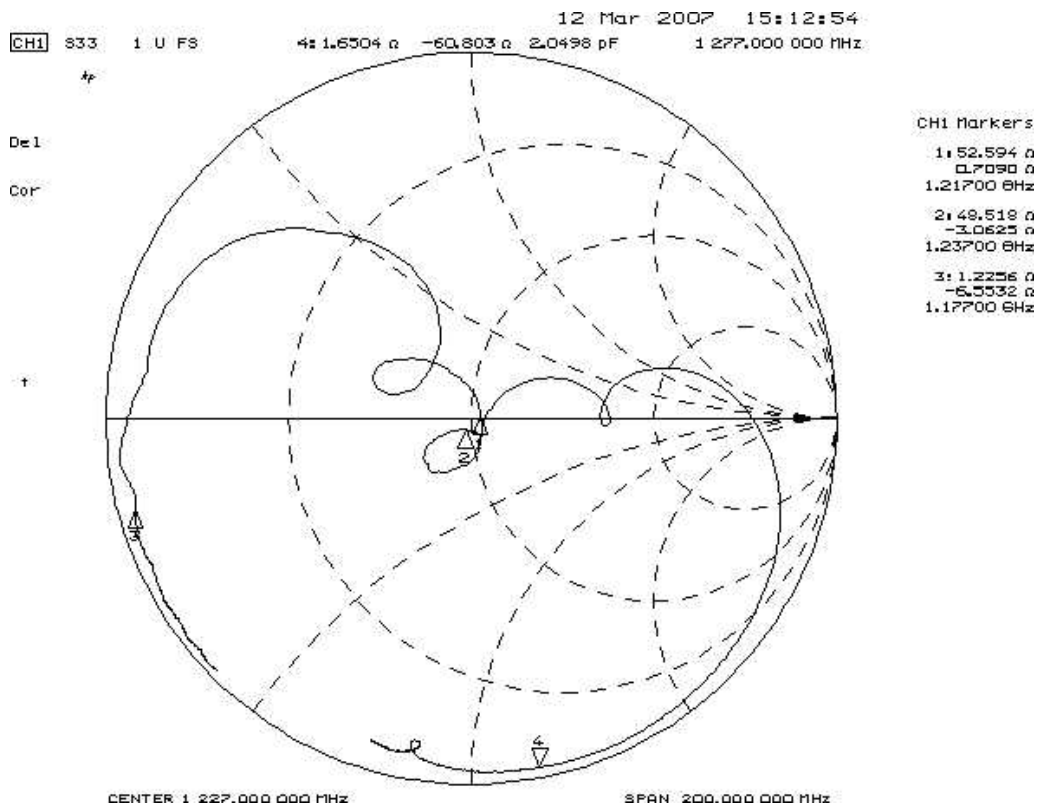
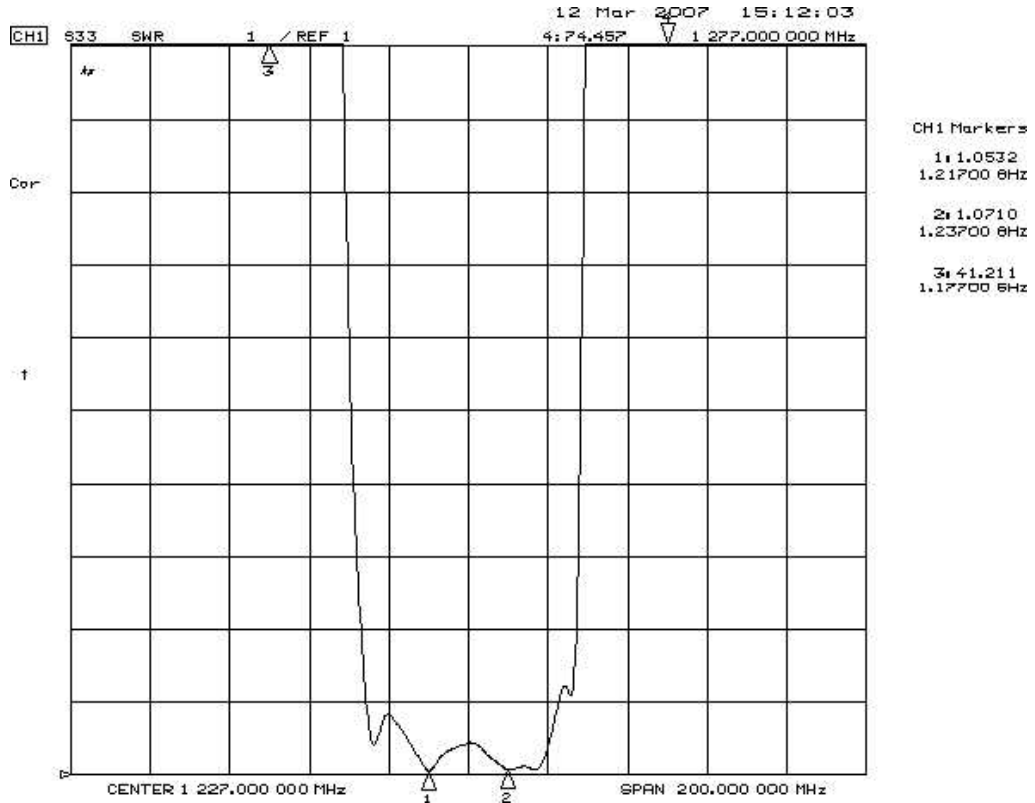
S11 VSWR



SAW Filter 1227.0MHz
Part No: MP08826

Model: TA1227BBB
Rev No: 1

S22 VSWR

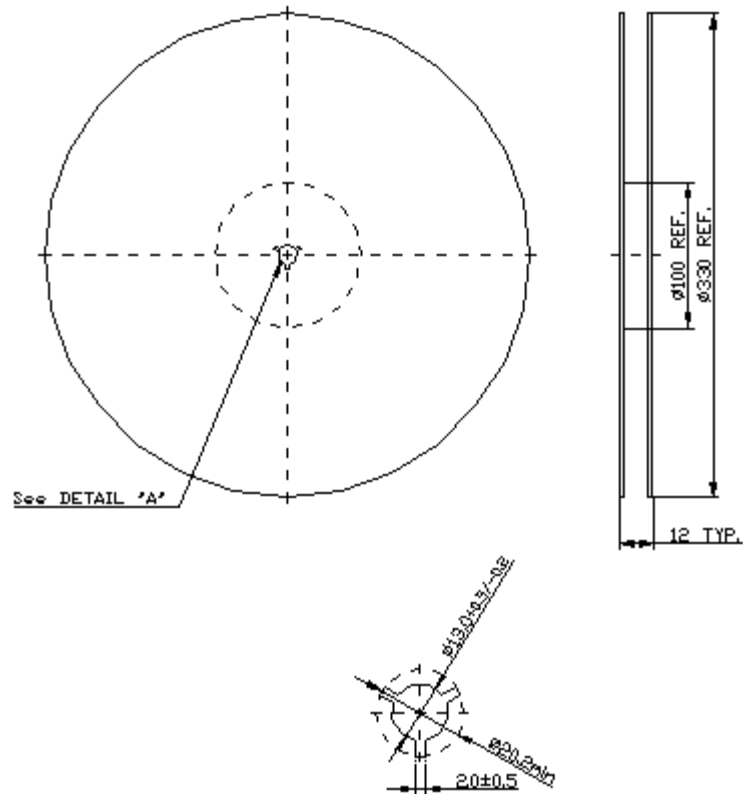


SAW Filter 1227.0MHz
Part No: MP08826

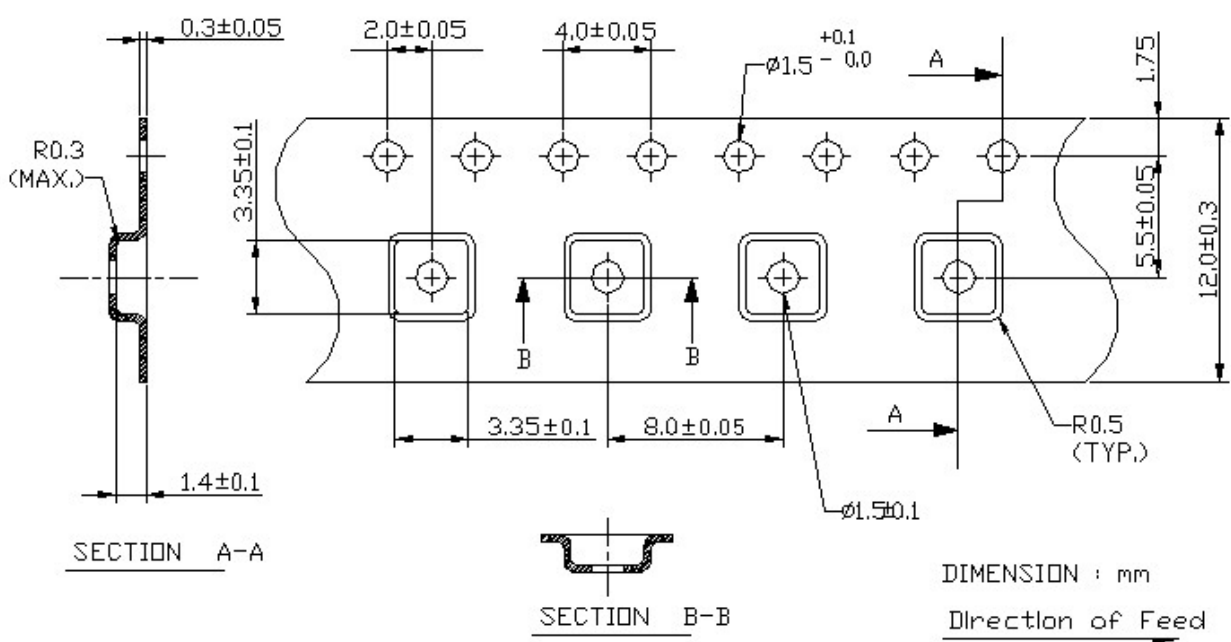
Model: TA1227BBB
Rev No: 1

G. PACKING:

1. Reel Dimension (Reel Count: 7" = 1000; 13" = 3000)



2. Tape Dimension



SAW Filter 1227.0MHz
Part No: MP08826

Model: TA1227BBB
Rev No: 1

H. RECOMMENDED REFLOW PROFILE:

1. Preheating shall be fixed at 150 ~ 180°C for 60 ~ 90 seconds.
2. Ascending time to preheating temperature 150°C shall be 30 seconds min.
3. Heating shall be fixed at 220°C for 50 ~ 80 seconds and at 260°C +0/-5°C peak (20 ~ 40 sec).
4. Time: 2 times.

