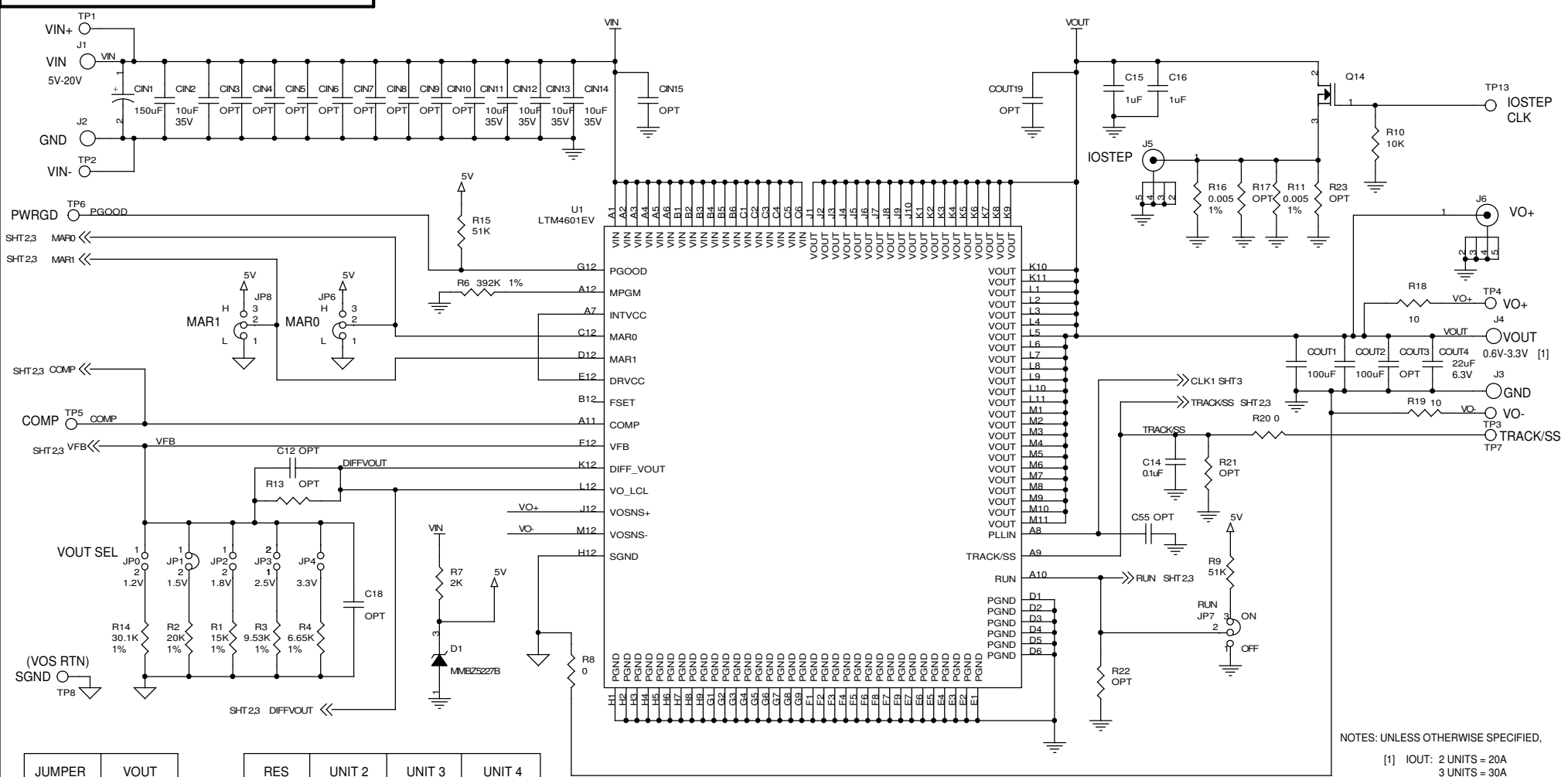


This circuit is proprietary to Linear Technology and supplied for use with Linear Technology parts.

Customer Notice: Linear Technology has made a best effort to design a circuit that meets customer-supplied specifications; however, it remains the customer's responsibility to verify proper and reliable operation in the actual application. Component substitution and printed circuit board layout may significantly affect circuit performance or reliability. Contact Linear Applications Engineering for assistance.


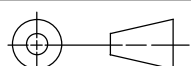

REVISION HISTORY				
ECO	REV	DESCRIPTION	DATE	APPROVED
	1	PROTO	12/29/05	
	2	Change, Correction, Modifications 05/09/06 more chgs	04/04/06	
	3	Change D1, R7, R29, 100506; More Changes 11/09/06; More Changes	100506	



JUMPER	VOUT
JP0	1.2V
JP1	1.5V
JP2	1.8V
JP3	2.5V
JP4	3.3V

RES	UNIT 2	UNIT 3	UNIT 4
R14	30.1K	20K	15K
R2	20K	13.3K	10K
R1	15K	10K	7.5K
R3	9.53K	6.34K	4.75K
R4	6.65K	4.42K	3.32K

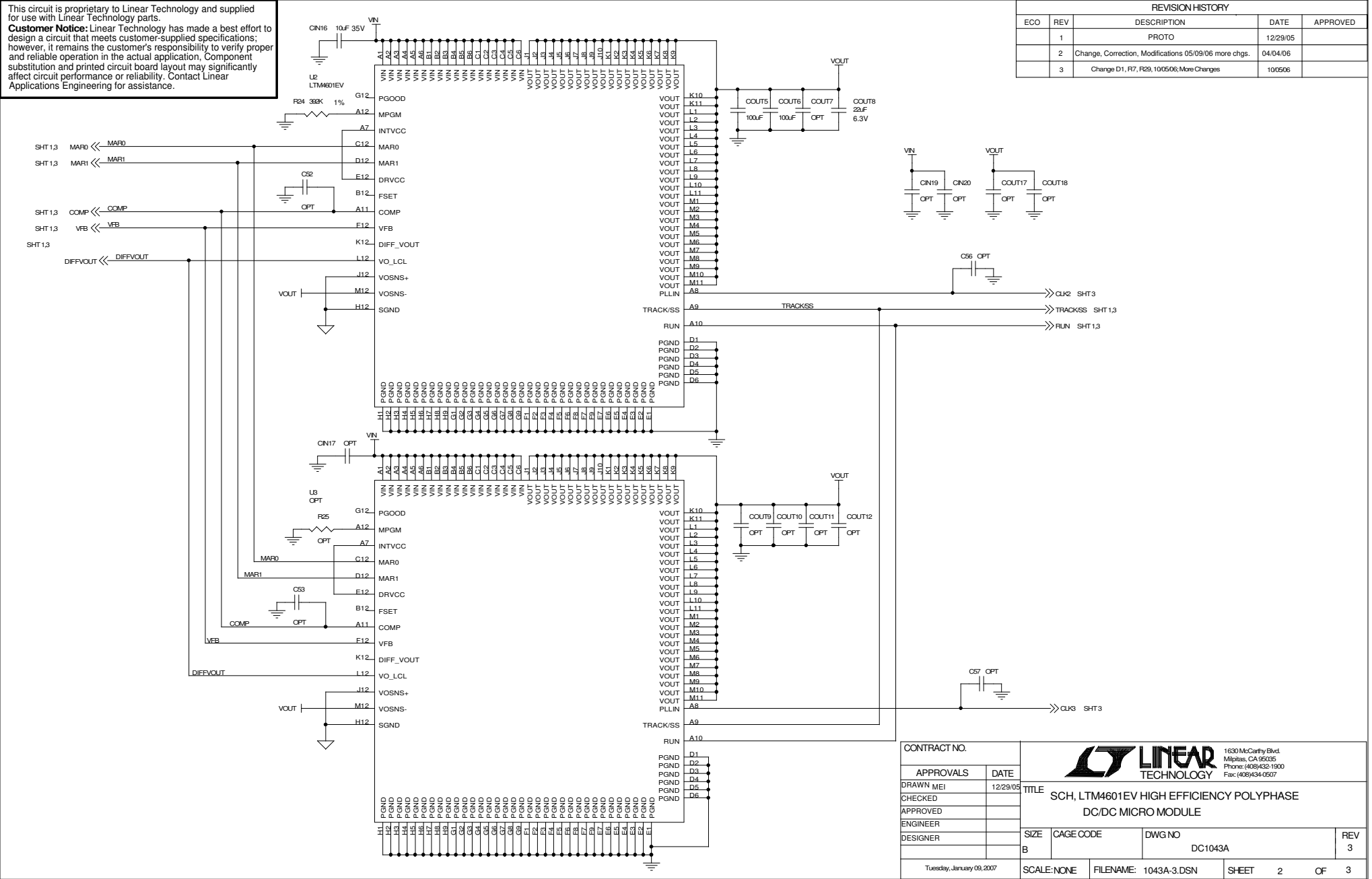
NOTES: UNLESS OTHERWISE SPECIFIED,
 [1] IOUT: 2 UNITS = 20A
 3 UNITS = 30A
 4 UNITS = 40A


UNLESS OTHERWISE SPECIFIED DIMENSIONS ARE IN INCHES TOLERANCE ON ANGLE --- 2 PLACES --- 3 PLACES --- INTERPRET DIM AND TOL PER ASME Y14.5M -1994	CONTRACT NO.		 1630 McCarthy Blvd. Milpitas, CA 95035 Phone: (408)432-1900 Fax: (408)434-0507
	APPROVALS	DATE	
 THIRD ANGLE PROJECTION	DRAWN MEI	12/29/05	TITLE SCH, LTM4601EV HIGH EFFICIENCY POLYPHASE DC/DC MICRO MODULE
	CHECKED		
	APPROVED		
	DESIGNER		
 DO NOT SCALE DRAWING	SIZE	CAGE CODE	DWG NO DC1043A
	Custom		REV 3
Tuesdays, January 09, 2007		SCALE: NONE	FILENAME: 1043A-3.DSN SHEET 1 OF 3

This circuit is proprietary to Linear Technology and supplied for use with Linear Technology parts.

Customer Notice: Linear Technology has made a best effort to design a circuit that meets customer-supplied specifications; however, it remains the customer's responsibility to verify proper and reliable operation in the actual application, Component substitution and printed circuit board layout may significantly affect circuit performance or reliability. Contact Linear Applications Engineering for assistance.

REVISION HISTORY				
ECO	REV	DESCRIPTION	DATE	APPROVED
	1	PROTO	12/29/05	
	2	Change, Correction, Modifications 05/09/06 more chgs.	04/04/06	
	3	Change D1, R7, R29, 100506; More Changes	100506	

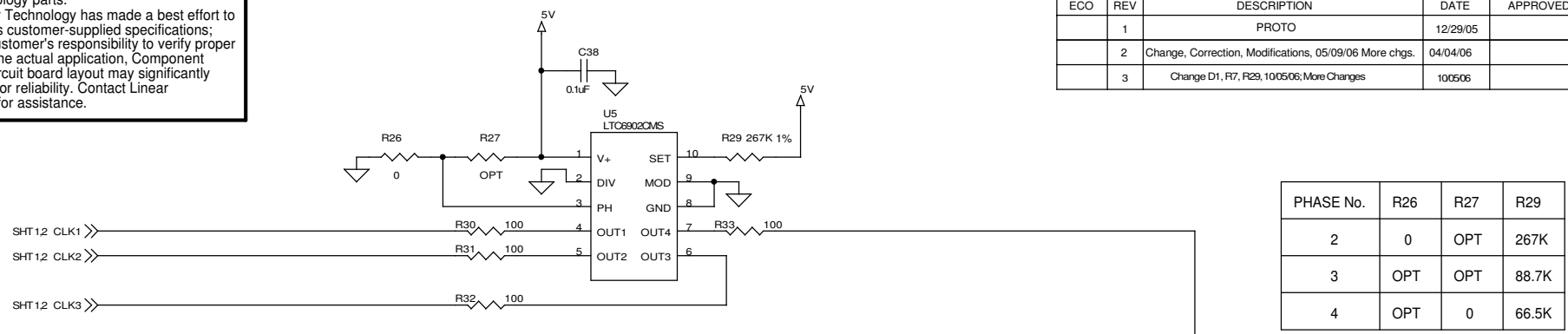


CONTRACT NO.		 LINEAR TECHNOLOGY 1630 McCarthy Blvd. Milpitas, CA 95035 Phone: (408)432-1900 Fax: (408)434-0507	
APPROVALS	DATE		
DRAWN MEI	12/29/05	TITLE	
CHECKED		SCH, LTM4601EV HIGH EFFICIENCY POLYPHASE DC/DC MICRO MODULE	
APPROVED		SIZE	REV
DESIGNER		B	3
DESIGNER		CAGE CODE	DWG NO
			DC1043A
Tuesday, January 09, 2007		SCALE: NONE	FILENAME: 1043A-3.DSN
		SHEET	2 OF 3

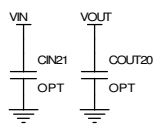
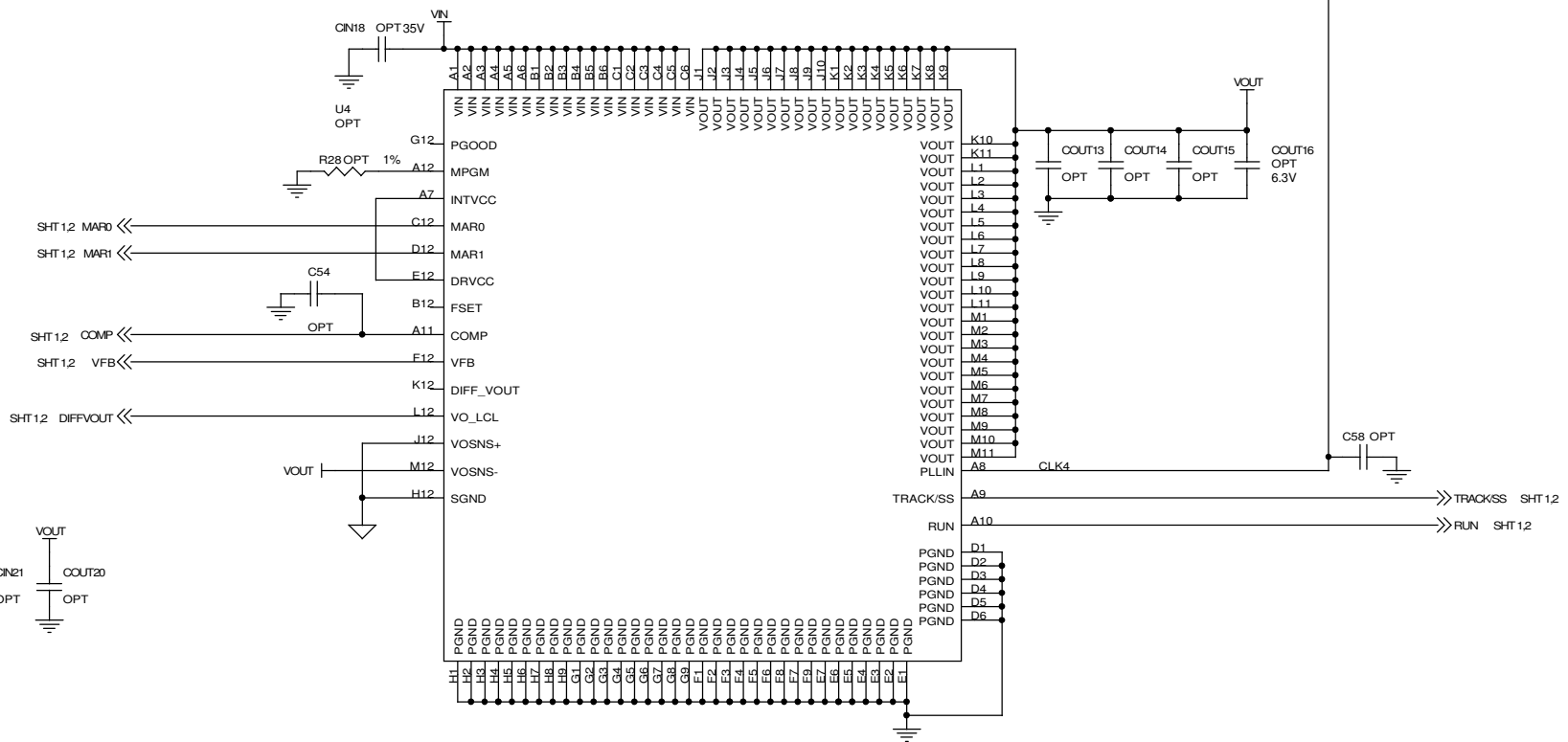
This circuit is proprietary to Linear Technology and supplied for use with Linear Technology parts.

Customer Notice: Linear Technology has made a best effort to design a circuit that meets customer-supplied specifications; however, it remains the customer's responsibility to verify proper and reliable operation in the actual application. Component substitution and printed circuit board layout may significantly affect circuit performance or reliability. Contact Linear Applications Engineering for assistance.

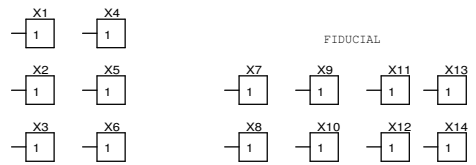
REVISION HISTORY				
ECO	REV	DESCRIPTION	DATE	APPROVED
	1	PROTO	12/29/05	
	2	Change, Correction, Modifications, 05/09/06 More chgs.	04/04/06	
	3	Change D1, R7, R29, 100506; More Changes	100506	




PHASE No.	R26	R27	R29
2	0	OPT	267K
3	OPT	OPT	88.7K
4	OPT	0	66.5K



USED IN PCB MANUFACTURING



CONTRACT NO.		 1630 McCarthy Blvd. Milpitas, CA 95035 Phone: (408)432-1900 Fax: (408)434-0507	
APPROVALS	DATE		
DRAWN MEI	12/29/05	TITLE SCH, LTM4601EV HIGH EFFICIENCY POLYPHASE DC/DC MICRO MODULE	
CHECKED			
APPROVED			
ENGINEER			
DESIGNER		SIZE Custom	CAGE CODE
		DWG NO DC1043A	REV 3
Tuesday, January 09, 2007		SCALE: NONE	FILENAME: 1043A-3.DSN
		SHEET 3	OF 3