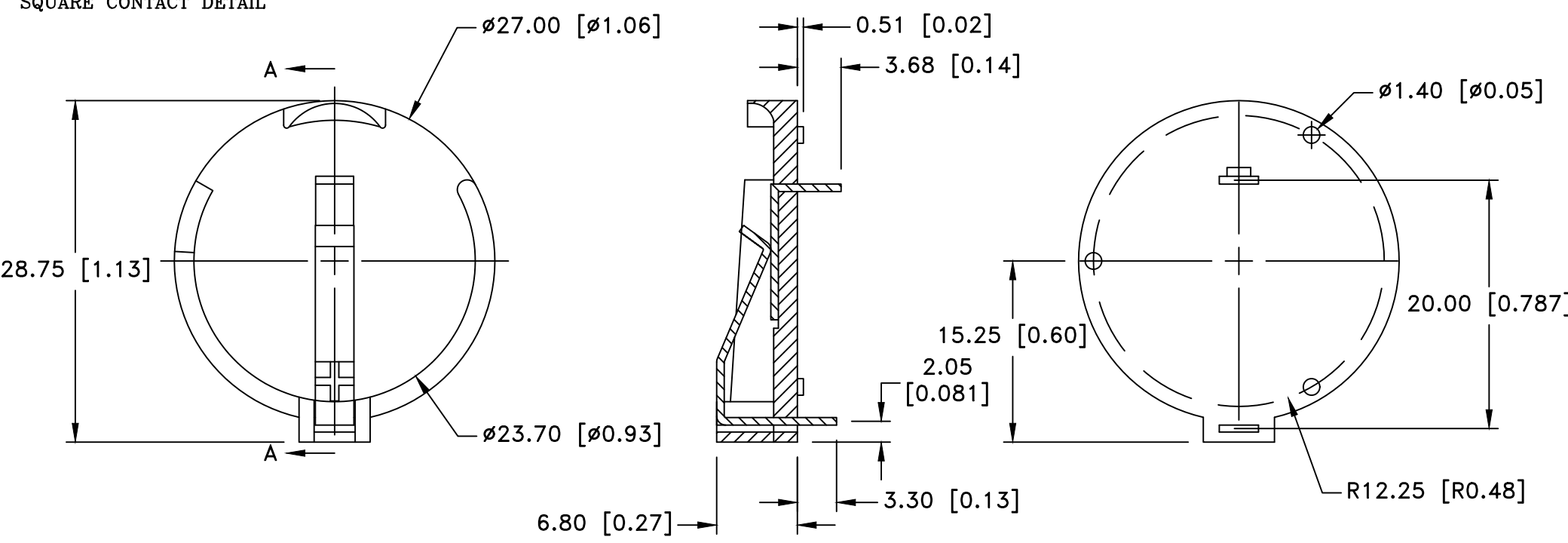



Date	SYM	REVISION RECORD	AUTH	DR.	CK.
11/07/19	J	Added weight of the part	T B	B S	



NOTES:  
 MATERIAL:  
 HOLDER: PBT, BLACK, UL94V-0, UL FILE NO. E53829  
 POS. CONT.: PHHOS-BRONZE, 0.0236" THICK, NICKEL PLATED  
 NEG. CONT.: 302/304 STN. STL., 0.0236" THICK, NICKEL PLATED  
 TEMPERATURE RANGE: -40°C TO 140°C  
 APPROXIMATE WEIGHT: 2.61g  
 ROHS COMPLIANT

Tolerance (Except as noted)	 <b>Memory Protection Devices, Inc</b> 200 Broad Hollow Road, Farmingdale, New York 11735			
	decimal ±.5 (.020)		Scale	Drawn By B.S. Approved By T.B.
Fractional ± .8 (.030)	Title 23mm BATTERY HOLDER WITH EASY IN-OUT			
Angular ± 3°	Date 11/07/19	Drawing Number BH908T-C		