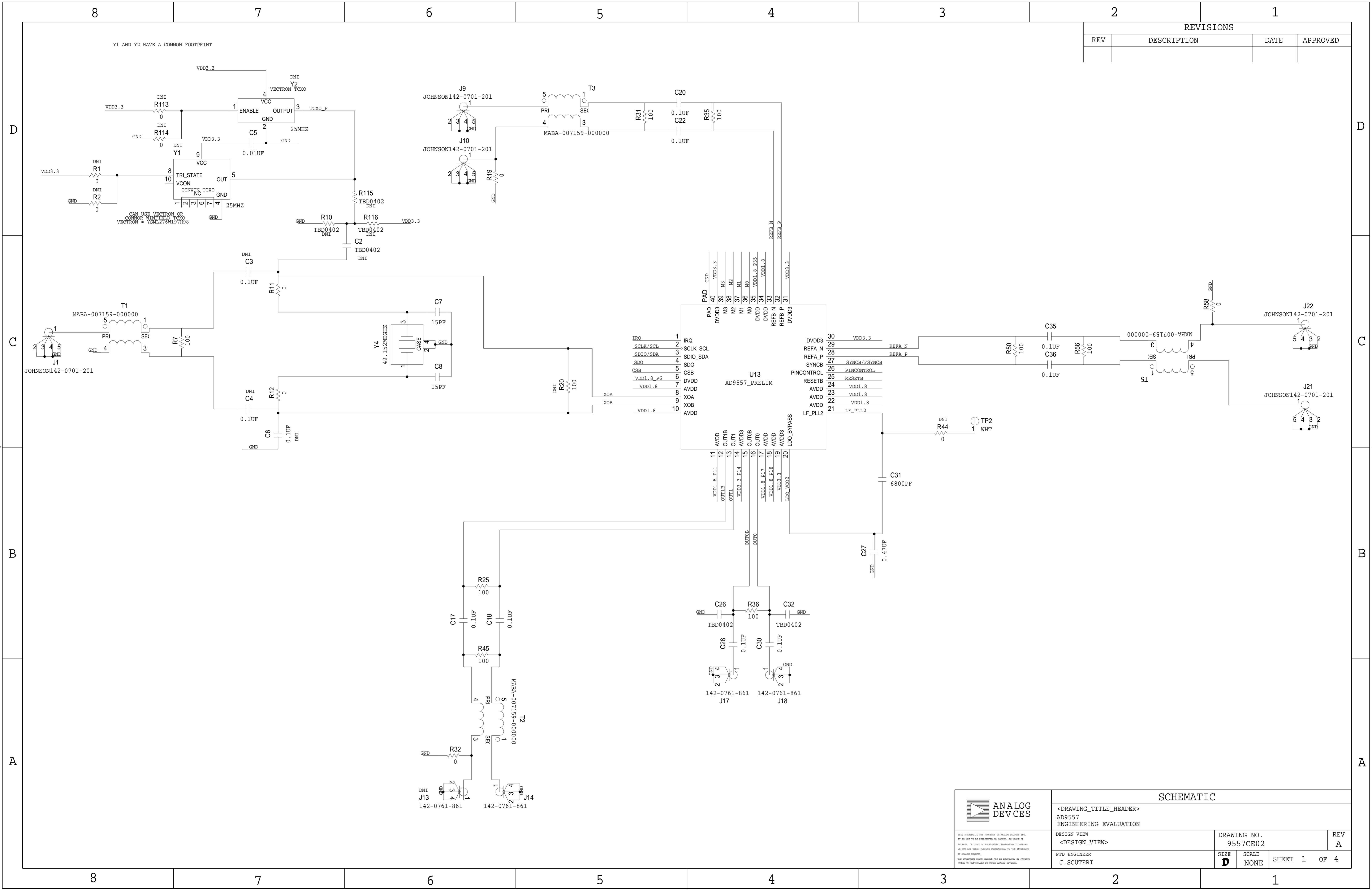


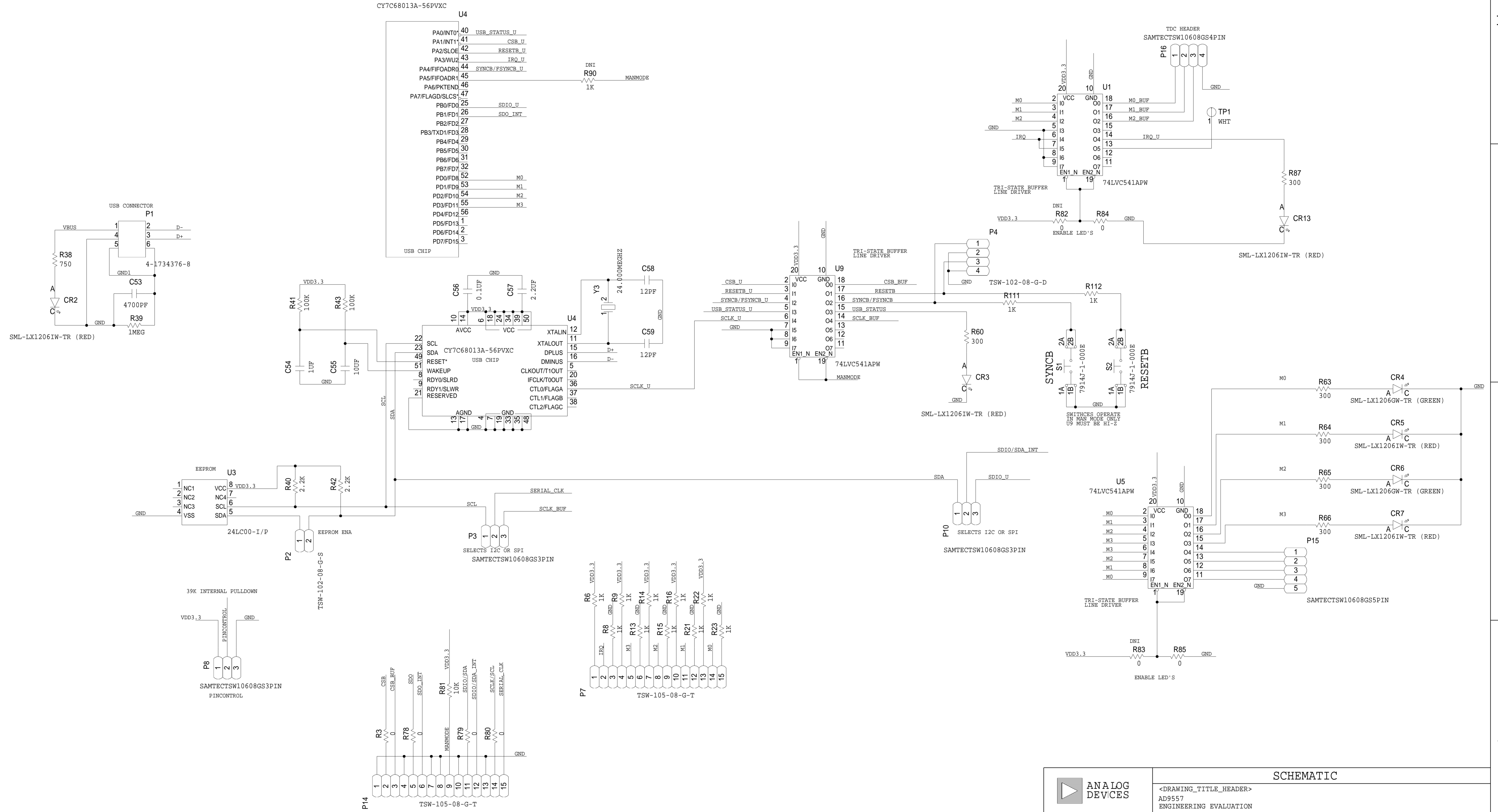
REVISIONS			
REV	DESCRIPTION	DATE	APPROVED



	<b>SCHEMATIC</b>		
	<DRAWING_TITLE_HEADER> AD9557 ENGINEERING EVALUATION		
	DESIGN VIEW <DESIGN_VIEW>	DRAWING NO. 9557CE02	REV A
	PTD ENGINEER J. SCUTERI	SCALE NONE	SHEET 1 OF 4

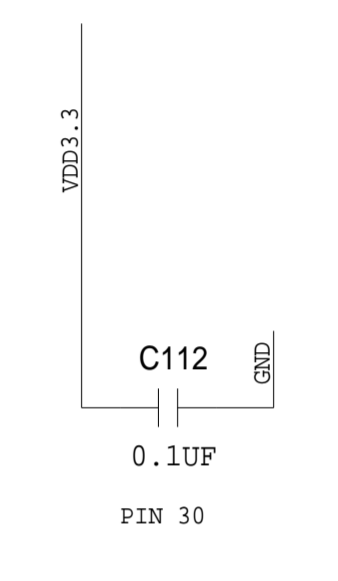
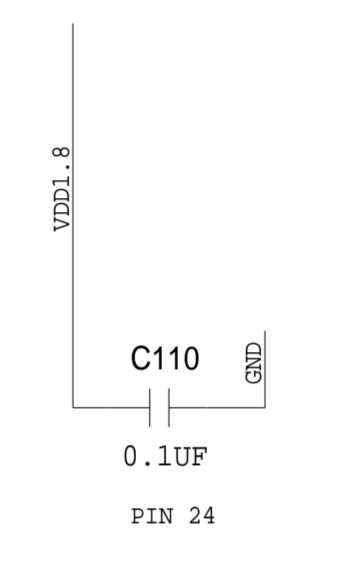
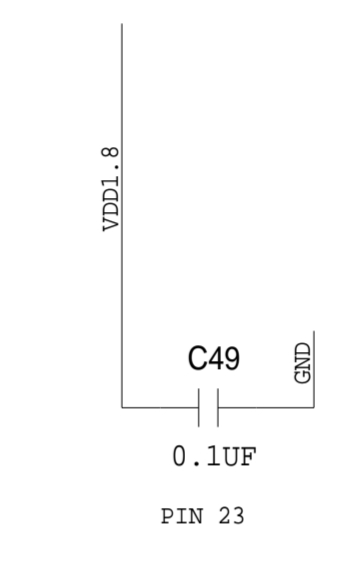
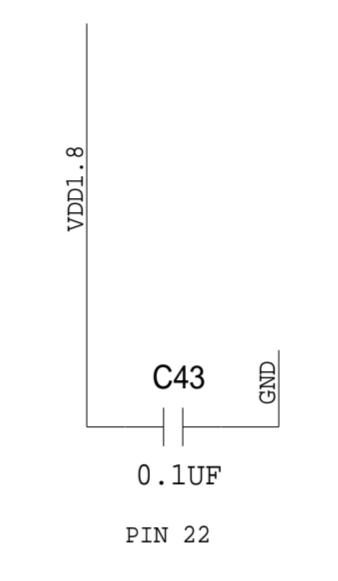
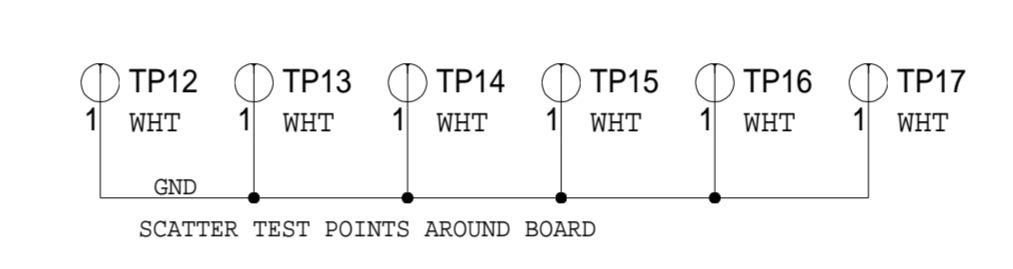
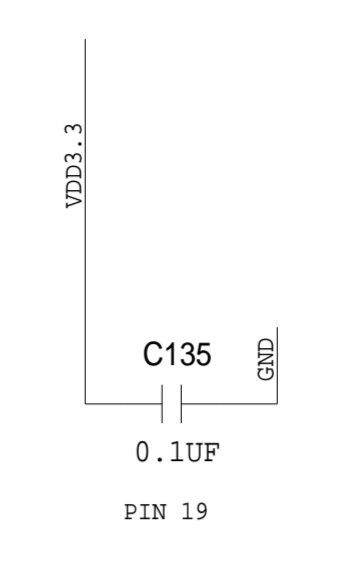
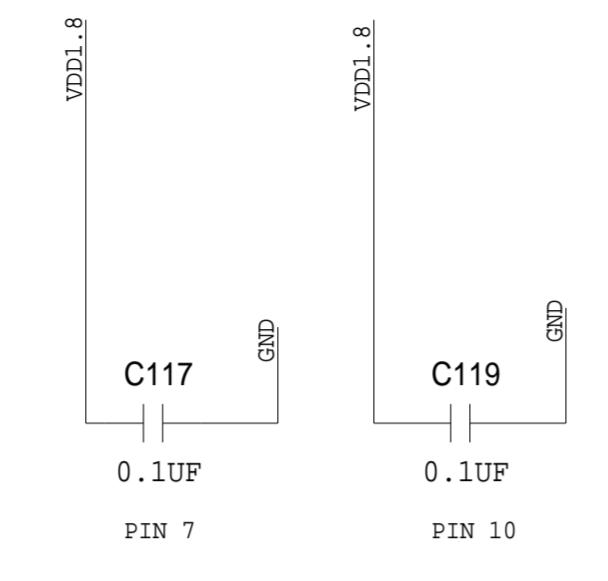
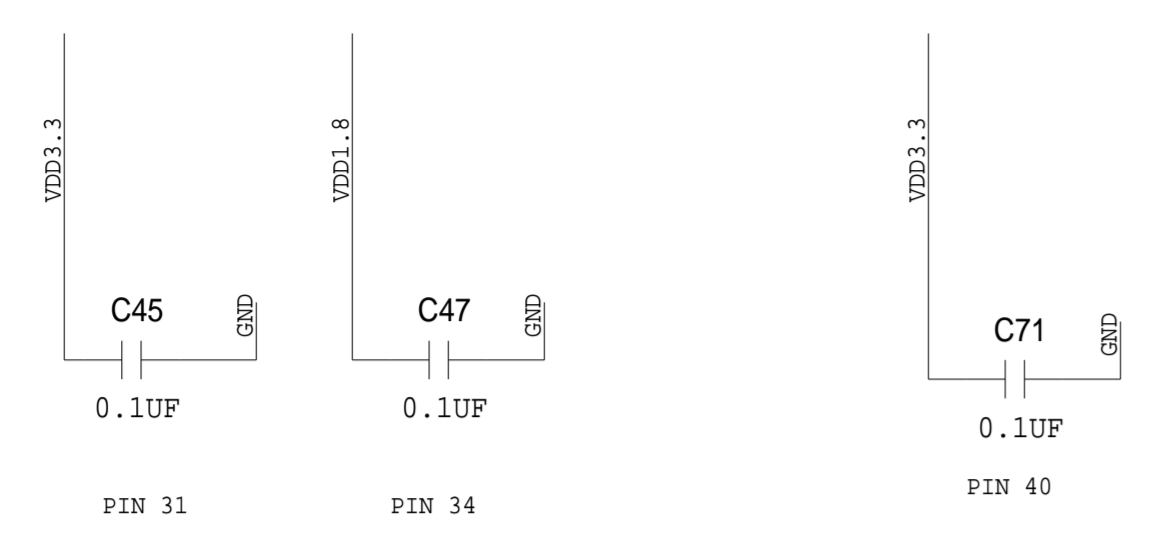
# USB SECTION

REVISIONS			
REV	DESCRIPTION	DATE	APPROVED

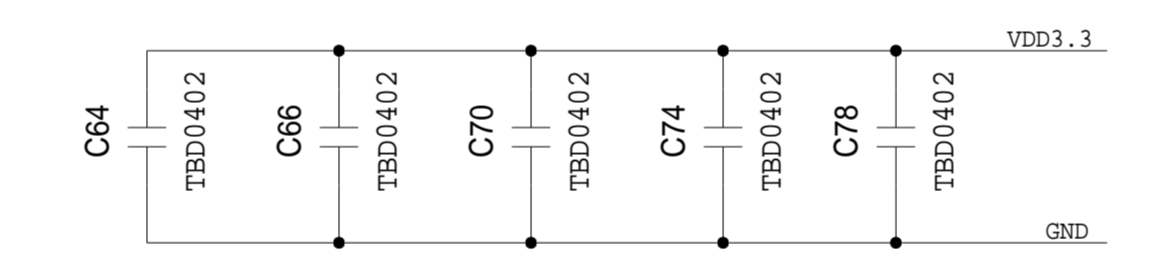
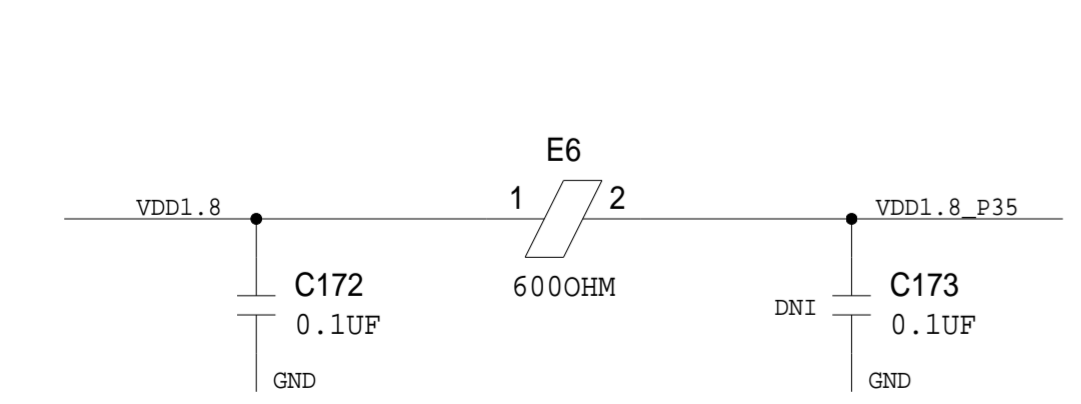
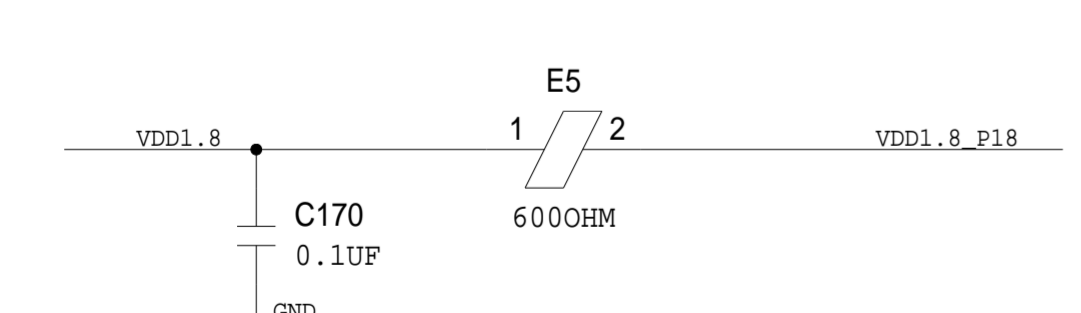
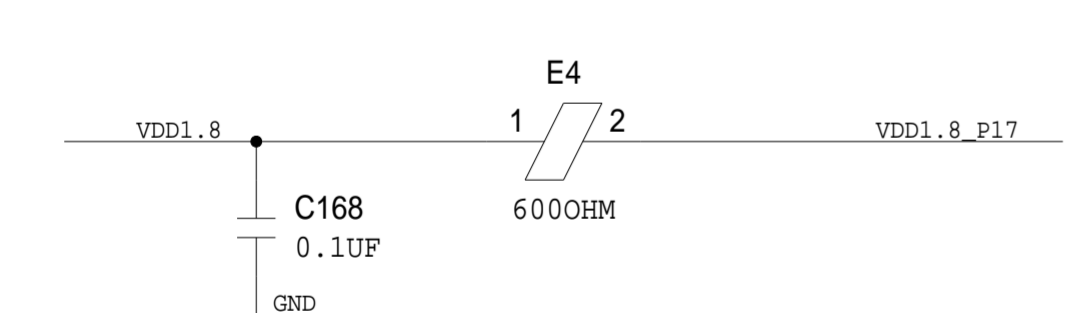
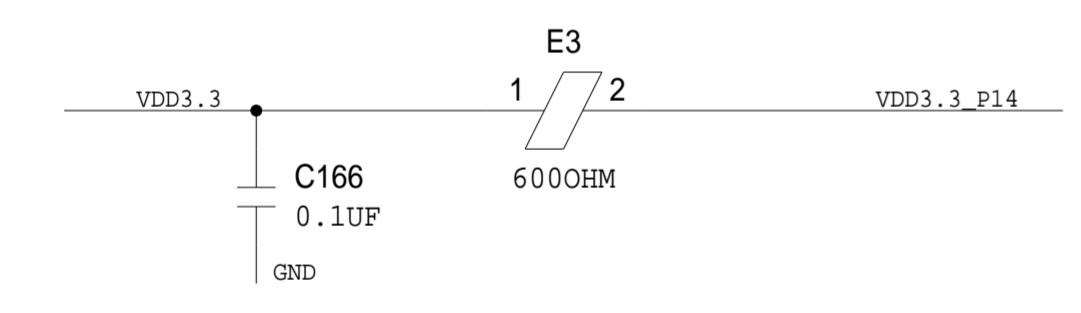
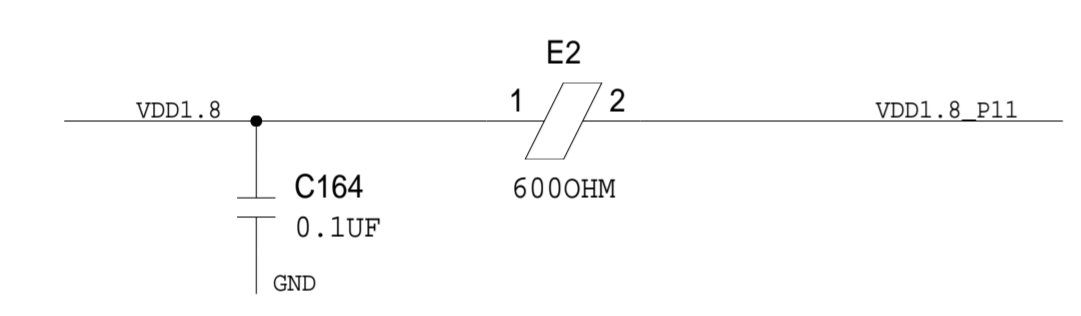
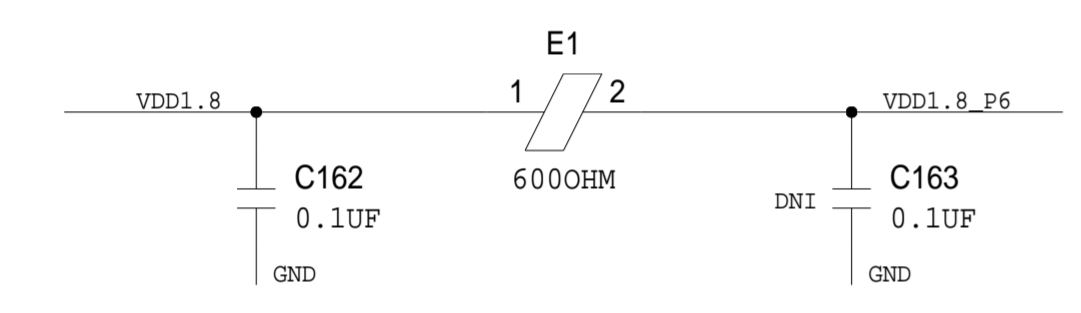


SCHEMATIC			
<p>ANA LOG DEVICES</p> <p>&lt;DRAWING_TITLE_HEADER&gt; AD9557 ENGINEERING EVALUATION</p>			
DESIGN VIEW <DESIGN_VIEW>	DRAWING NO. 9557CE02	REV A	
PTD ENGINEER J. SCUTERI	SCALE NONE	SHEET 2 OF 4	

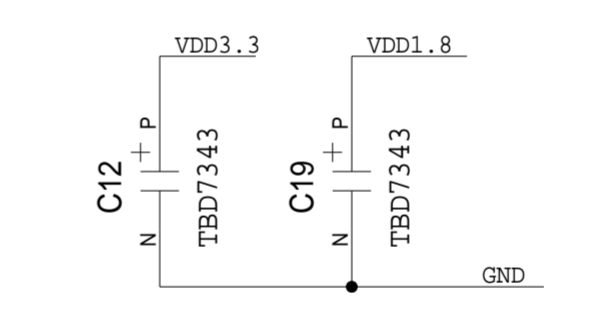
REVISIONS			
REV	DESCRIPTION	DATE	APPROVED



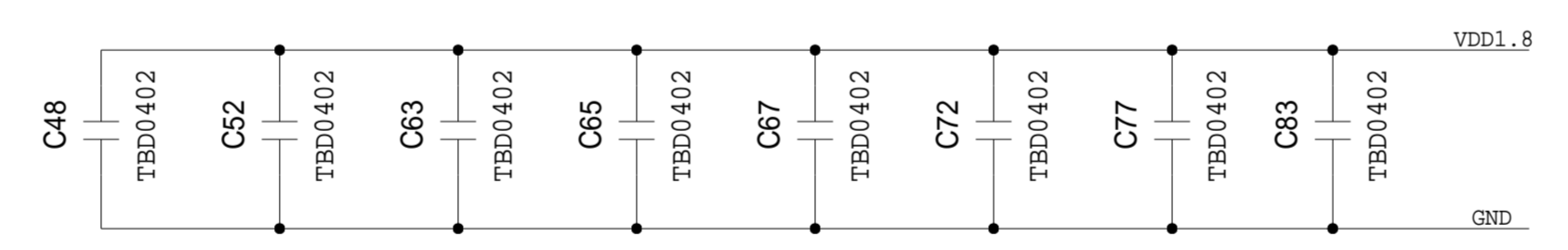
# BYPASS CAPS & FERRITE BEADS



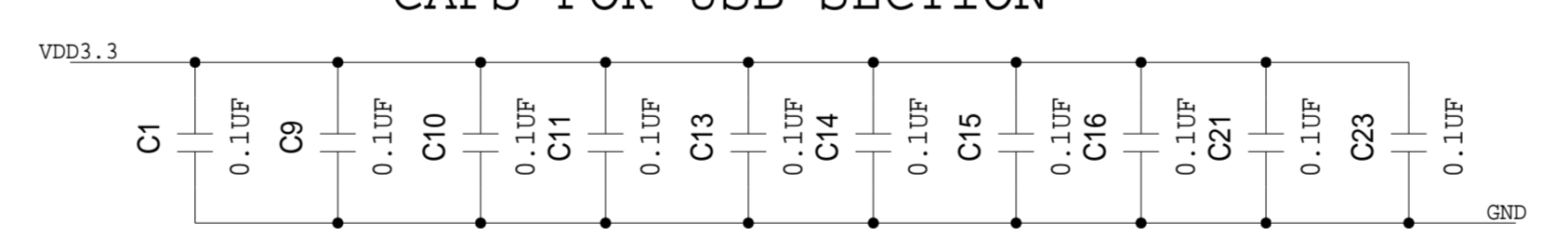
CAPS ON TOP OF EVB



CAPS ON BOT OF EVB



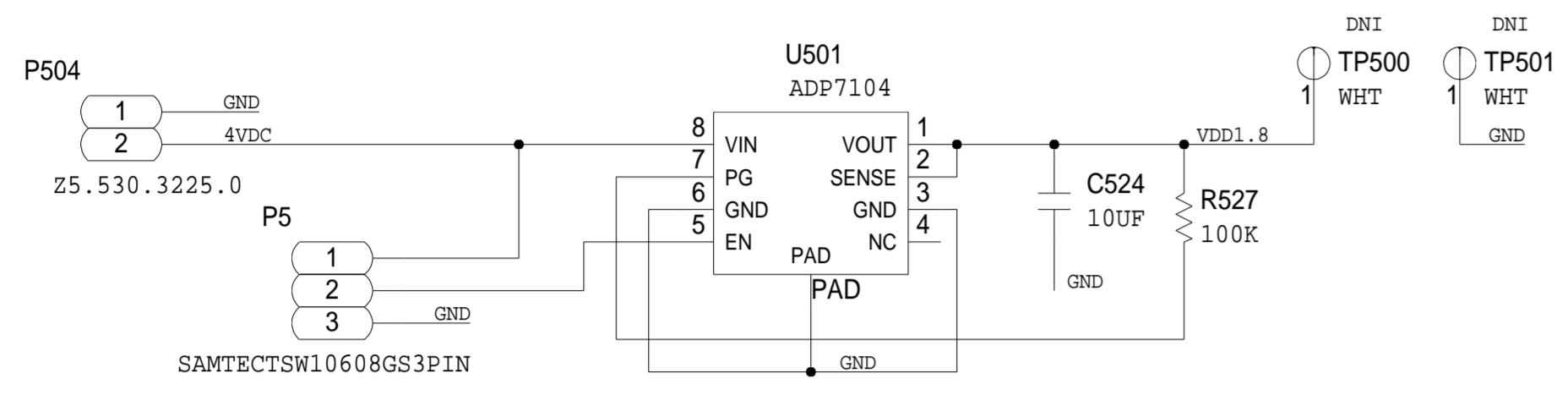
CAPS FOR USB SECTION



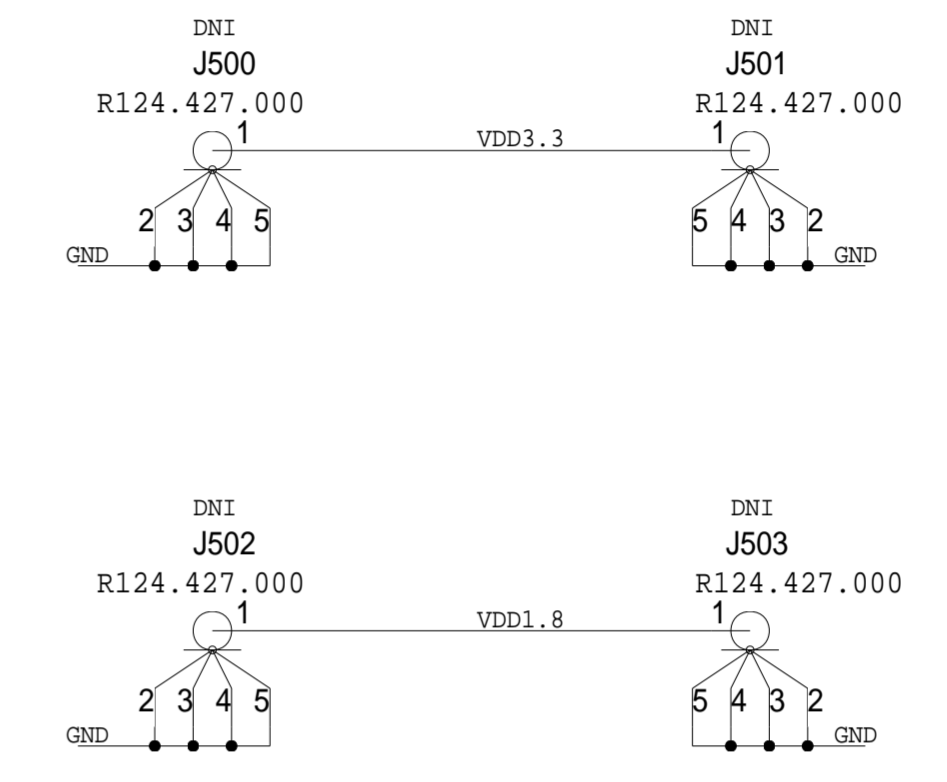
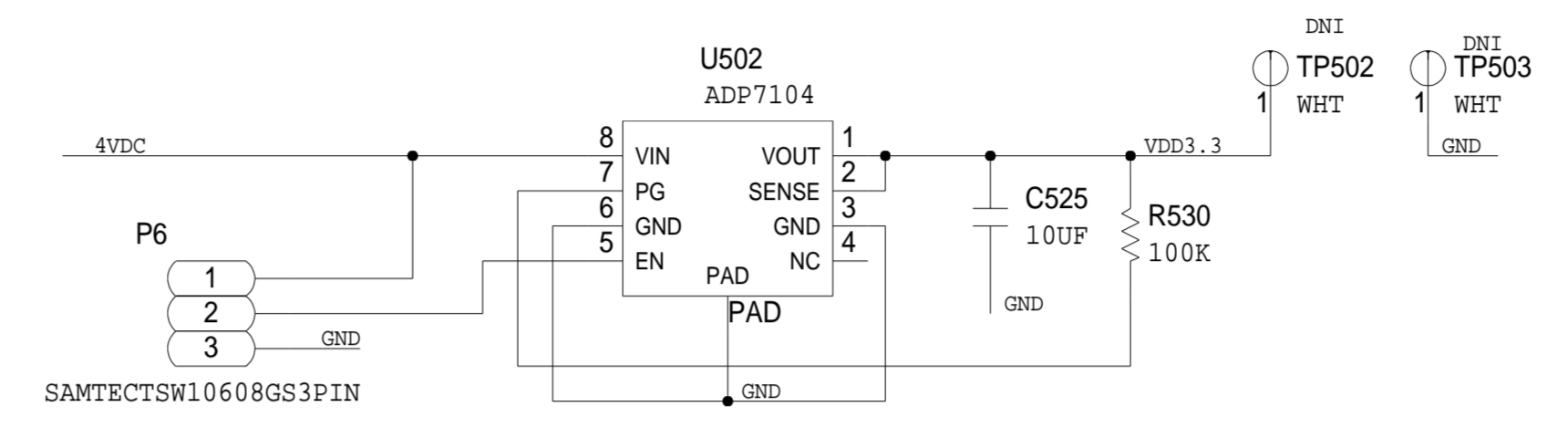
	SCHEMATIC		
	<DRAWING_TITLE_HEADER> AD9557 ENGINEERING EVALUATION		
	DESIGN VIEW <DESIGN_VIEW>	DRAWING NO. 9557CE02	REV A
	PTD ENGINEER J. SCUTERI	SIZE D	SCALE NONE
		SHEET 3 OF 4	

REVISIONS			
REV	DESCRIPTION	DATE	APPROVED

# 1.8V REGULATOR

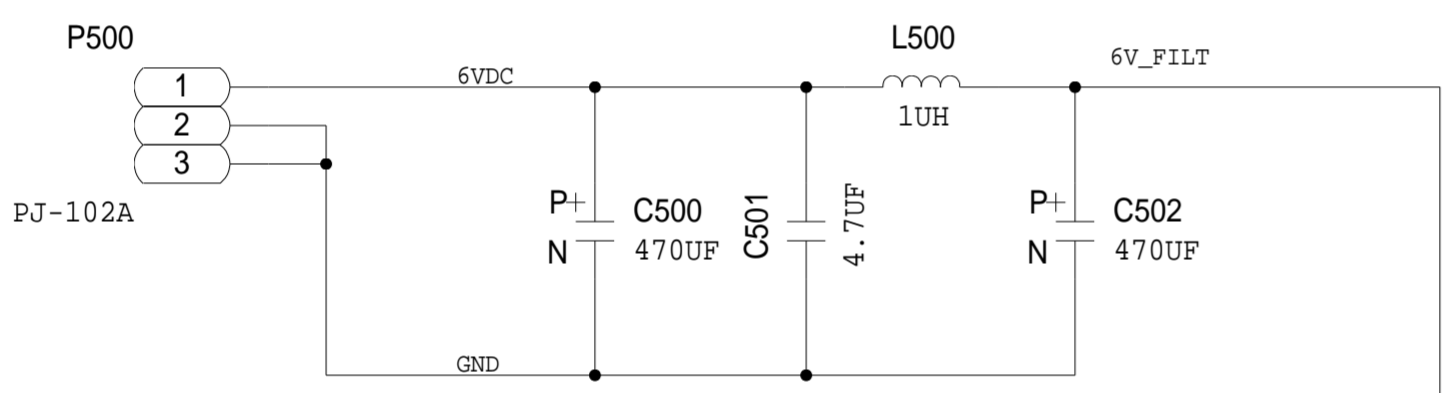


# 3.3V REGULATOR



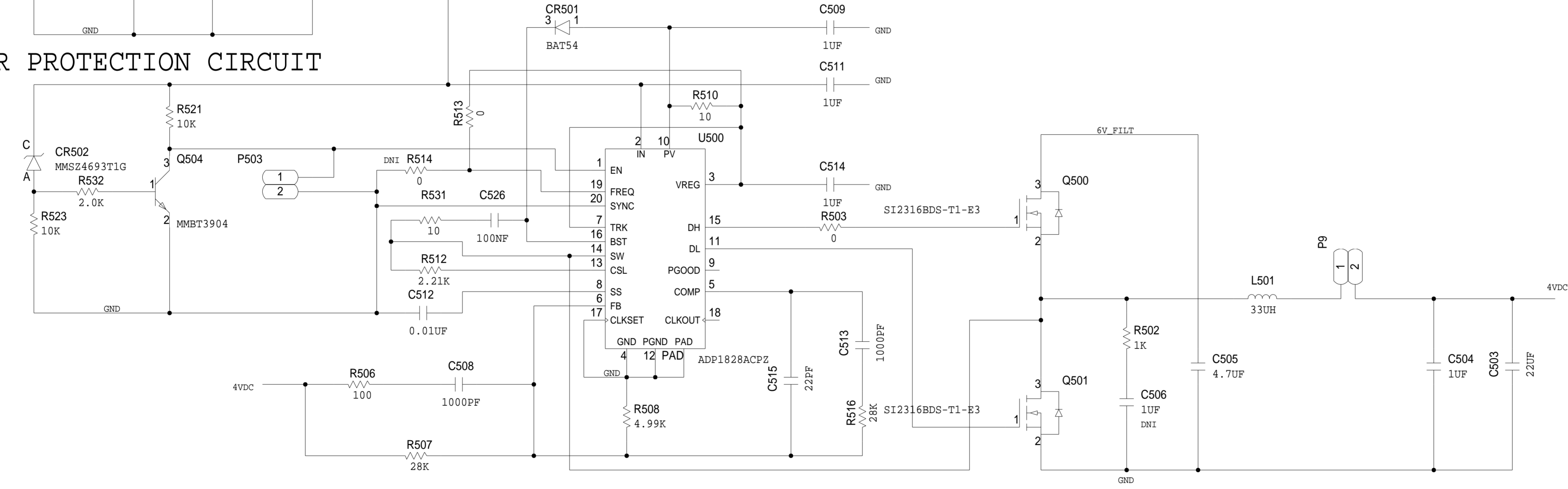
# DC TO DC STEP DOWN

## 6V WALL WART (AC ADAPTER)



## DC TO DC STEP DOWN

## 8.5V OVER PROTECTION CIRCUIT



	<b>SCHMATIC</b>		
	<DRAWING_TITLE_HEADER> AD9557 ENGINEERING EVALUATION		
	DESIGN VIEW <DESIGN_VIEW>	DRAWING NO. 9557CE02	REV A
	PTD ENGINEER J. SCUTERI	SIZE <b>D</b>	SCALE NONE