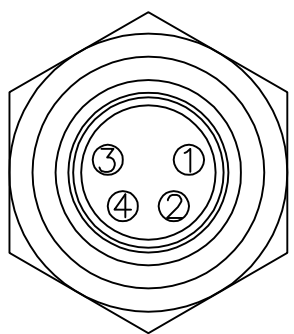
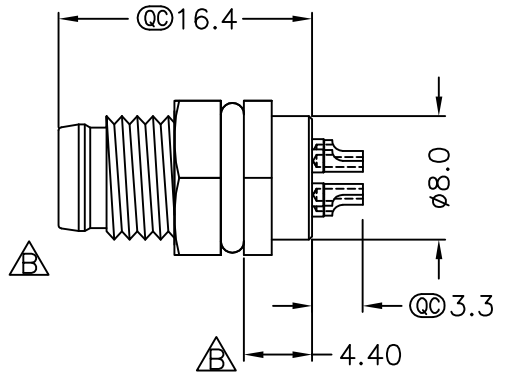
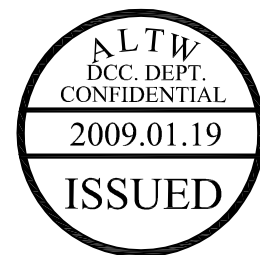
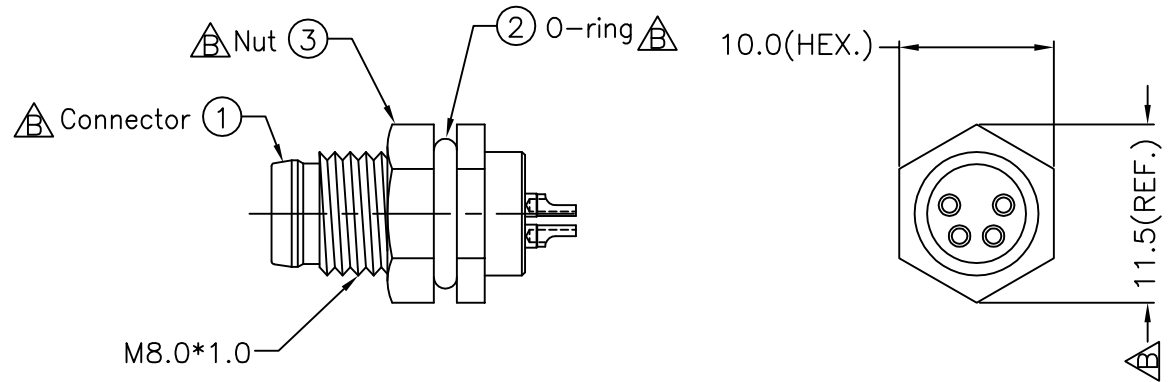
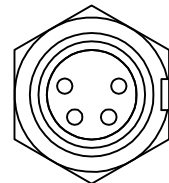
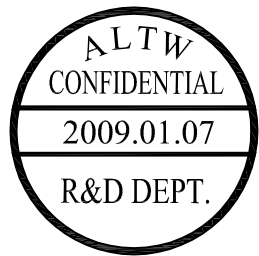
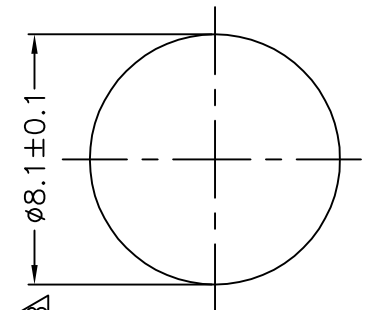


5	6	7	8
REV B	ECN NO. LEN-910195	DATE 2009/01/07	SIGN Ivan Lin
			DESCRIPTION Change rev. to ECN note

THIS DOCUMENT IS SUBJECT TO CHANGE WITHOUT NOTICE. IT IS CONFIDENTIAL AND A PROPERTY OF Amphenol LTW. DISCLOSURE TO THIRD PARTY HAS TO BE AUTHORIZED BY Amphenol LTW.



Pin Assignments  
Front View 前視圖



Recommended Panel Cut-Out

- Note:
- \* @ Important Dimension To Check.
  - \* Waterproof Rate: IP67
  - \* Housing: Black, Nylon+GF
  - \* Male Pin: Copper Alloy, Gold Plated
  - \* Nut: Black, Nylon+GF
  - \* O-Ring: Black, EPDM
  - \* For Panel Thickness Max 3.0mm

UNIT:mm TOLERANCE .X ±0.25 .XX ±0.1 .XXX ±0.05 ANGLES ±1°	TITLE M8 Conn Panel Screw 4P M Conn M Pin		<b>Amphenol LTW</b> 安費諾亮泰企業股份有限公司	ITEM NO 8P-04PMMS-SF7001	DRAWN BY Ivan Lin	DATE 2009/01/07
	SCALE FREE	SHEET 1 OF 1		DWG NO 8P-04PMMS-SF7001	CHECKED BY Tommy Hom	DATE 2009/01/07
	REV. B	SIZE A4		CUSTOMER ALTW	APPROVED BY Luke Chang	DATE 2009/01/07
	@ : Inspection Item					