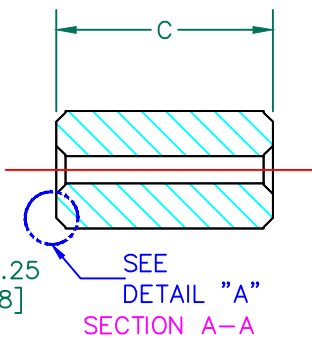
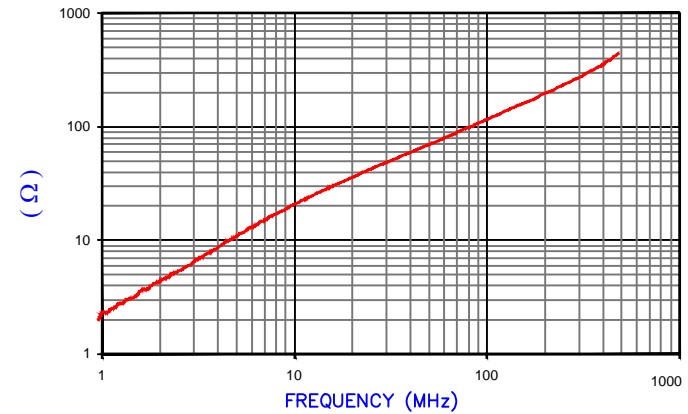


DETAIL "A"
CHAMFER
TYPICAL
SCALE=5:1



IMPEDANCE (Z)			
Frequency	25 MHz	100 MHz	300 MHz
Nominal (REF)	43 Ω	117 Ω	269 Ω
Minimum	- Ω	93 Ω	- Ω

Z vs. FREQUENCY



AGILENT E4991A Impedance/Material Analyzer
HP 16092A Test Fixture

FERRITE CORE DIMENSIONS (SPEC): mm [in]

A	33.50 [1.312]	±	0.90 [.035]
B	27.00 [1.063]	±	0.50 [.020]
C	12.00 [.472]	±	0.50 [.020]
D	6.50 [.256]	±	0.50 [.020]
E	1.50 [.059]	±	0.50 [.020]

WEIGHT/1000 9.79 kgs [21.58 Lbs]

NOTES:

- COSMETIC SPECIFICATION REFER TO WI-QA-038.

SCALE DRAWING 1:1

28R1319-000



DIMENSIONS ARE IN mm[INCHES].				This print is the property of Laird Tech. and is loaned in confidence subject to return upon request and with the understanding that no copies shall be made without the written consent of Laird Tech. All rights to design or invention are reserved.		Laird		
				PROJECT/PART NUMBER:		REV	PART TYPE:	DRAWN BY:
				28R1319-000		C	FERRITE RIBBON CORE	JRK
C	ADD NOTE 1	09/23/16	QIU	DATE:	11/26/08	SCALE:	3 : 1	MATERIAL:
B	UPDATE RADIUS	06/13/11	Jcai	CAD #		TOOL #	R1319	Ferrite
A	ORIGINAL DRAFT	11/26/08	JRK	28R1319-000-C				
REV	DESCRIPTION	DATE	INT					