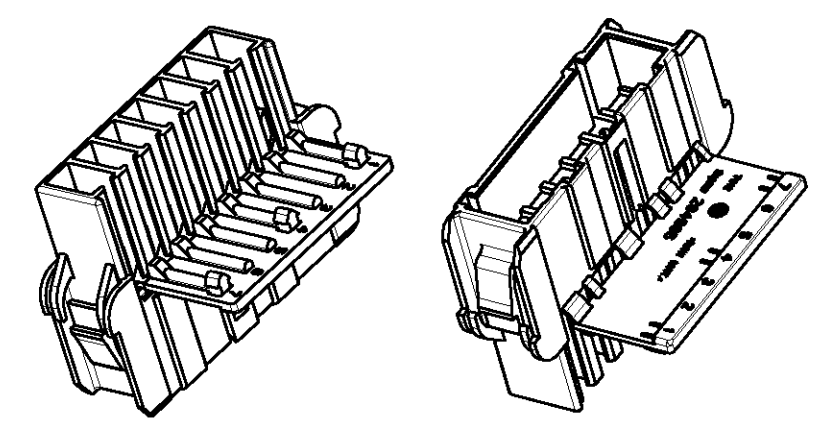


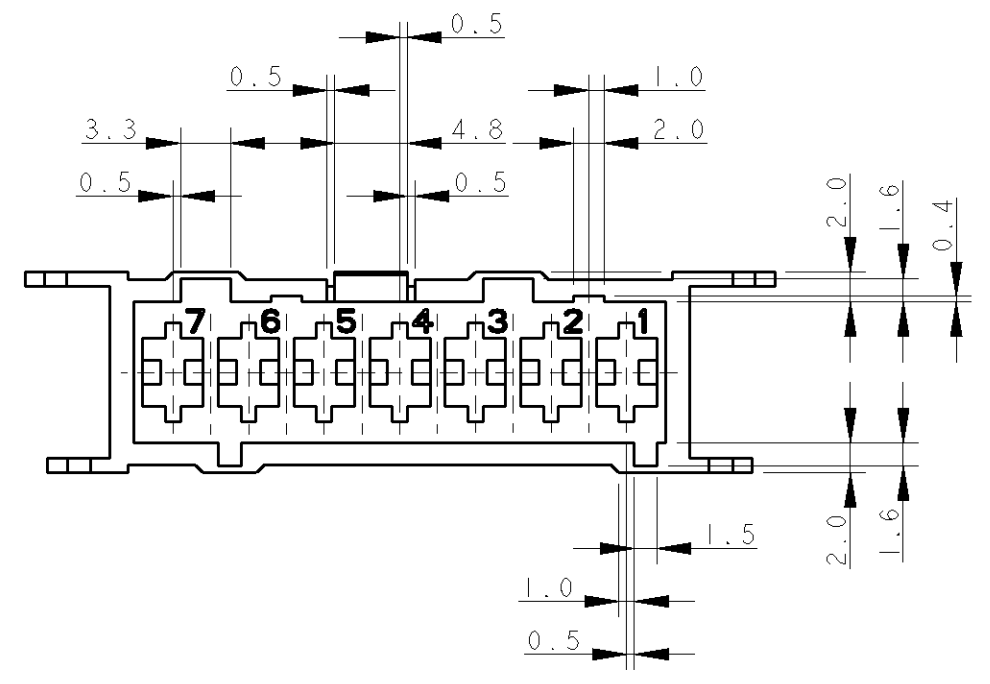
THIS DRAWING IS UNPUBLISHED. RELEASED FOR PUBLICATION 2003  
 © COPYRIGHT 2003 BY TYCO ELECTRONICS CORPORATION. ALL RIGHTS RESERVED.

### POLARIZATION KEYS SCHEME

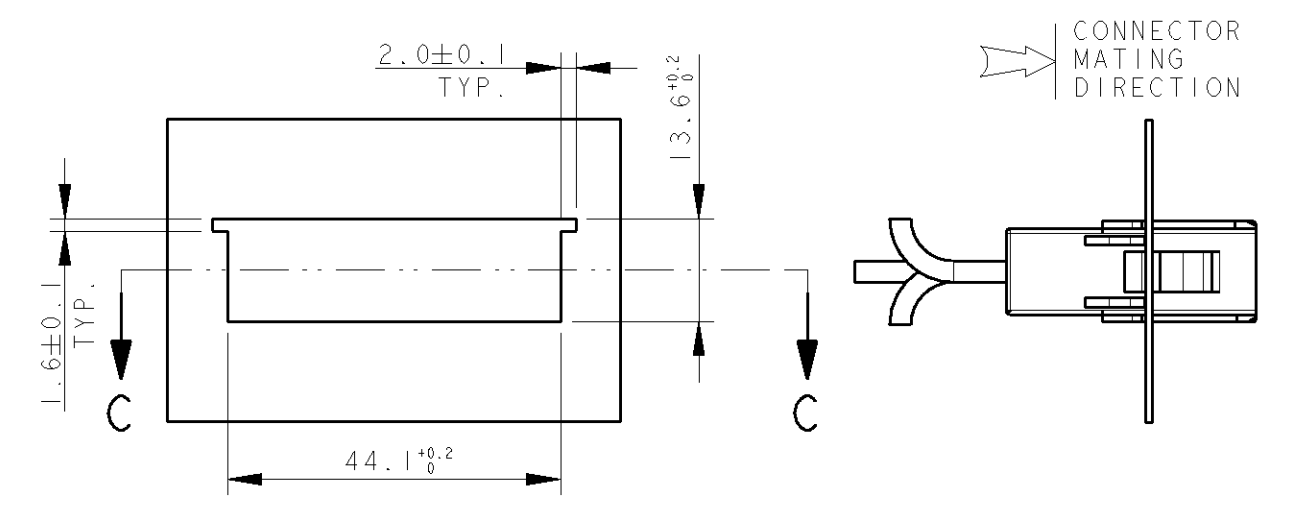
LOC	DIST	REVISIONS			
P	LTR	DESCRIPTION	DATE	DWN	APVD
A3		UPDATED, ET00-0132-04	21 JUN 2004	H. Y.	C. T.
A4		RELEASED, ET00-0029-04	29 SEP 2004	H. Y.	G. T.
A5		UPDATED, ET00-0012-05	12 JAN 2005	H. Y.	G. T.
B		ALIGN REV TO PROD. DWG, ECR-05-002336	27 APR 2005	H. Y.	G. T.



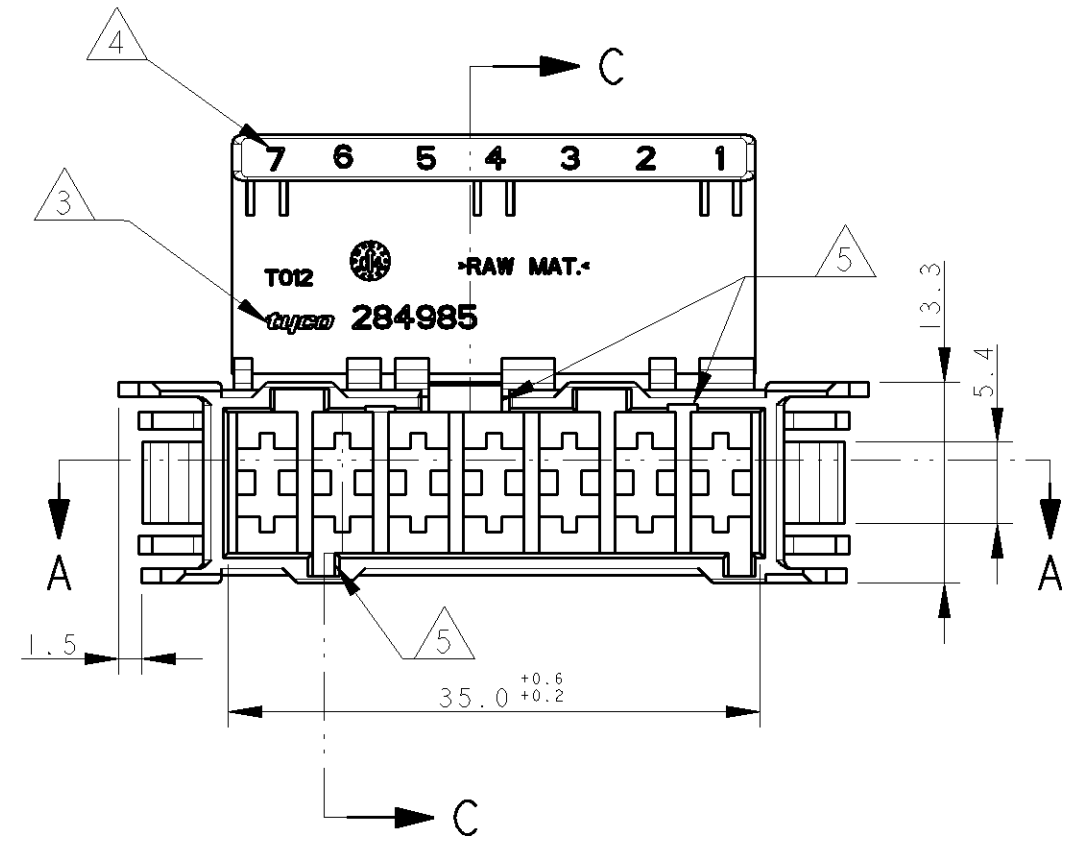
SCALE 1:1



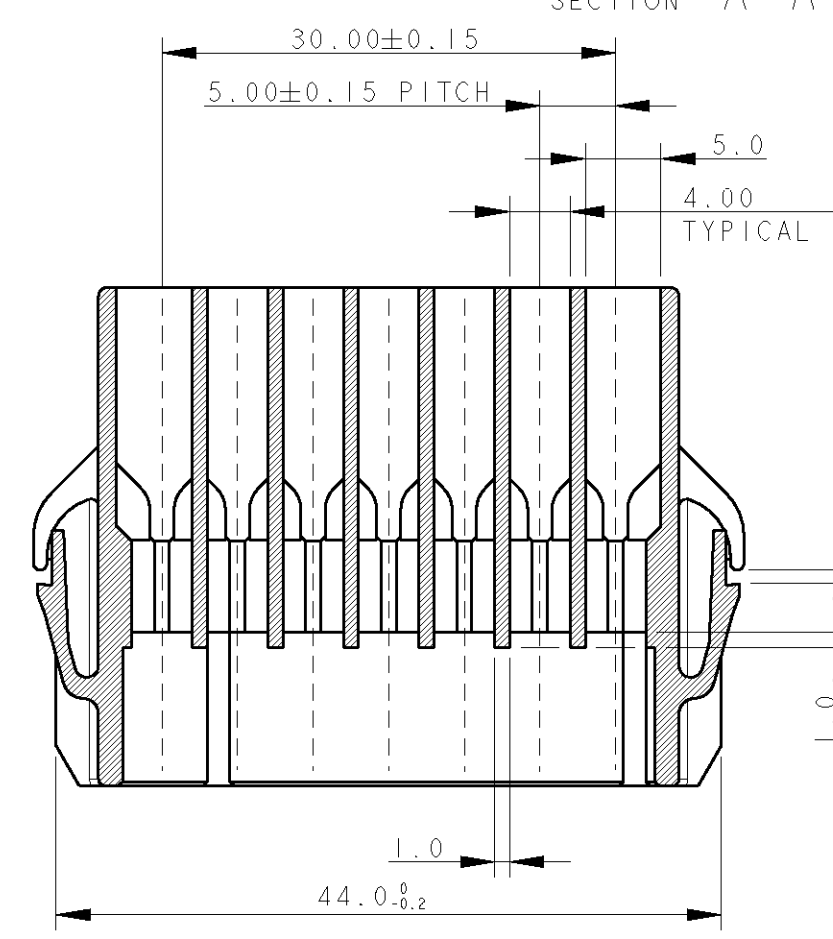
PANEL MOUNT DIMENSIONS  
SCALE 1:1



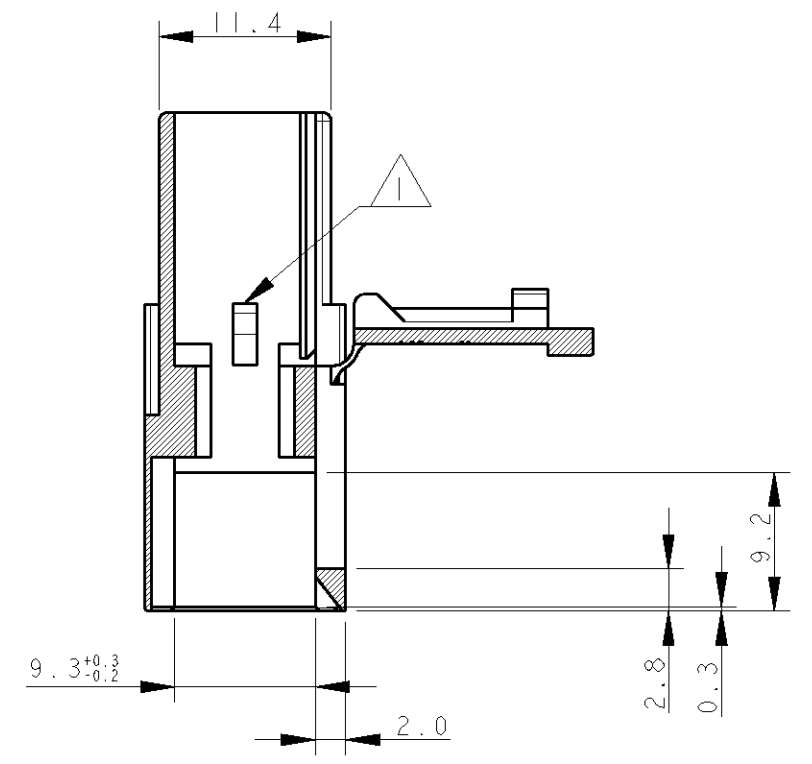
SECTION C-C



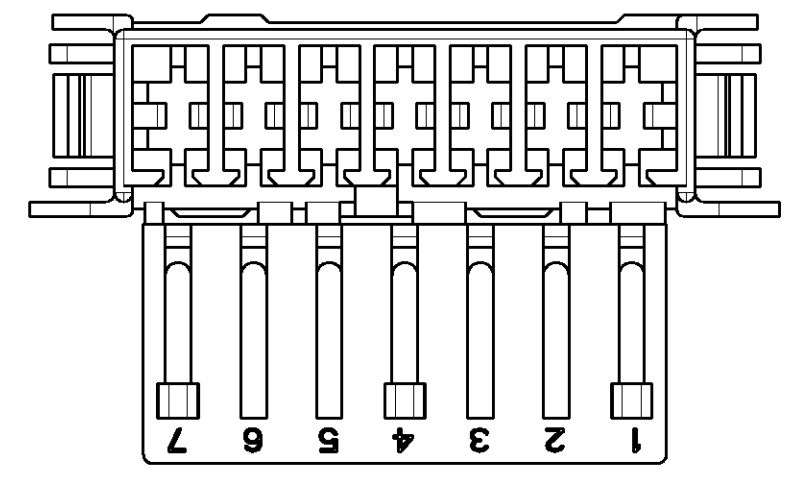
SECTION A-A



SECTION C-C



- ① TYPICAL CAVITY SUITABLE FOR:  
FASTIN-FASTON TAB CONTACTS 6.3 mm SRS:  
P/N: 60294, 0.3-0.8 mm<sup>2</sup> WIRE RANGE  
160691, 0.3-0.8 mm<sup>2</sup> WIRE RANGE  
AMPLIVAR CONTACTS:  
P/N: 141051, 0.1-0.5 mm<sup>2</sup> WIRE RANGE  
142411, 0.3-1.6 mm<sup>2</sup> WIRE RANGE  
MAX. INSULATION DIA. 2.8 mm.  
MAX. INSULATION CRIMP WIDTH 3.3 mm.
- ② PA6 UNFILLED, NATURE COLOUR  
ACCORDING TO IEC 60335-1 NORM.
- ③ TYCO TRADEMARK "LOGO" AND  
TYCO ELECTRONICS "PART NUMBER"  
OPTIONAL POSITION.
- ④ CIRCUIT IDENTIFICATION NUMBERS, 1 TO 7
- ⑤ POLARIZATION KEYS DIMENSIONS AND POSITIONS  
ARE ACCORDING TO "RAST 5" NORM  
RAST CODE 07-A/S
- ⑥ PACKAGED ACCORDING TO TYCO SPEC. 107-20248.



NATURALE (NATUR)	VEDI NOTA 2 (SEE NOTE 2)	284985-1	B
COLORE (COLOUR)	MATERIALE (MATERIAL)	NUMERO (TYCO P/N)	REV

THIS DRAWING IS A CONTROLLED DOCUMENT FOR TYCO ELECTRONICS CORPORATION IT IS SUBJECT TO CHANGE AND THE CONTROLLING ENGINEERING ORGANIZATION SHOULD BE CONTACTED FOR THE LATEST REVISION.		DWN H. YAALI	07 APRILE 2004	<b>tyco</b> tyco Electronics AMP Italia S.p.A. C.so F. Cervi, 15 COLLEGGNO (TO)	
DIMENSIONS: mm		CHK C. TARTARI	APVD -	NAME 7 POS. FASTIN-FASTON Connector TAB HOUSING, RAST 5 0.8-1.0 MM THK. PANEL MOUNT VERSION	
TOLERANCES UNLESS OTHERWISE SPECIFIED: 0 PLC ± 1 PLC ±0.3 2 PLC ± 3 PLC ± 4 PLC ± ANGLES ±° FINISH		PRODUCT SPEC 108-20256	APPLICATION SPEC -	SIZE A2	RESTRICTED TO -
MATERIAL SEE TABLE		WEIGHT 9.0 GR	CAGE CODE 00779	DRAWING NO. G-284985	SCALE 2:1
CUSTOMER DRAWING		SHEET 1 OF 1		REV B	