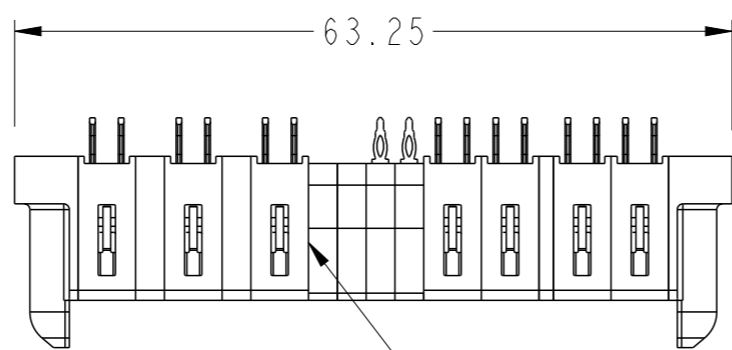
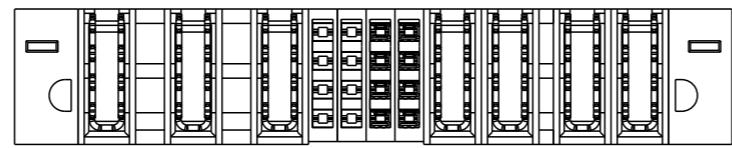
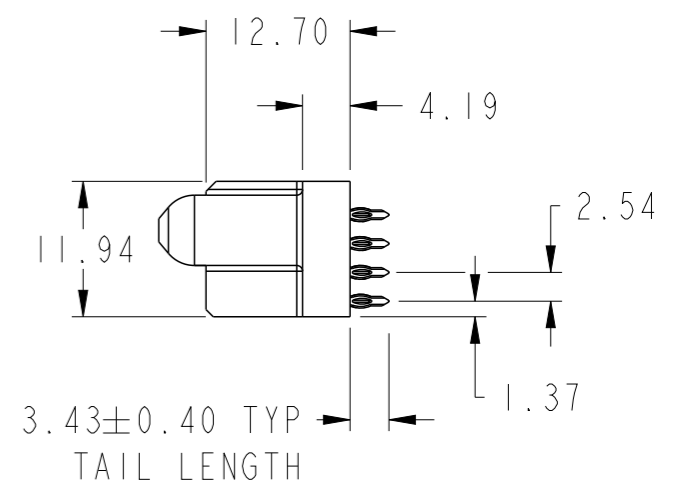
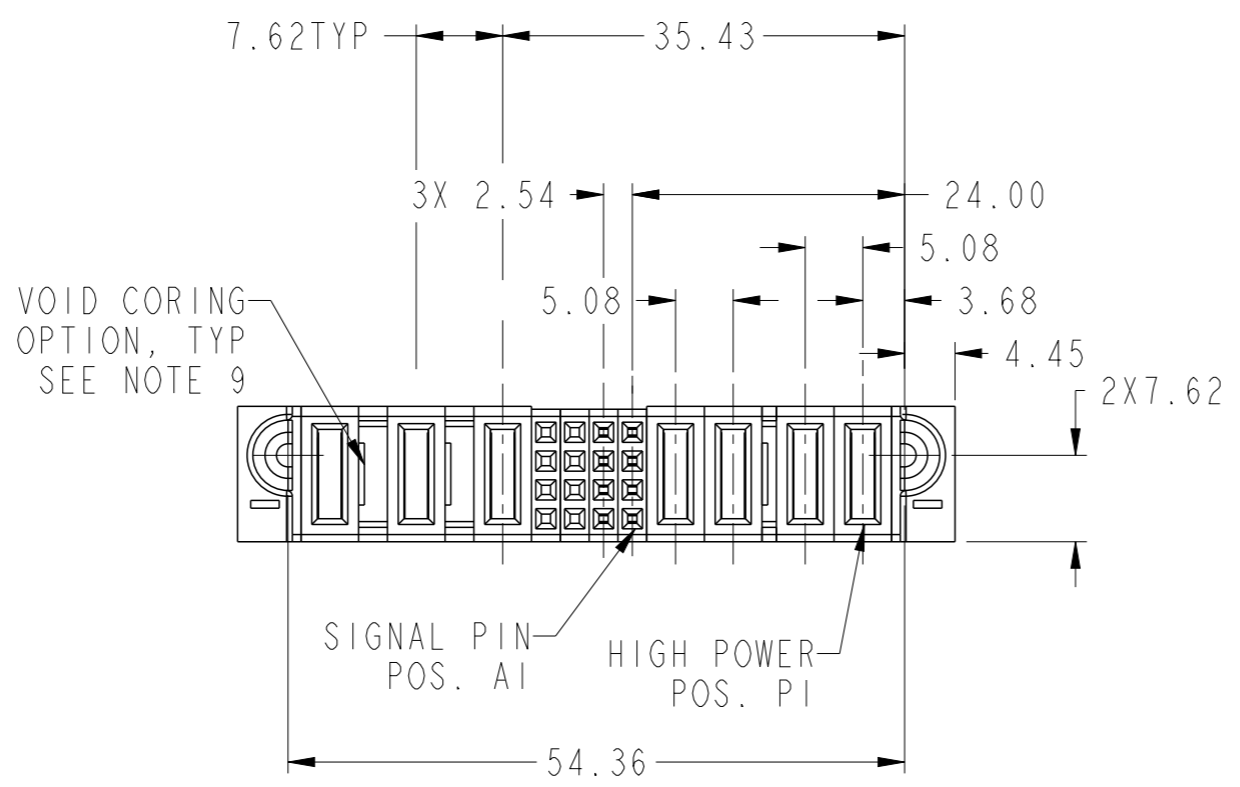


PRODUCT NUMBER SEE SHEET 2



NOTE 1

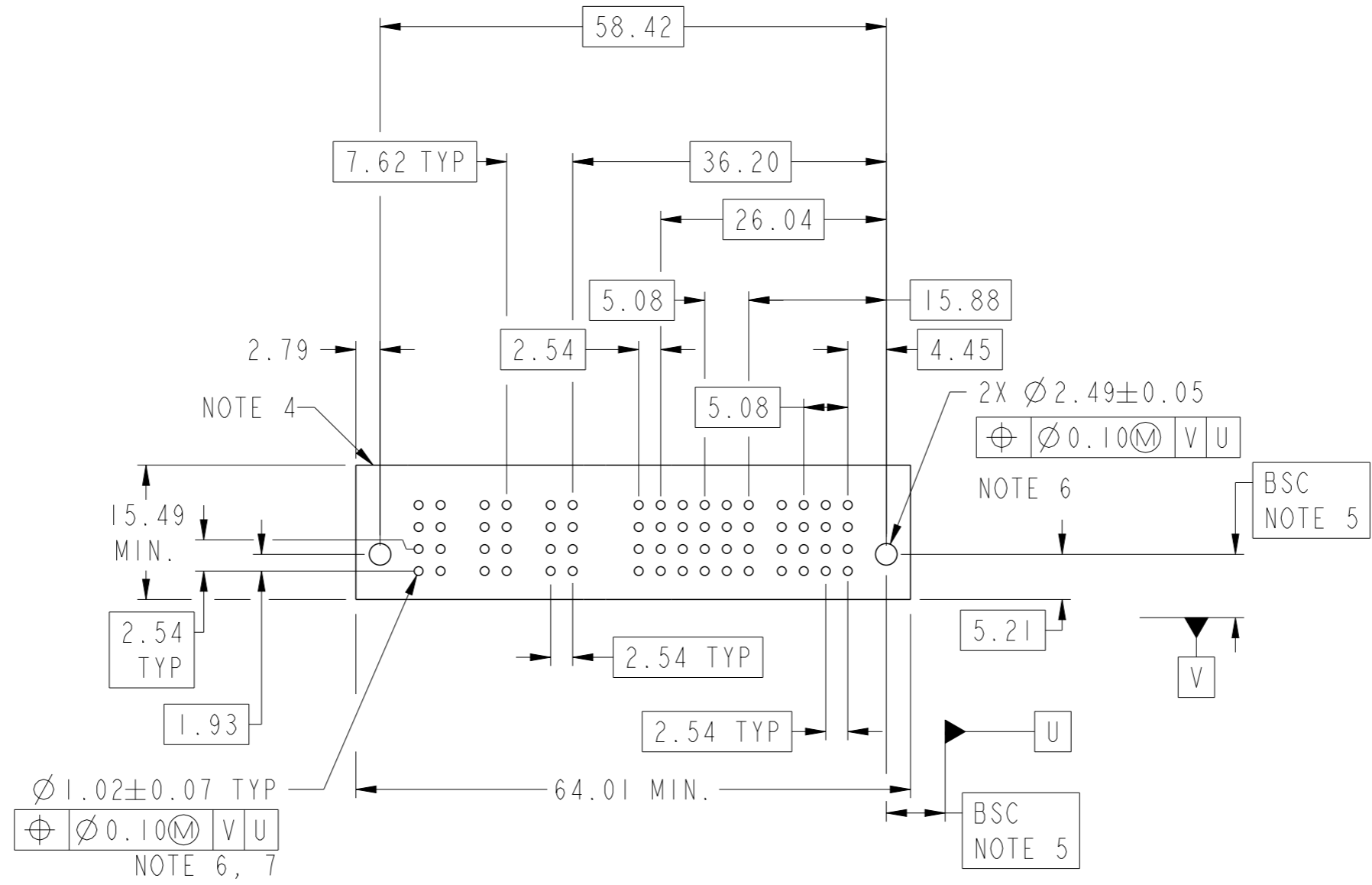


Copyright FCI.

spec ref		dr	Peng-Bing Fu	2012/12/13	projection	MM	size	A3	scale	3:2
tolerance std ASME Y14.5		TOLERANCES UNLESS OTHERWISE SPECIFIED			eng	Luo Weller	2013/03/13	ecn no		-
surface		linear	0.X	±0.50	chr	-	rel level		Released	
ASME Y14.5		angular	0°	±2°	appr	Pei-Ming Zheng	2013/03/13	product family		PowerBlade+
				www.fci.com		cat. no.		4P + 12S + 3ACP		rev
								VT PF RECEPTACLE		A
								Product - Customer Drw		sheet 1 of 3
								10106269-7004001		

PRODUCT NO.	ROWS	HP		SIGNAL				HP				E2	
		E1	P7	P6	P5	4	3	2	1	P4	P3		P2
10106269-7004001LF	DCBA	HD	HG	HG	X	X	X	F	F	HG	HG	HD	HD

CODE	DESCRIPTION
F	STD SIGNAL CONTACT
HD	MFBL HIGH POWER CONTACT (3.43)
HG	STD HIGH POWER CONTACT (3.43)
X	OMMITE



dr	Peng-Bing Fu	2012/12/13	projection	MM	size	A3	scale	3:2
eng	Luo Weller	2013/03/13			ecn no			
chr	-	-			-			
appr	Pei-Ming Zheng	2013/03/13	product family	PowerBlade+	rel level			
			4P + 12S + 3ACP		dwg no		10106269-7004001	
www.fci.com			VT PF RECEPTACLE		rev		A	
cat. no.			Product - Customer Drw			sheet 2 of 3		

Copyright FCI.

A

B

C

D

A

B

C

D

NOTES:

- 1) "FCI", PART NUMBER AND DATE CODE TO BE MARKED ON THIS SURFACE.
THE MARK CAN BE OMITTED IF THERE IS NOT ENOUGH SPACE ON THIS SURFACE.
- 2) MATERIALS:
-HOUSING - GLASS FILLED WITH HIGH TEMP THERMOPLASTIC, UL94V-0.
-SIGNAL CONTACT - COPPER ALLOY.
-POWER CONTACT - HIGH CONDUCTIVITY COPPER ALLOY.
- 3) PLATING SPECIFICATION REFER TO FCI 10116351
- 4) DENOTES CONNECTOR KEEP OUT ZONE.
- 5) DATUM AND BASIC DIMENSIONS WERE ESTABLISHED BY CUSTOMER.
- 6) ALL HOLE DIAMETERS ARE FINISHED HOLE SIZES.
- 7) 1.15 ± 0.025MM DRILLED HOLE PLATED WITH 0.00762MM MIN Sn
OVER 0.0254-0.0762MM Cu PLATING TO ACHIEVE A 1.02 ± 0.07MM HOLE.
- 8) PRODUCT SPECIFICATION REFER TO FCI GS-12-658.
APPLICATION SPECIFICATION REFER TO FCI GS-20-141.
PRODUCT PACKAGED IN TRAYS, REFER TO FCI GS-14-1502.
- 9) THE VOID CORING IN BETWEEN POWER MODULES, SIGNAL
MODULES AND END MODULES ARE OPTIONAL AND THE SHAPE
MAY BE DIFFERENT FOR OPTIMIZE THE MOLDING PROCESS. THE
VOID CORING WILL NOT EFFECT TO PRODUCT FUNCTION.



Copyright FCI.

dr	Peng-Bing Fu	2012/12/13	projection 	MM ←→	size	A3	scale	1:1
eng	Luo Weller	2013/03/13			ecn no	-		
chr	-	-			rel level	Released		
appr	Pei-Ming Zheng	2013/03/13	product family	PowerBlade+				
		4P + 12S + 3ACP		dwg no	10106269-7004001		rev	A
www.fci.com		cat. no.	Product - Customer Drw		sheet 3 of 3			