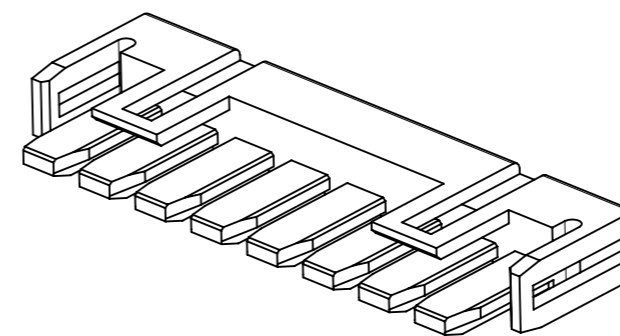
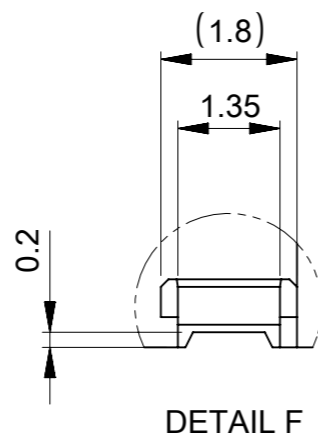


7極以下品形状  
SHAPE OF UNDER 7CIRCUIT

12.5	38.1	35	39.3	511641505	15
12.5	35.6	32.5	36.8	511641405	14
12.5	33.1	30	34.3	511641305	13
12.5	30.6	27.5	31.8	511641205	12
12.5	28.1	25	29.3	511641105	11
12.5	25.6	22.5	26.8	511641005	10
12.5	23.1	20	24.3	511640905	9
12.5	20.6	17.5	21.8	511640805	8
-	18.1	15	19.3	511640705	7
-	15.6	12.5	16.8	511640605	6
-	13.1	10	14.3	511640505	5
-	10.6	7.5	11.8	511640405	4
-	8.1	5	9.3	511640305	3
-	5.6	2.5	6.8	511640205	2
D	C	(B)	(A)	発注番号 ORDER No.	極数 CIRCUIT SIZE



NOTE

- ① 材料：TABLE1参照  
MATERIAL:SEE TABLE1
- ② 適合ハウジング,嵌合相手,関連ドキュメントについてはSHEET 2 を御参照下さい。  
PLEASE REFER TO SHEET 2 FOR APPLICABLE HOUSING, MATING PARTNER AND RELATED DOCUMENTS.
- ③ 偶数極に適合。  
APPLY FOR EVEN CIRCUIT.
- ④ 8~15極品に適合  
APPLY 8~15 CIRCUIT PRODUCTS.

① TABLE1

部品 PART	材質 MATERIAL
リテーナー RETAINER	ポリエステル(PBT):ガラス含有, UL94V-0, 色:グレー POLYESTER(PBT):GLASS-FILED, UL94V-0, COLOR:GRAY

DOCUMENT STATUS	P1	RELEASE DATE	2020/09/28	04:28:59
-----------------	----	--------------	------------	----------

THIS DRAWING CONTAINS INFORMATION THAT IS PROPRIETARY TO MOLEX ELECTRONIC TECHNOLOGIES, LLC AND SHOULD NOT BE USED WITHOUT WRITTEN PERMISSION		CURRENT REV DESC: RELEASED		<b>molex</b>	
DIMENSION UNITS	SCALE				
mm	NTS			MINI-LOCK 2.5 SINGLE ROW RETAINER	
GENERAL TOLERANCES (UNLESS SPECIFIED)				PRODUCT CUSTOMER DRAWING	
ANGULAR TOL	± 3.0 °			DOCUMENT NUMBER	
4 PLACES	± 0.2	EC NO: 646034		511640000-SD	
3 PLACES	± 0.2	DRWN: RWATANABE01 2019/04/22		DOC TYPE	
2 PLACES	± 0.2	CHK'D: AIDA 2020/09/28		PSD	
1 PLACE	± 0.2	APPR: SAKIYAMA 2020/09/28		DOC PART	
0 PLACES	± 0.2	INITIAL REVISION:		000	
DRAFT WHERE APPLICABLE MUST REMAIN WITHIN DIMENSIONS		DRWN: RWATANABE01 2019/04/22		REVISION	
THIRD ANGLE PROJECTION		APPR: SAKIYAMA 2020/09/28		A	
DRAWING		SERIES		SHEET NUMBER	
A3-SIZE		51164		1 OF 2	
MATERIAL NUMBER		CUSTOMER			
GENERAL					

△ 2 適合製品及び各種仕様書  
**APPLICABLE PRODUCTS AND VARIOUS SPECIFICATIONS**

梱包仕様書 PACKAGING SPECIFICATION	PART NUMBER	SPECIFICATION NUMBER
	51164**05	511649200-SPK PS 200

適合端子 APPLICABLE TERMINAL	PART NUMBER	PLATING TYPE	WIRE SIZE(AWG)
	507528200	TIN	#20-#22
	507528400	TIN	#24-#26

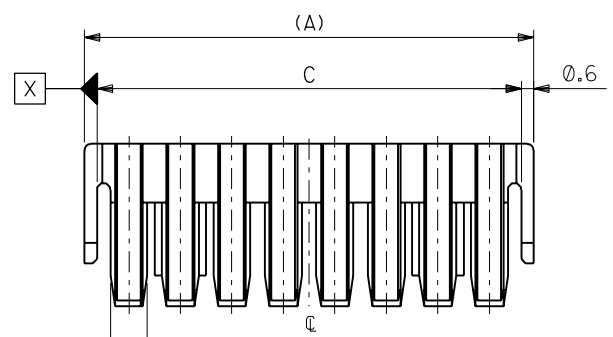
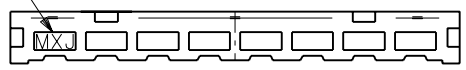
適合ハウジング APPLICABLE HOUSING	51163		
シリーズ番号 SERIES No.			
適合嵌合相手 MATE WITH	THROUGH HOLE		
	VERTICAL	VERTICAL (FOR POTTING)	RIGHT ANGLE
	TIN PLATING		TIN PLATING
シリーズ番号 SERIES No.	53375	53517	53426
製品仕様書 PRODUCT SPECIFICATION	511630000-PS PS 000		
取扱説明書 APPLICATION SPECIFICATION	2166940000-AS PS 000		

製品嵌合図は各"適合嵌合相手"図面参照のこと  
 MATING VIEW : REFER TO EACH "MATE WITH" PART DRAWING.

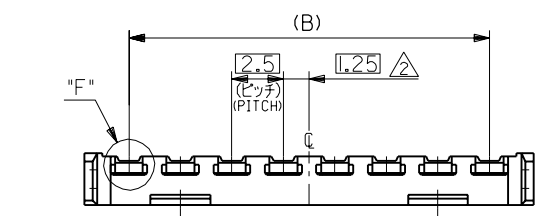
THIS DRAWING CONTAINS INFORMATION THAT IS PROPRIETARY TO MOLEX ELECTRONIC TECHNOLOGIES, LLC AND SHOULD NOT BE USED WITHOUT WRITTEN PERMISSION									
DIMENSION UNITS	SCALE	CURRENT REV DESC: RELEASED				molex			
mm	NTS					MINI-LOCK 2.5 SINGLE ROW RETAINER			
GENERAL TOLERANCES (UNLESS SPECIFIED)		EC NO: 646034 DRWN: RWATANABE01 2019/04/22 CHK'D: AIDA 2020/09/28 APPR: SAKIYAMA 2020/09/28 INITIAL REVISION: DRWN: RWATANABE01 2019/04/22 APPR: SAKIYAMA 2020/09/28				PRODUCT CUSTOMER DRAWING			
ANGULAR TOL	± 3.0 °					DOCUMENT NUMBER <b>511640000-SD</b> DOC TYPE PSD DOC PART 000 REVISION A			
4 PLACES	± 0.2								
3 PLACES	± 0.2								
2 PLACES	± 0.2								
1 PLACE	± 0.2	MATERIAL NUMBER <b>51164</b> CUSTOMER GENERAL SHEET NUMBER 2 OF 2							
0 PLACES	± 0.2								
DRAFT WHERE APPLICABLE MUST REMAIN WITHIN DIMENSIONS		THIRD ANGLE PROJECTION	DRAWING	SERIES	MATERIAL NUMBER		CUSTOMER		SHEET NUMBER
			A3-SIZE	51164			GENERAL		2 OF 2

DWG. NO.  
SD-51164-\*\*-05

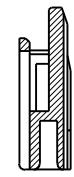
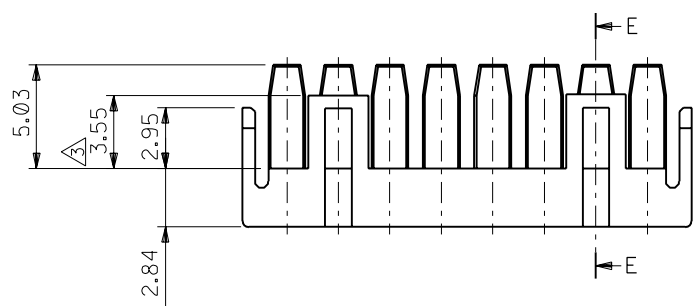
トレードマーク  
TRADE MARK



⊕ 0.3 X 1.8



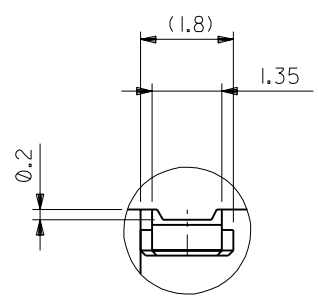
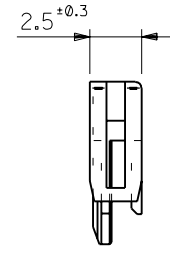
⊕ 0.3 X



断面 E-E  
SECT. E-E  
(8極以上)  
(OVER 8CKT.)



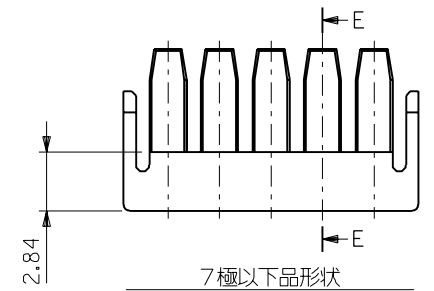
断面 E-E  
SECT. E-E  
(7極以下)  
(UNDER 7CKT.)



拡大図 "F"  
DETAIL F

注記 NOTES

1. 適合ターミナル : 50752-8\*00  
APPLICABLE TERMINAL : 50752-8\*00  
適合ハウジング : 51163-\*\*-00  
APPLICABLE HOUSING : 51163-\*\*-00
2. 偶数極の製品に適用。  
APPLY EVEN CIRCUIT PRODUCTS.
3. 8~15極品に適用。  
APPLY 8~15 CKT PRODUCTS.



7極以下品形状  
SHAPE OF UNDER 7CKT.

12.5	38.1	35	39.3	51164-1505	15
↑	35.6	32.5	36.8	↑ -1405	14
	33.1	30	34.3	↑ -1305	13
	30.6	27.5	31.8	↑ -1205	12
	28.1	25	29.3	↑ -1105	11
	25.6	22.5	26.8	↑ -1005	10
	23.1	20	24.3	↑ -0905	9
↓	20.6	17.5	21.8	↓ -0805	8
	18.1	15	19.3	↓ -0705	7
	15.6	12.5	16.8	↓ -0605	6
	13.1	10	14.3	↓ -0505	5
	10.6	7.5	11.8	↓ -0405	4
	8.1	5	9.3	↓ -0305	3
	5.6	2.5	6.8	↓ 51164-0205	2
D	C	(B)	(A)	ENG. NO.	極数 NO. OF CKT.

角度 ANGLE	±3°				
30 以上 OVER	+0.3				
10 以上 OVER	+0.25				
30 未満 UNDER					
10 未満 UNDER	+0.2				
一般公差 GENERAL TOLERANCES	LTR	変更内容 REVISION RECORD	DR. CHK.	日付 DATE	尺度 SCALE
	0	新規作成 (JC80469)	S.A.T.	'97/11/27	4 : 1

材料 MATERIAL PBTP, UL94V-0 (灰色 GRAY)

仕上げ FINISH —

適用電線範囲 WIRE RANGE —

被覆外径 INS. RANGE —

DRAWN BY '97/11/26 S.AIHARA  
CHK'D BY '97/11/27 T.ITO

APP'D BY '97/11/27 M.FUKUSHIMA

molex MOLEX-JAPAN CO.,LTD.  
日本モレックス株式会社

REVISE ONLY ON CAD SYSTEM

TITLE 名称 2.5 WIRE TO BOARD CONN. RETAINER

DWG. NO. SD-51164-\*\*-05

REV 0