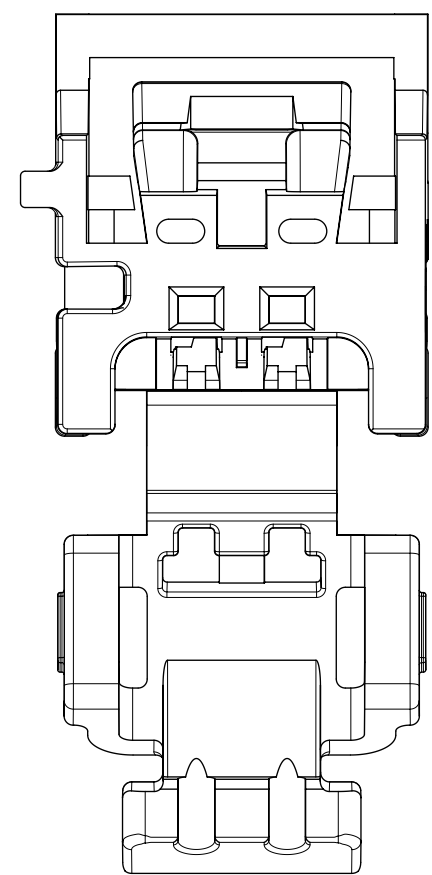
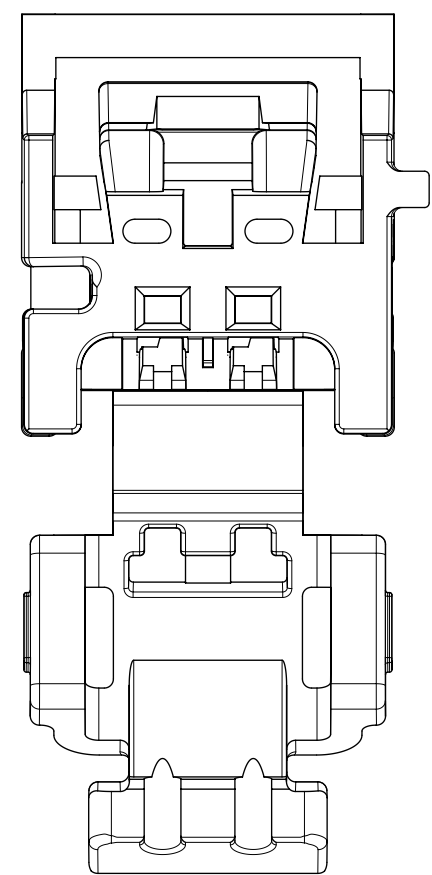


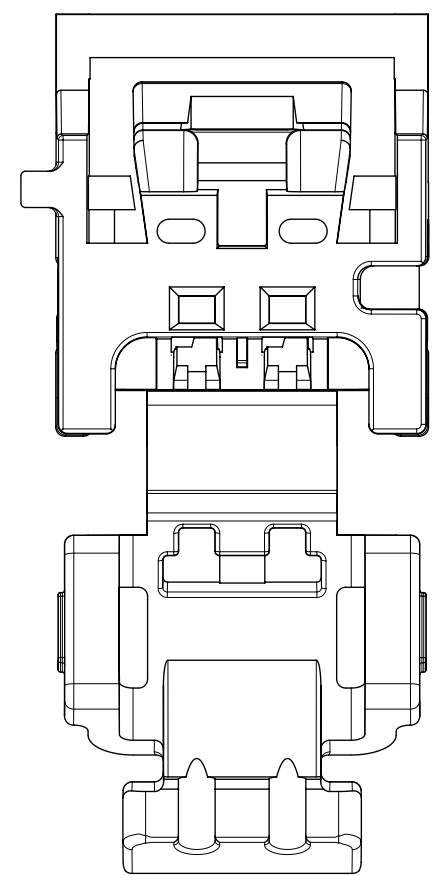
2 CIRCUIT RECEPTACLE WITH LOCK BRIDGE  
POLARIZATION OPTION A



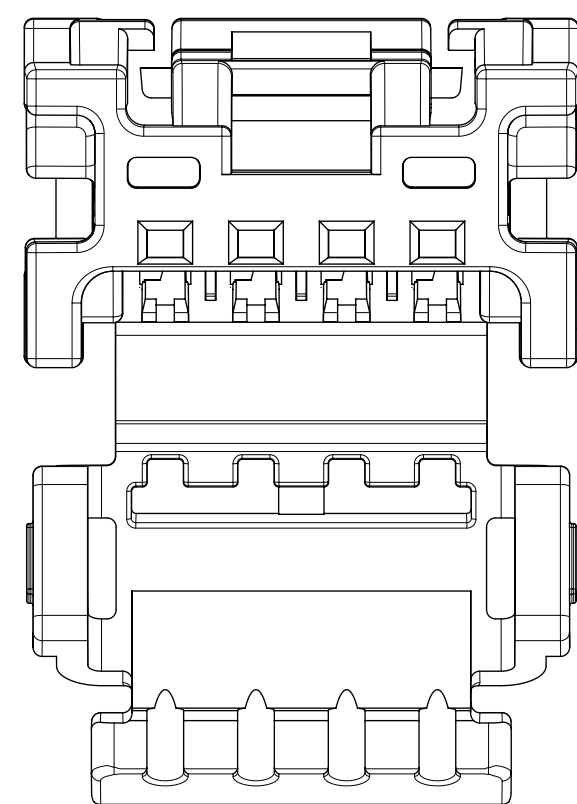
2 CIRCUIT RECEPTACLE WITH LOCK BRIDGE  
POLARIZATION OPTION B



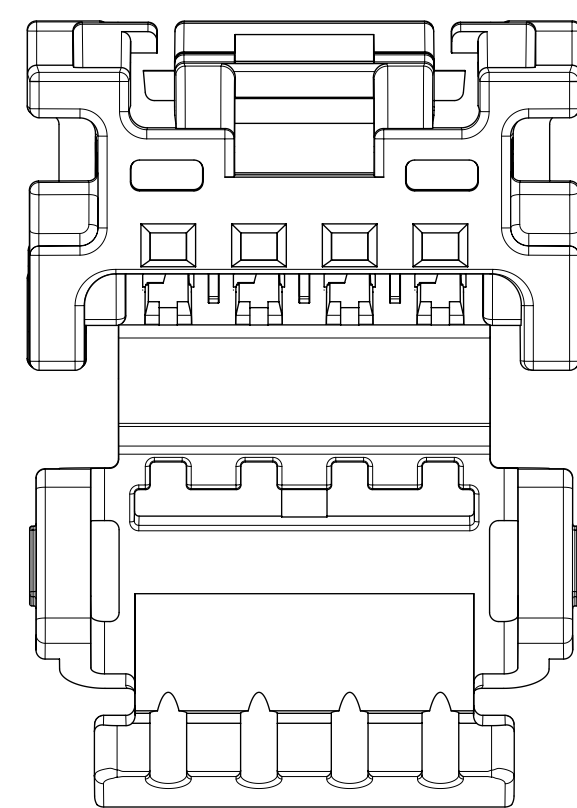
2 CIRCUIT RECEPTACLE WITH LOCK BRIDGE  
POLARIZATION OPTION C



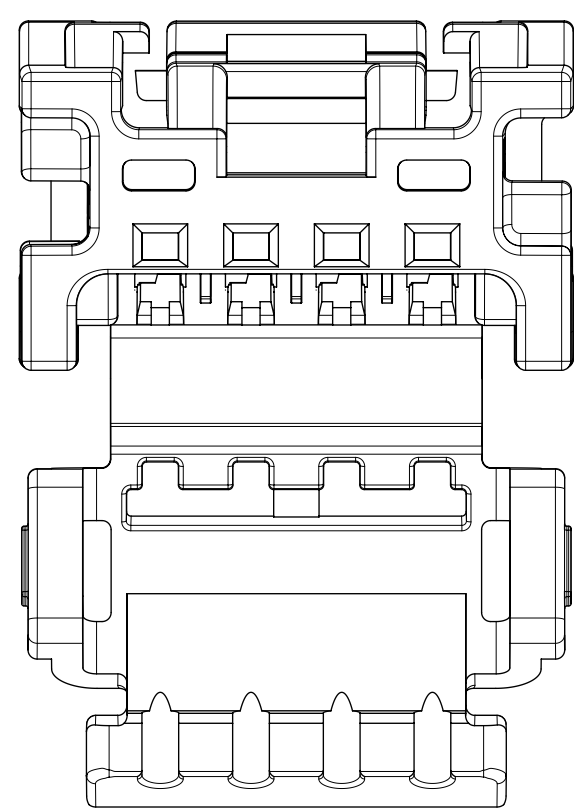
2 CIRCUIT RECEPTACLE WITH LOCK BRIDGE  
POLARIZATION OPTION D



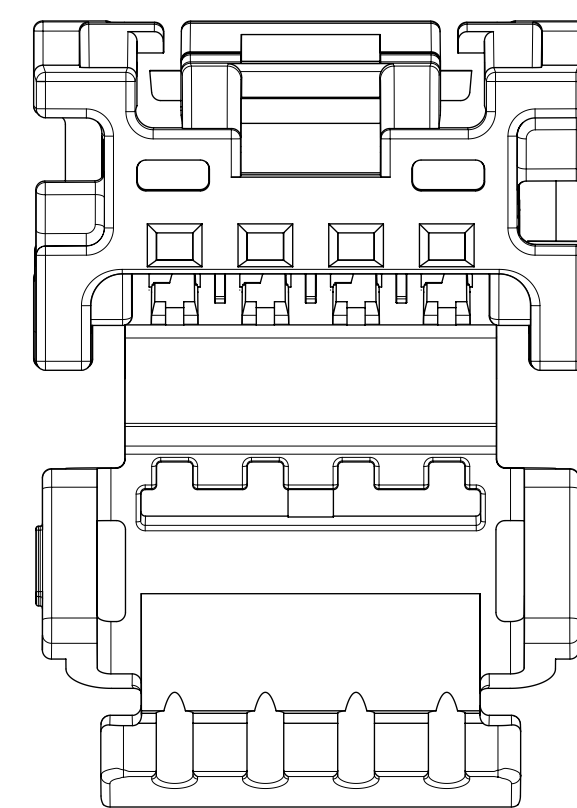
4 CIRCUIT RECEPTACLE WITHOUT LOCK BRIDGE  
POLARIZATION OPTION A



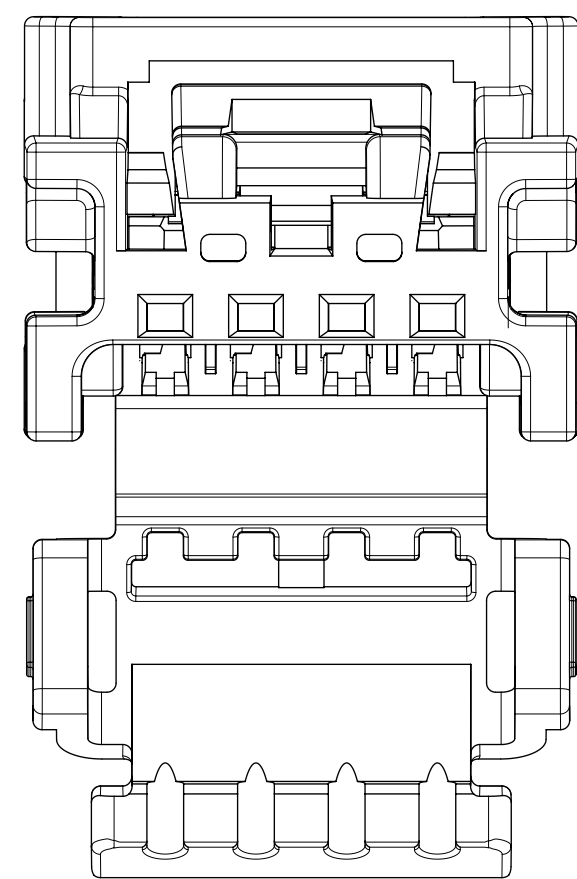
4 CIRCUIT RECEPTACLE WITHOUT LOCK BRIDGE  
POLARIZATION OPTION B



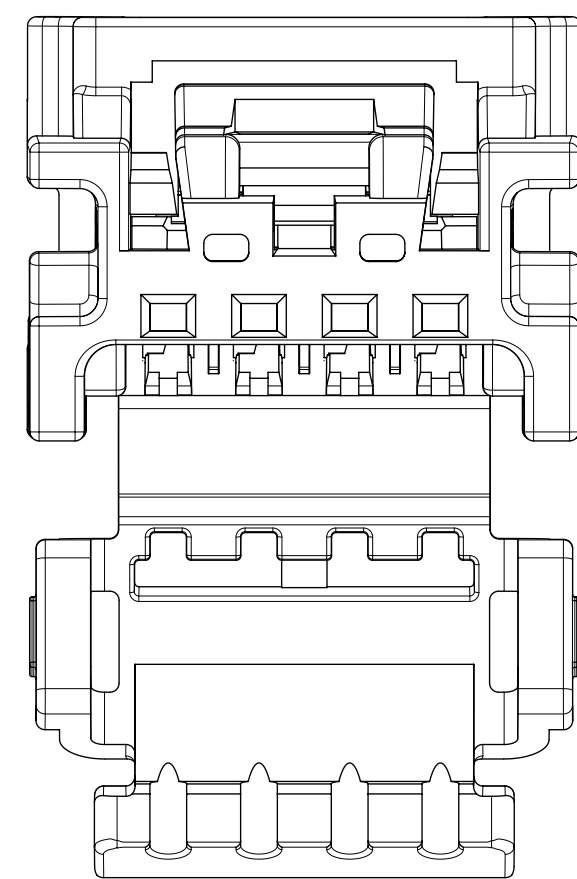
4 CIRCUIT RECEPTACLE WITHOUT LOCK BRIDGE  
POLARIZATION OPTION C



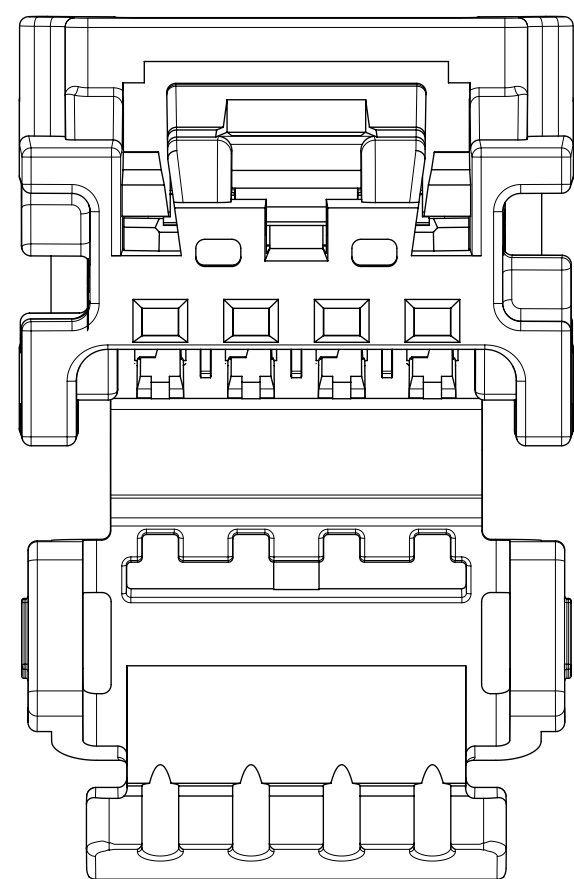
4 CIRCUIT RECEPTACLE WITHOUT LOCK BRIDGE  
POLARIZATION OPTION D



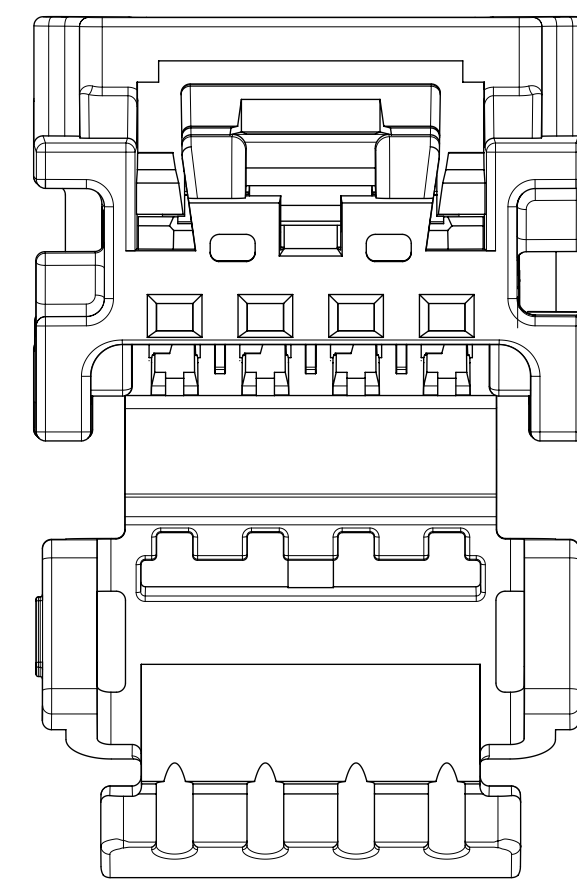
4 CIRCUIT RECEPTACLE BRIDGED  
POLARIZATION OPTION A



4 CIRCUIT RECEPTACLE BRIDGED  
POLARIZATION OPTION B



4 CIRCUIT RECEPTACLE BRIDGED  
POLARIZATION OPTION C



4 CIRCUIT RECEPTACLE BRIDGED  
POLARIZATION OPTION D

NOTES: VALID UNLESS OTHERWISE SPECIFIED

1. GENERAL:
  - a. APPLICATION SPECIFICATION SEE: AS-34791-020
  - b. PRODUCT SPECIFICATION SEE: PS-34971-020
  - c. PACKAGING SPECIFICATION PER MOLEX DRAWING: PK-31301-538
  - d. PARTS MUST BE IN COMPLIANCE TO MOLEX CHEMICAL SUBSTANCES FOR PRODUCTS AND PACKAGING SPECIFICATION: QEHS-699000-301
  - e. DATA MUST BE SUBMITTED UNDER THE MOLEX PART NUMBER TO IMDS (COMPANY ID#13255)
  - f. FLAMMABILITY REQUIREMENT: PER ISO3795 OR GM3191
    1. BURN RATE 100 mm/MIN MAXIMUM
    2. MATERIAL MUST BE SELF EXTINGUISHING
  - g. VISUAL DEFECTS SHALL MEET COSMETIC STANDARD PS-45499-002 (Class B)
  - h. FOR TERMINAL USAGE, REFER TO MOLEX SALES DRAWING SD-560023-002.
2. DESIGN - MATERIALS:
  - a. MATERIAL: UNFILLED PBT
3. DESIGN - GEOMETRY:
  - a. THIS IS A 100% CAD GENERATED PART. THE CAD MATHEMATICAL DATA IS THE MASTER FOR THIS PART. FOR DIMENSIONAL OR ANY INFORMATION NOT SHOWN ON THIS DRAWING, ANALYZE THE CAD MODEL.
  - b. GEOMETRIC DIMENSIONS AND TOLERANCES PER ASME Y14.5M - 1994
  - c. GENERAL TOLERANCES:
    - LINEAR: PER DIN 16901 CODE B FOR PRECISION ENGINEERING
    - ANGULAR: ±3°
  - d. EDGES AND UNDIMENSIONED DETAILS PER ISO13715
  - e. CORNERS SHOWN AS SHARP TO BE R 0.2 MAX
  - f. LETTERING SHALL BE 0.1 MAX RAISED IN 0.15 MAX RECESS PAD AND NOT PROTRUDE THE SURFACE. THIS INCLUDES RECYCLING CODE, PLANT AND CAVITY ID, VENDOR ID, CIRCUIT ID, AND PART SERIES NUMBER.
4. DESIGN - FUNCTIONALITY
  - a. HINGE DOES NOT AFFECT FUNCTION OF THE PART.

INSPECTION BALLON NUMBER LOG

PER DRAWING REVISION: L2

LAST BALLOON USED: 16

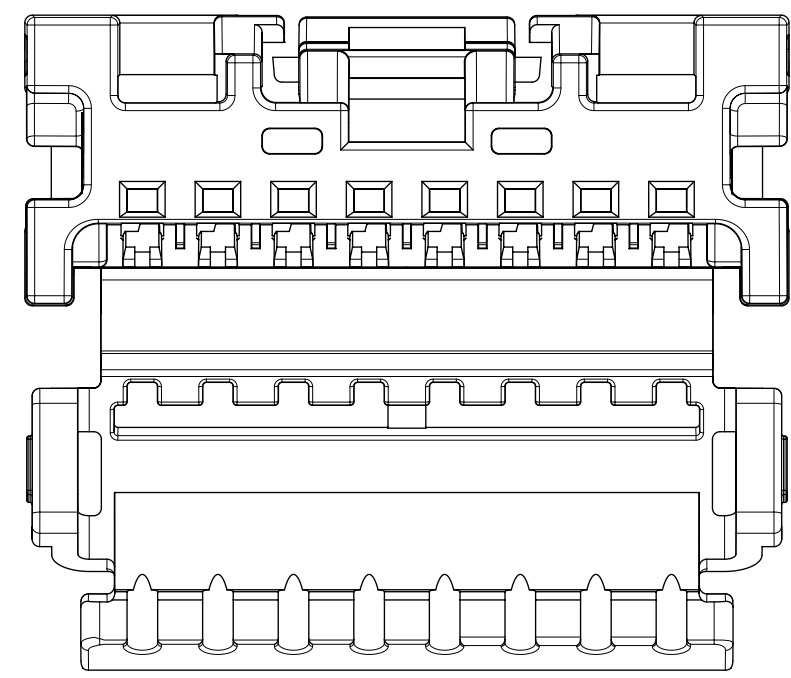
ADDED BALLOON NUMBERS:

REMOVED BALLOON NUMBERS:

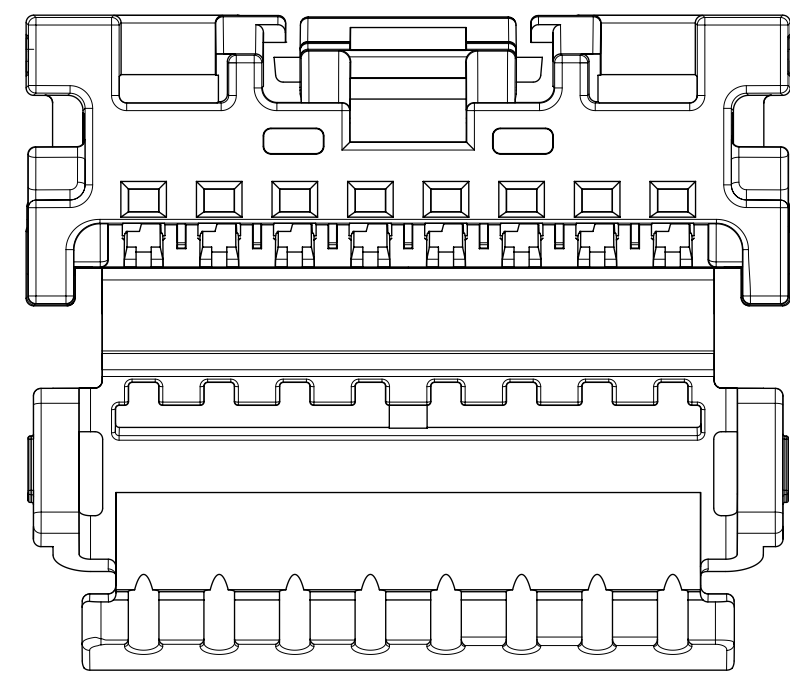
REV	DESCRIPTION
L2	NX REMASTERING

THIS DRAWING CONTAINS INFORMATION THAT IS PROPRIETARY TO MOLEX ELECTRONIC TECHNOLOGIES, LLC AND SHOULD NOT BE USED WITHOUT WRITTEN PERMISSION

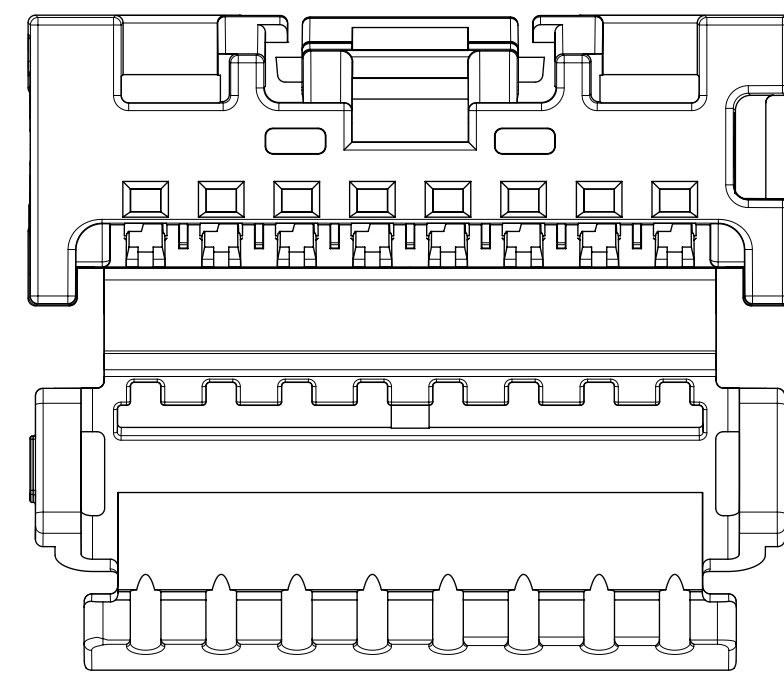
EC NO: 608500 DRWN: JOYA CHKD: JDUNAJ REV APPR: JDUNAJ	2018/11/29	GENERAL TOLERANCES (UNLESS SPECIFIED) ANGULAR TOL ± ° 4 PLACES ± 3 PLACES ± 2 PLACES ± 1 PLACE ± 0 PLACES ± DRAFT WHERE APPLICABLE MUST REMAIN WITHIN DIMENSIONS	DIMENSION UNITS	SCALE	
	2018/12/03		MM ONLY	6:1	
	2018/12/03		DRWN BY	DATE	
			JDUNAJ	2010/06/24	
			CHKD BY	DATE	
	BDICK	2010/06/24			
	APPR BY	DATE			
	SMARCEAU	2011/11/21			
	DRAWING SIZE	THIRD ANGLE PROJECTION			
	D				
			SERIES	MATERIAL NUMBER	CUSTOMER
			34791	SEE TABLE	GENERAL MARKET
			DOCUMENT NUMBER	DOC TYPE	DOC PART
			SD-34791-001	PSD	000
				DOC PART	SHEET NUMBER
					1 OF 5



8 CIRCUIT RECEPTACLE WITHOUT LOCK BRIDGE  
POLARIZATION OPTION A

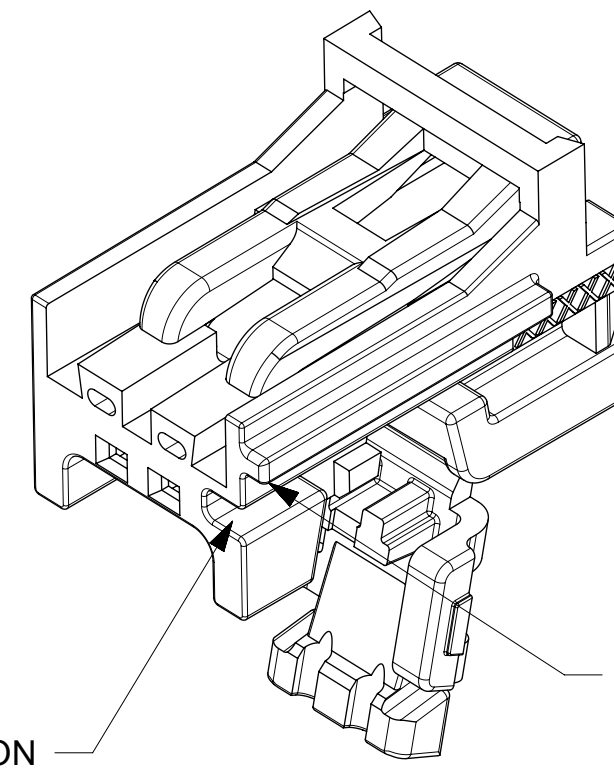


8 CIRCUIT RECEPTACLE WITHOUT LOCK BRIDGE  
POLARIZATION OPTION B



8 CIRCUIT RECEPTACLE WITHOUT LOCK BRIDGE  
POLARIZATION OPTION C

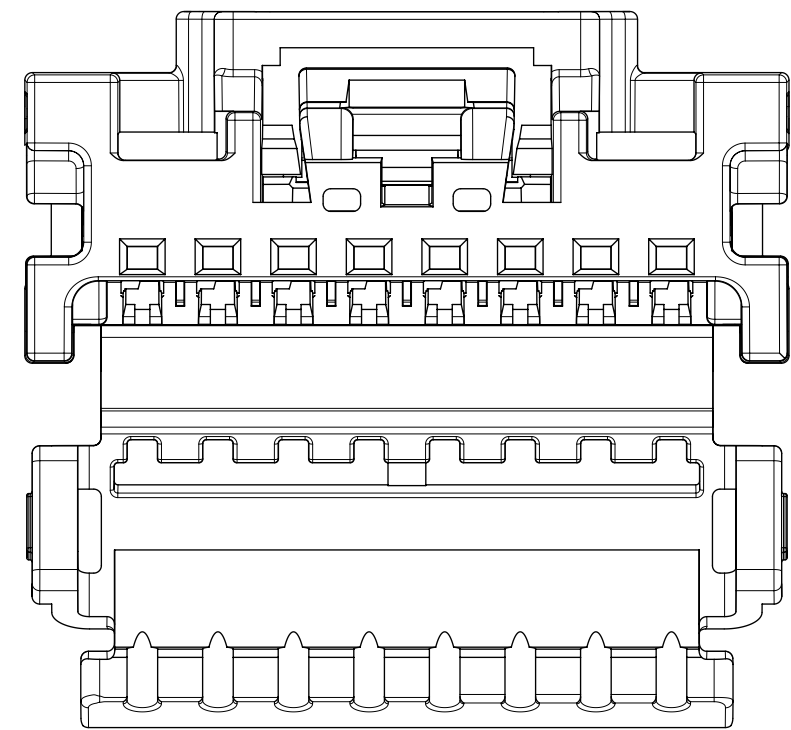
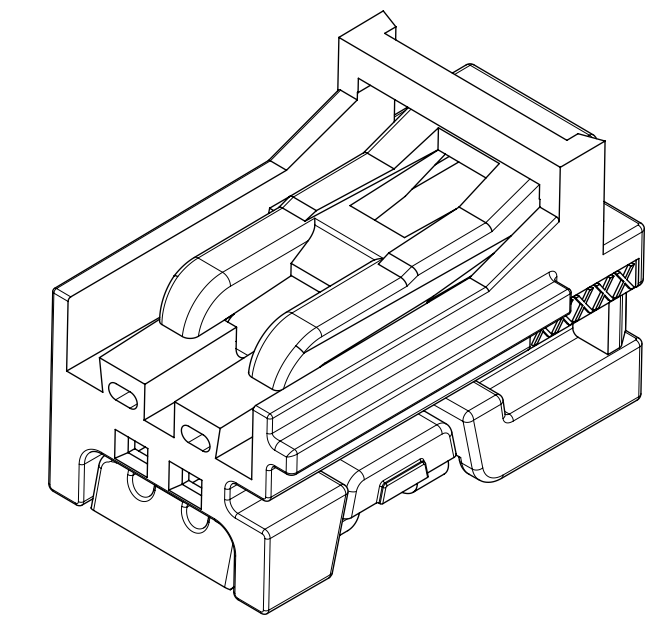
HINGE OPEN  
2 CIRCUIT RECEPTACLE SHOWN  
(AS SHIPPED)



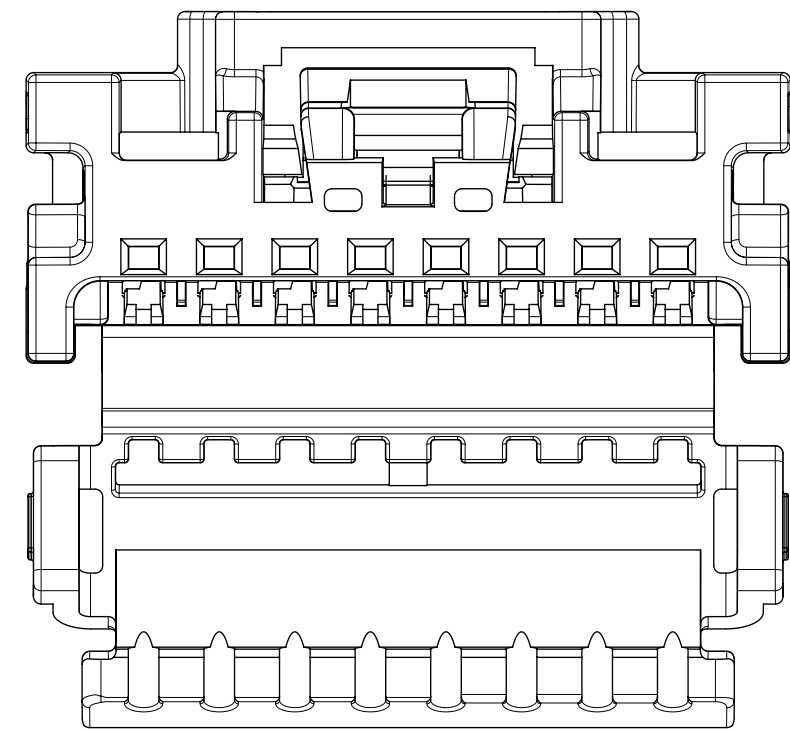
POLARIZATION  
FEATURE  
LOCATION

POLARIZATION  
FEATURE  
LOCATION

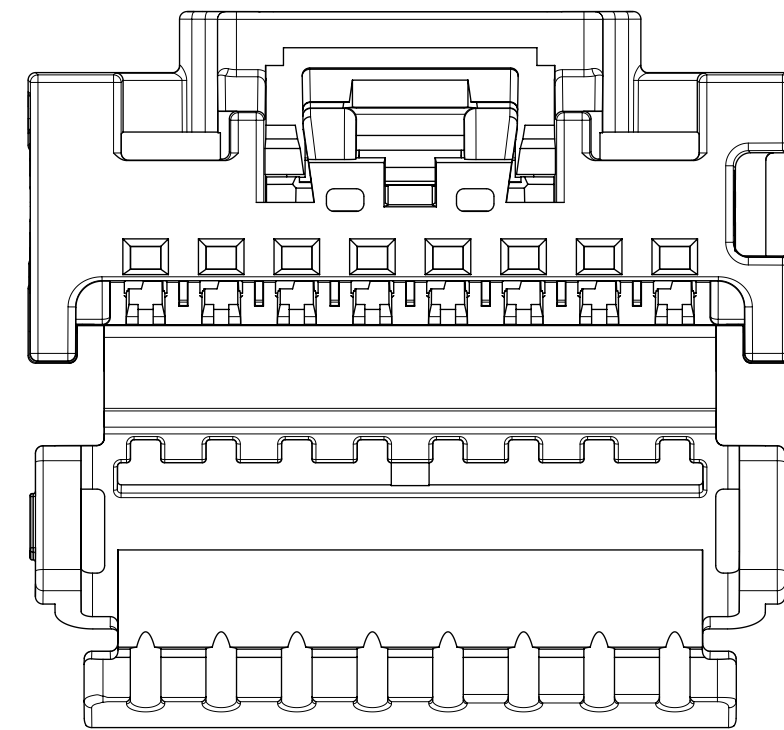
HINGE CLOSED  
2 CIRCUIT RECEPTACLE SHOWN  
(AS ASSEMBLED)



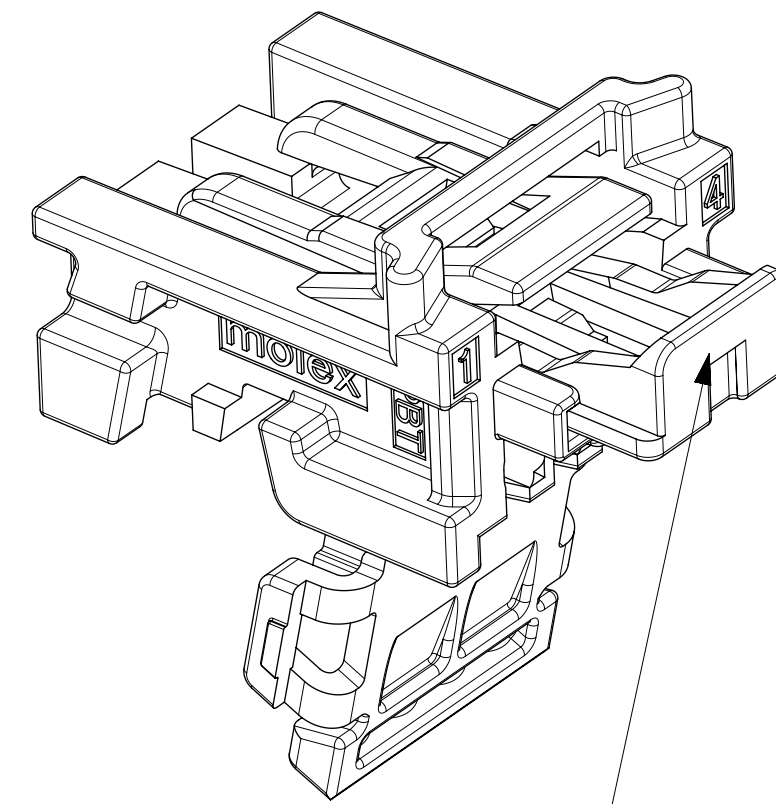
8 CIRCUIT RECEPTACLE BRIDGED  
POLARIZATION OPTION A



8 CIRCUIT RECEPTACLE BRIDGED  
POLARIZATION OPTION B



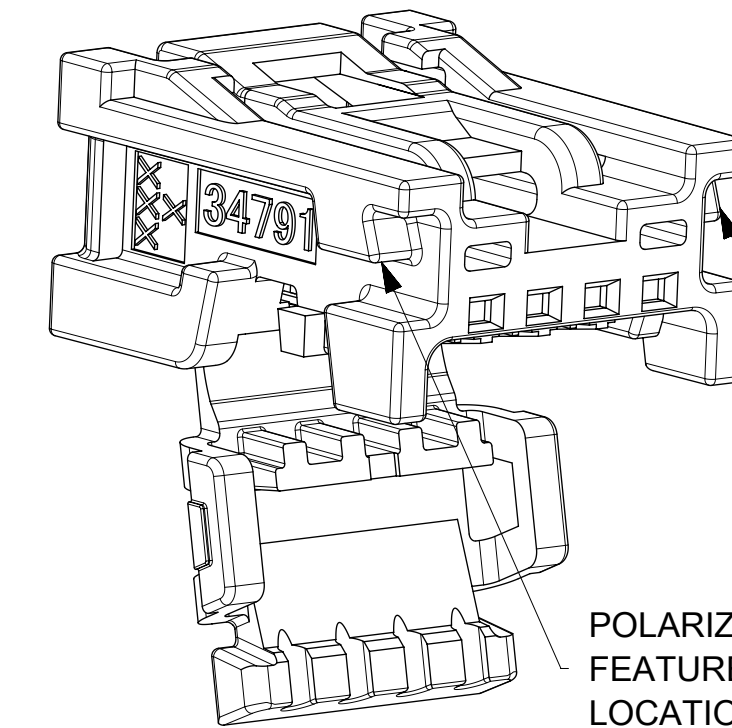
8 CIRCUIT RECEPTACLE BRIDGED  
POLARIZATION OPTION C



MINI50 WITH BRIDGE OPTION  
COMES WITH CPA TRAY

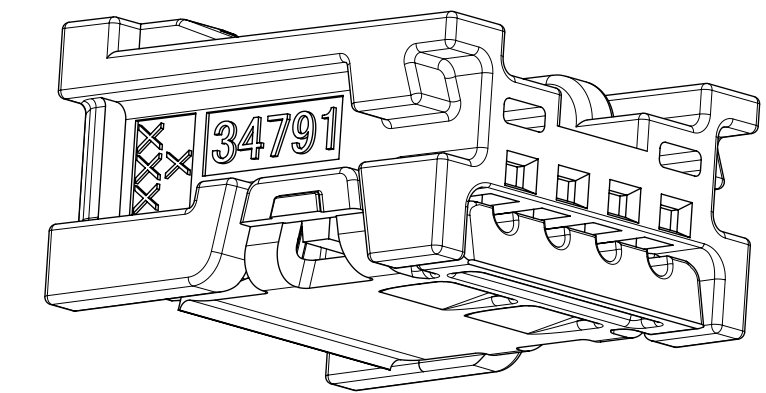
\*REFER TO SD-34824-003 FOR  
CPA-RECEPTACLE ASSEMBLIES

HINGE OPEN  
4 CIRCUIT RECEPTACLE SHOWN  
(AS SHIPPED)



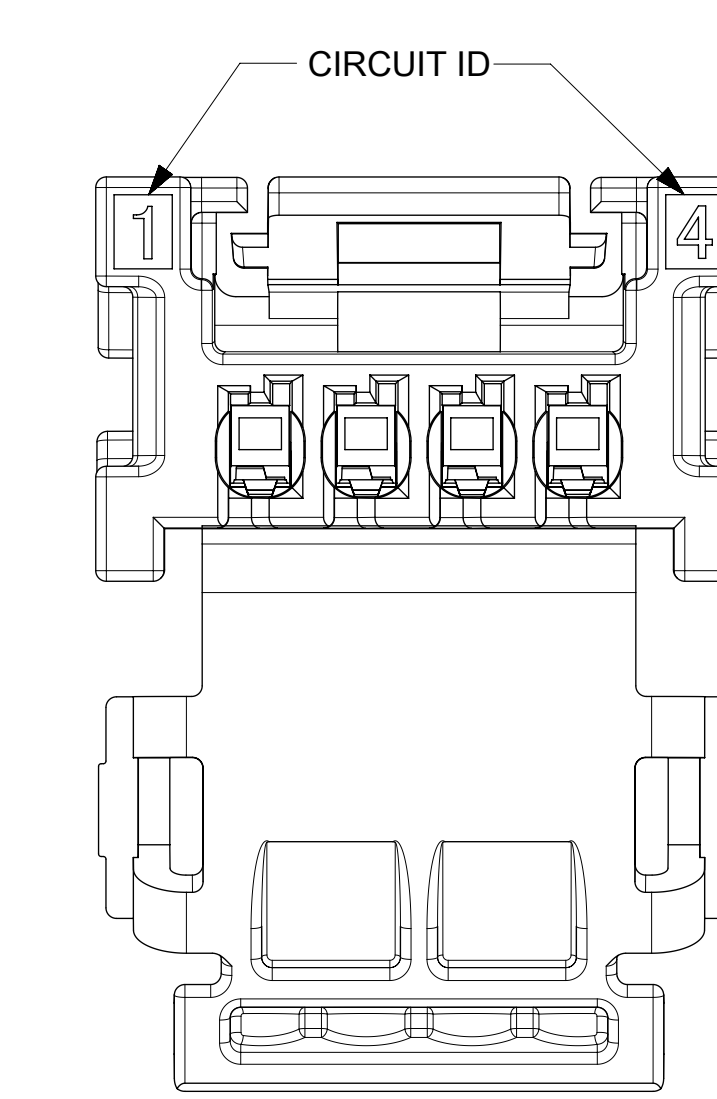
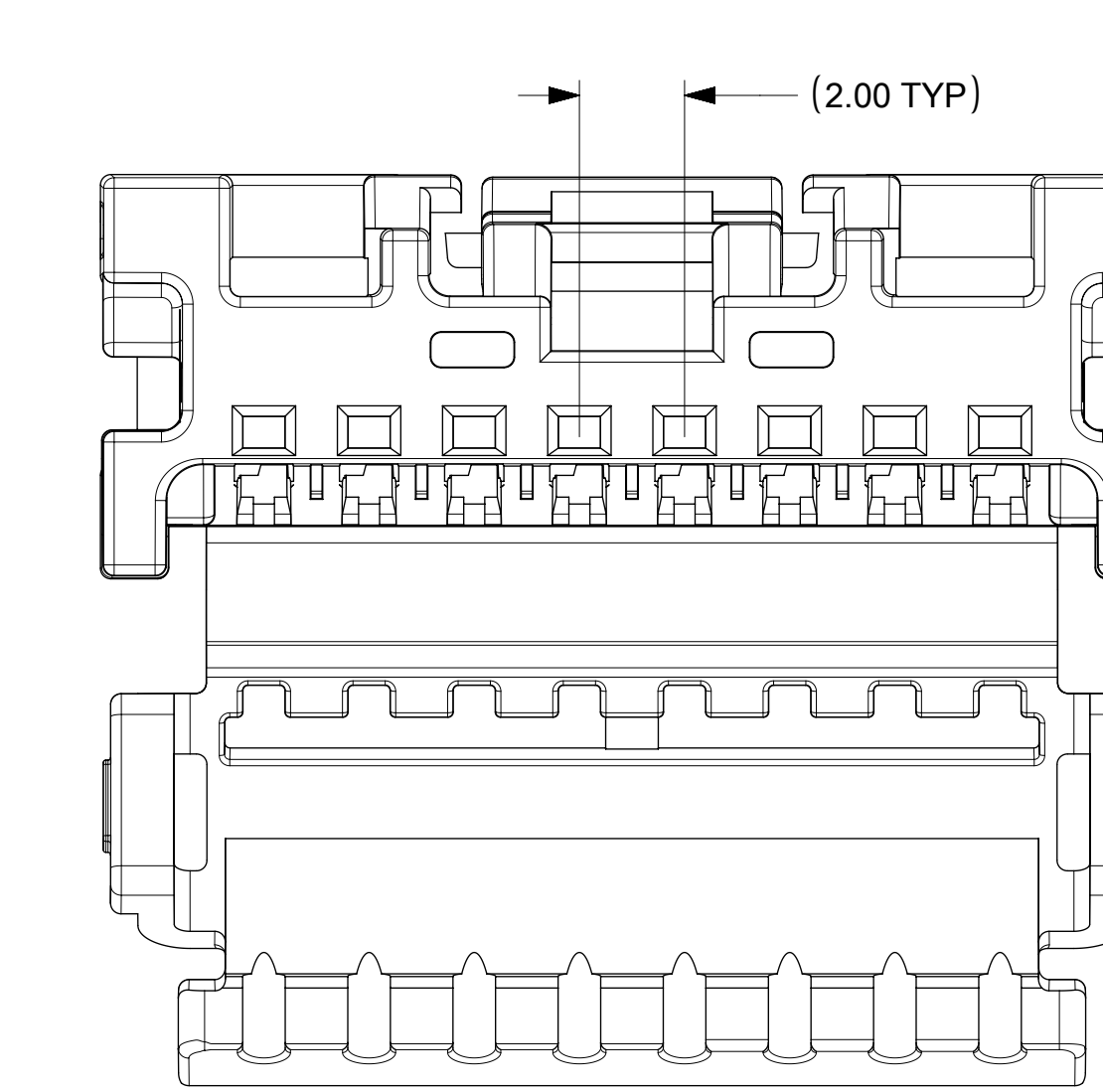
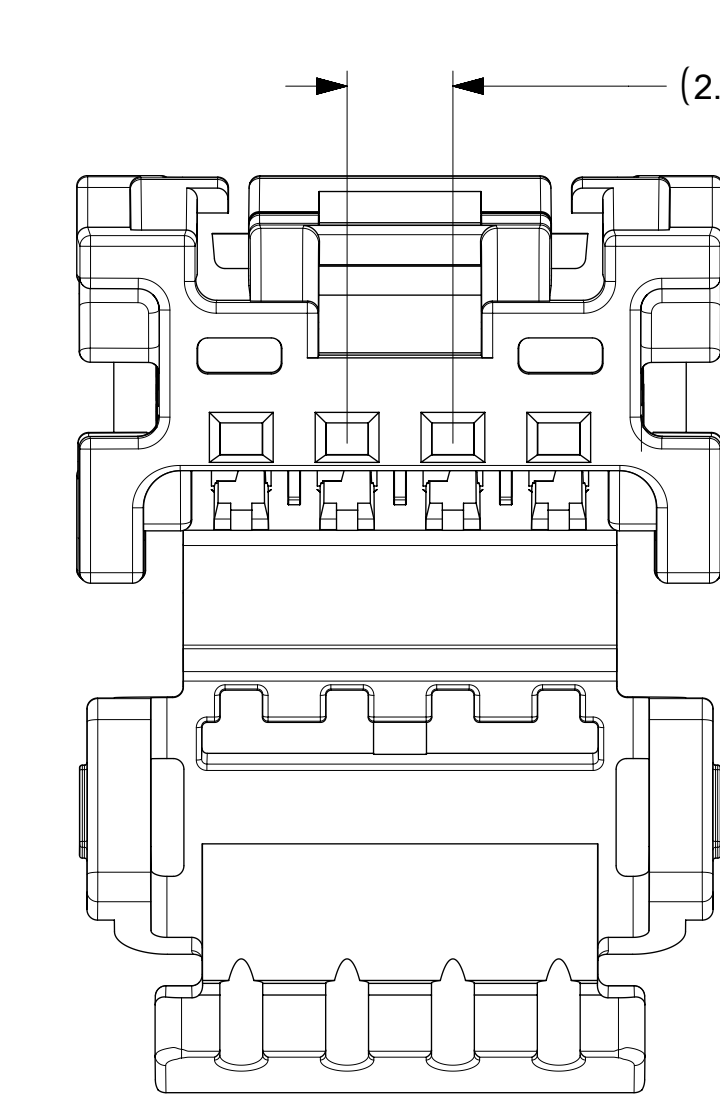
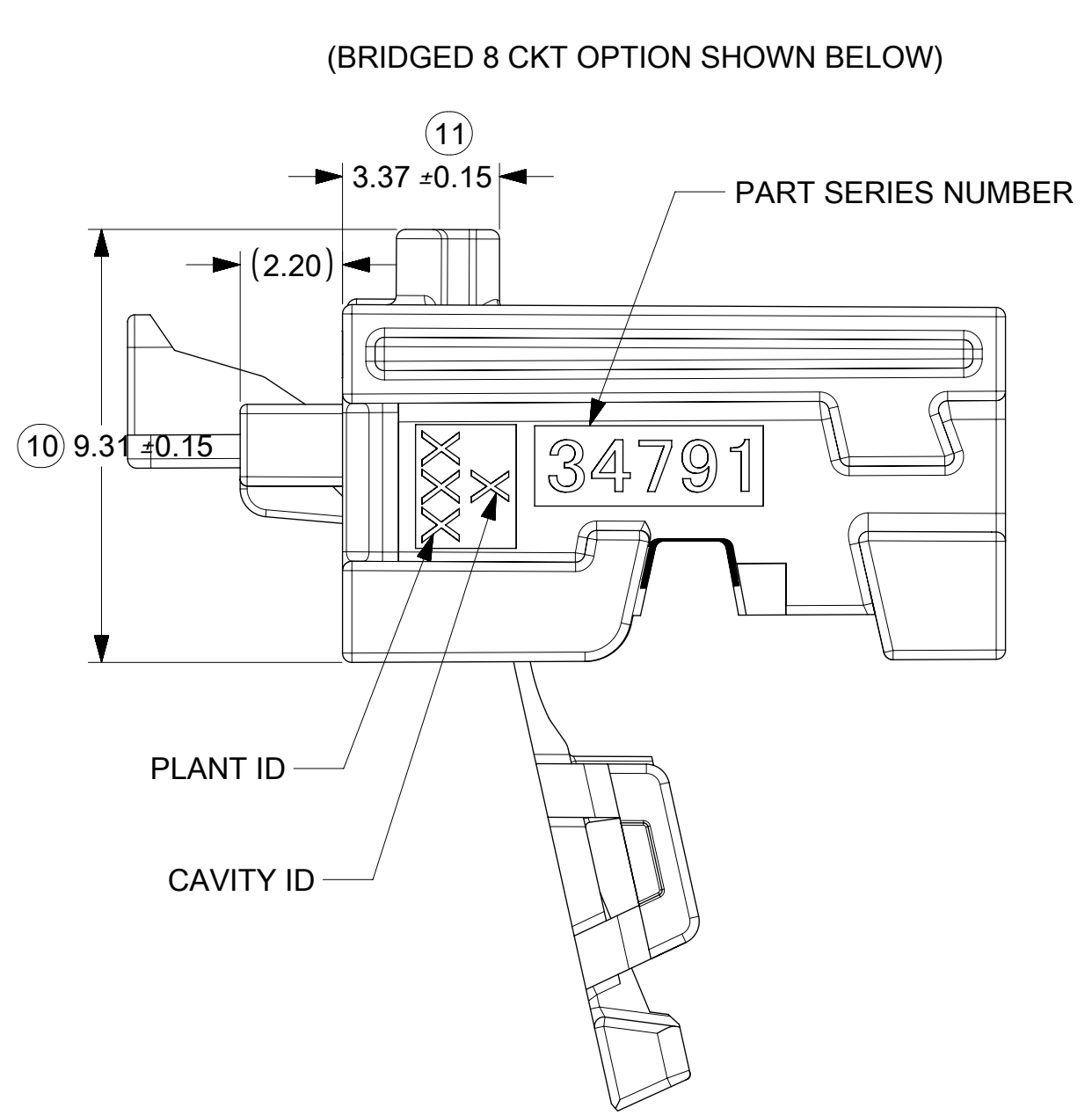
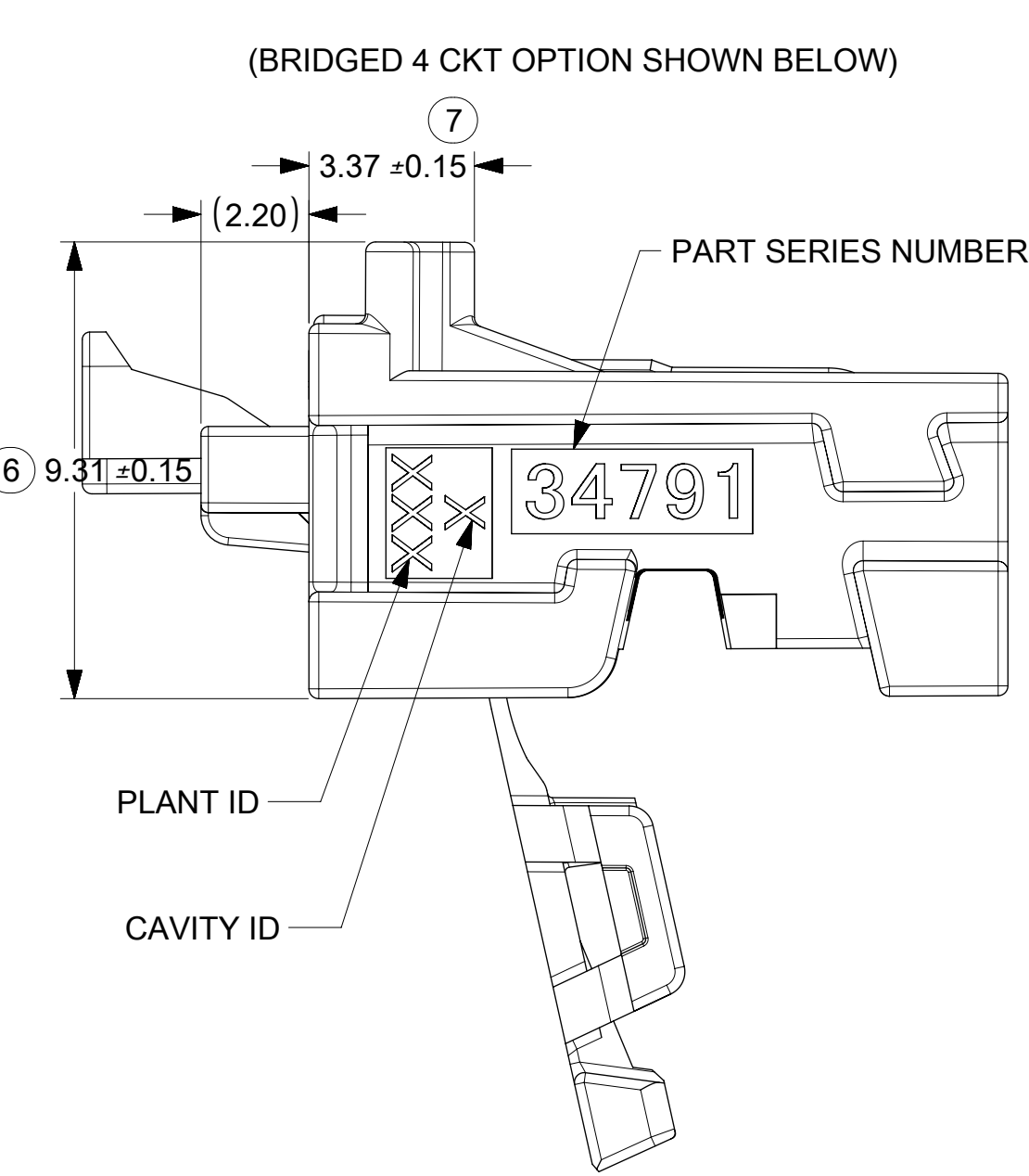
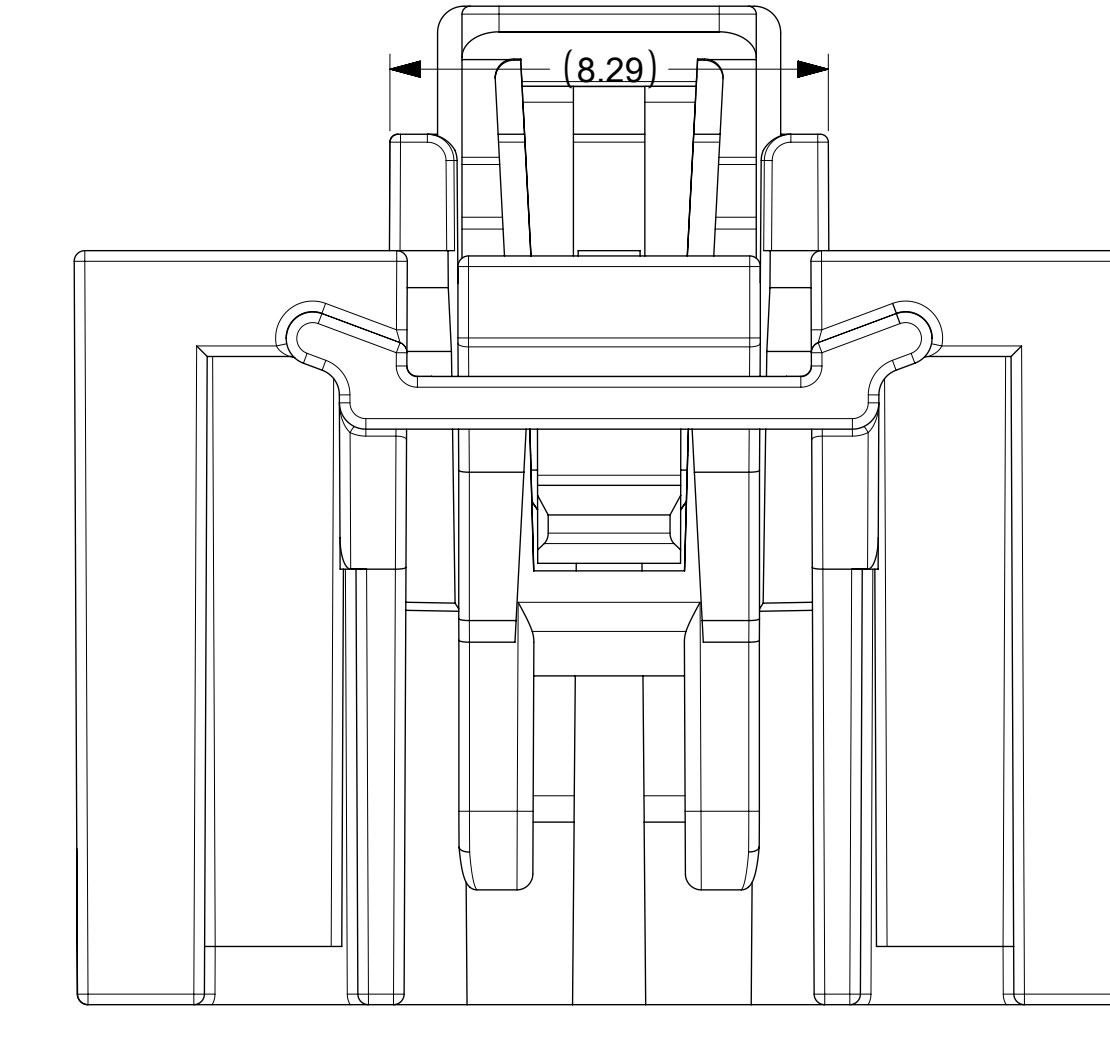
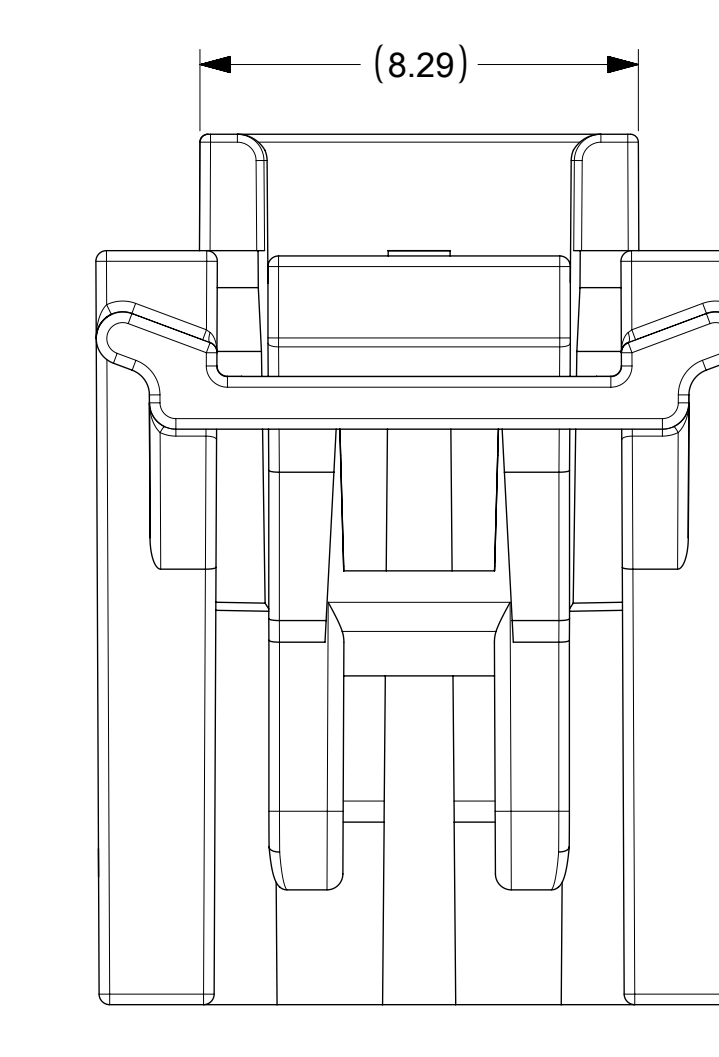
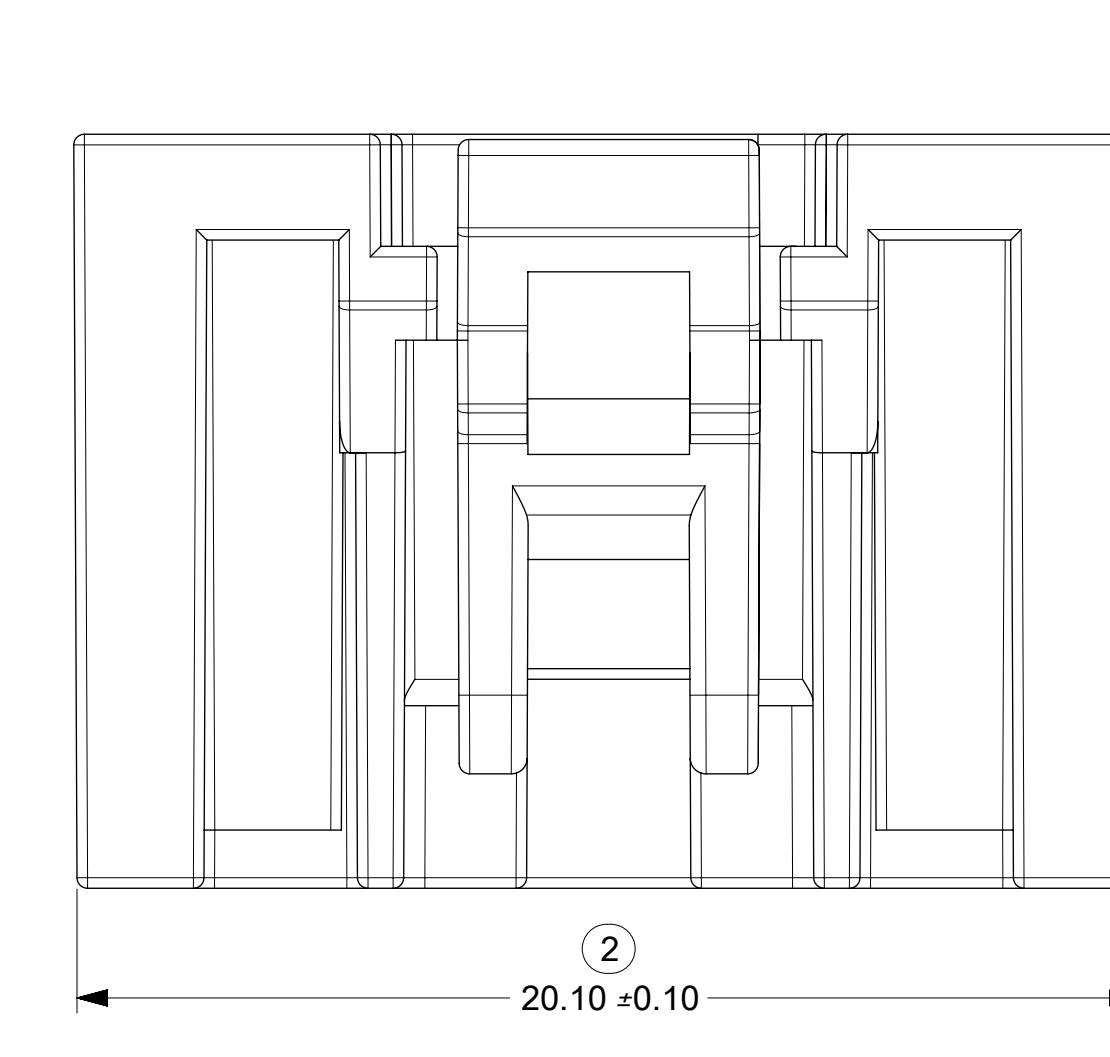
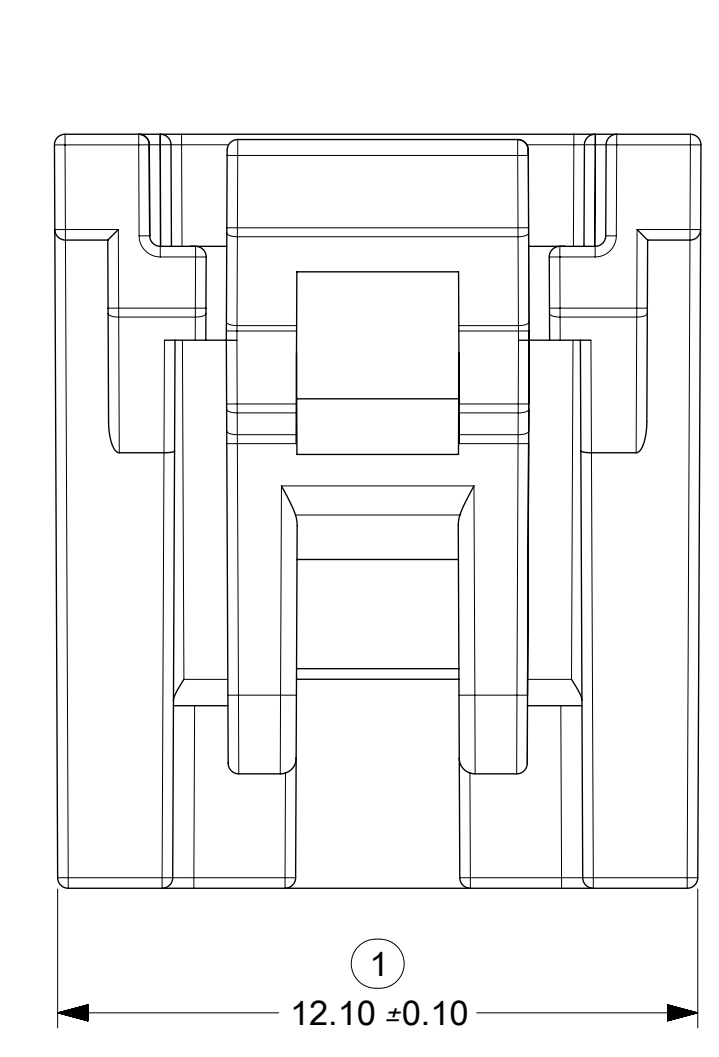
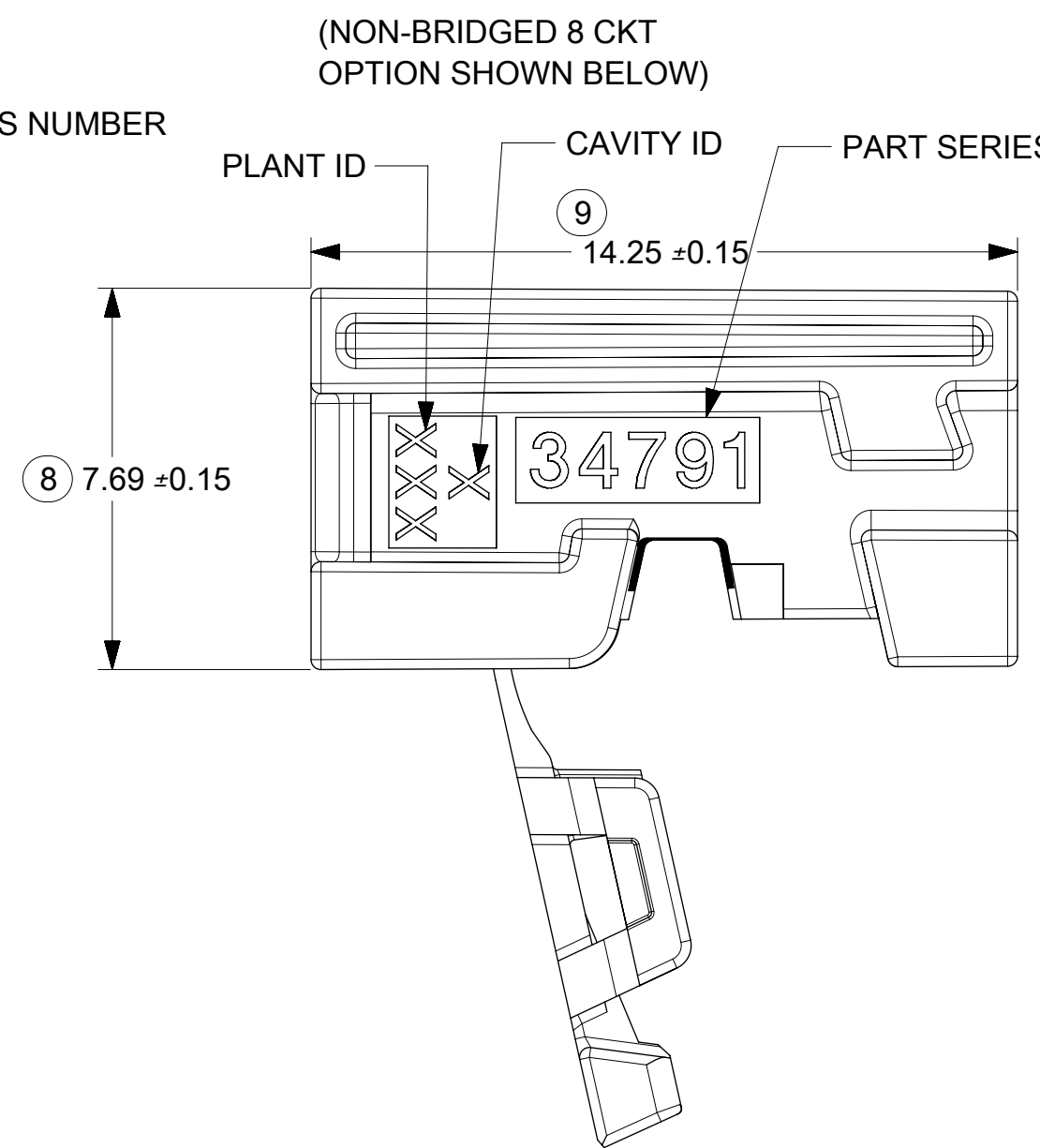
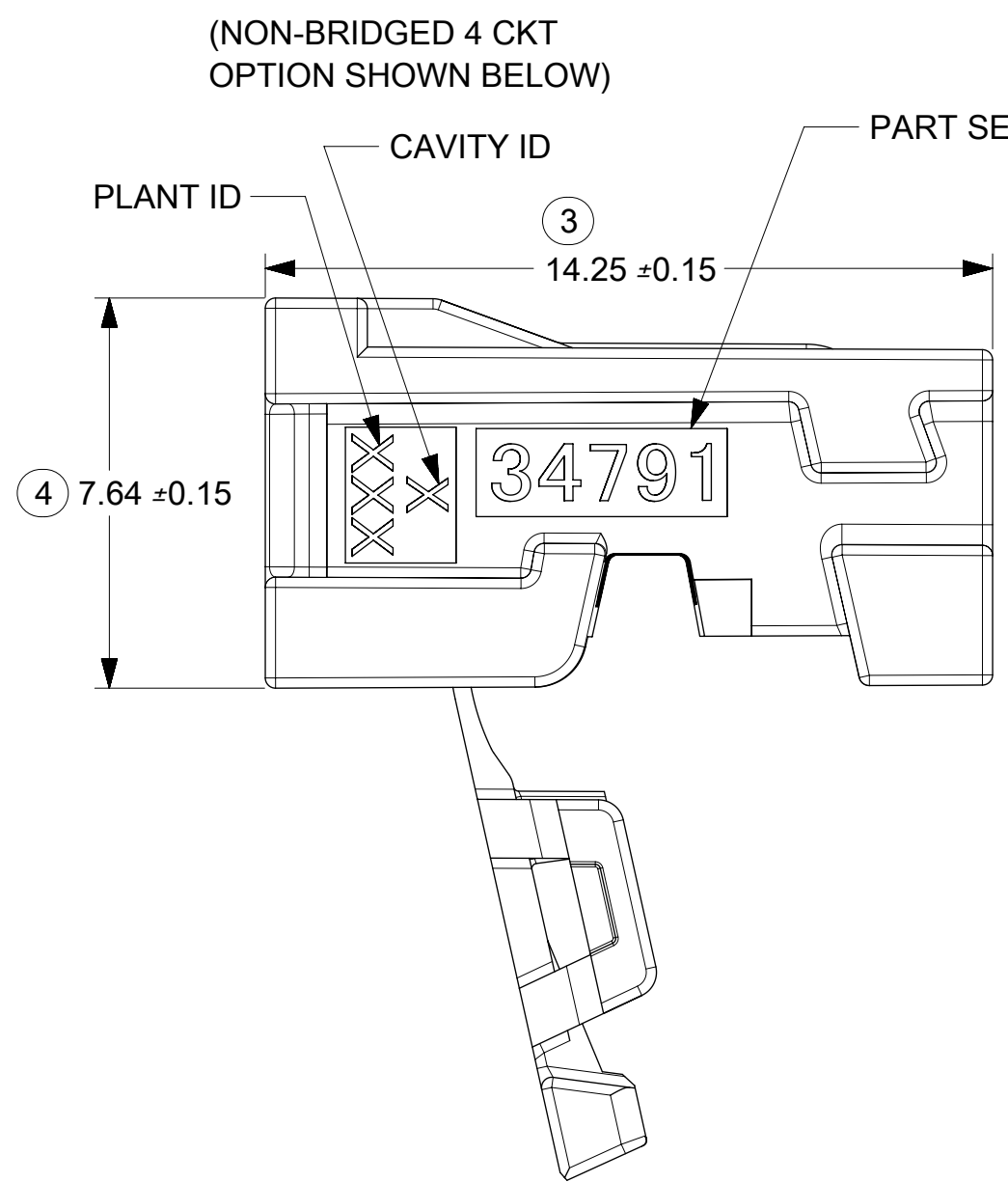
POLARIZATION  
FEATURE  
LOCATIONS

HINGE CLOSED  
4 CIRCUIT RECEPTACLE SHOWN  
(AS ASSEMBLED)

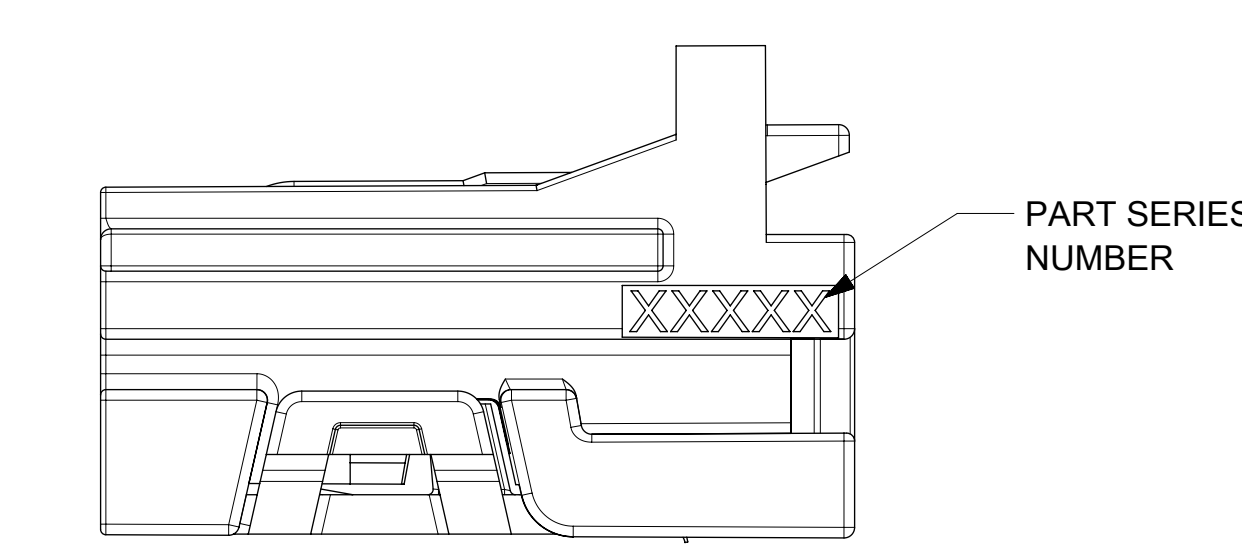
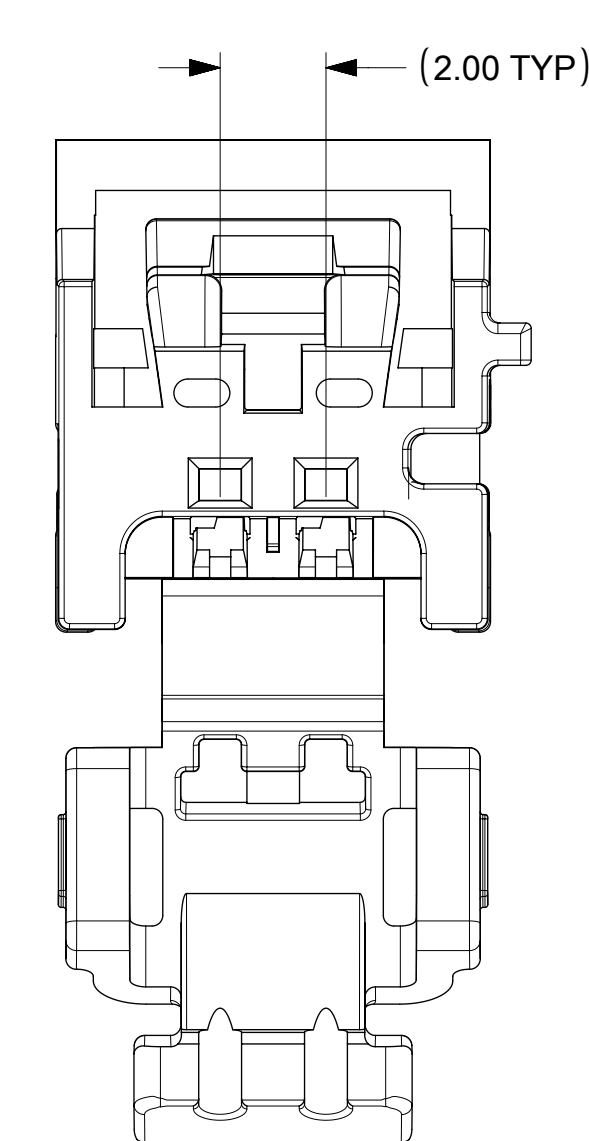
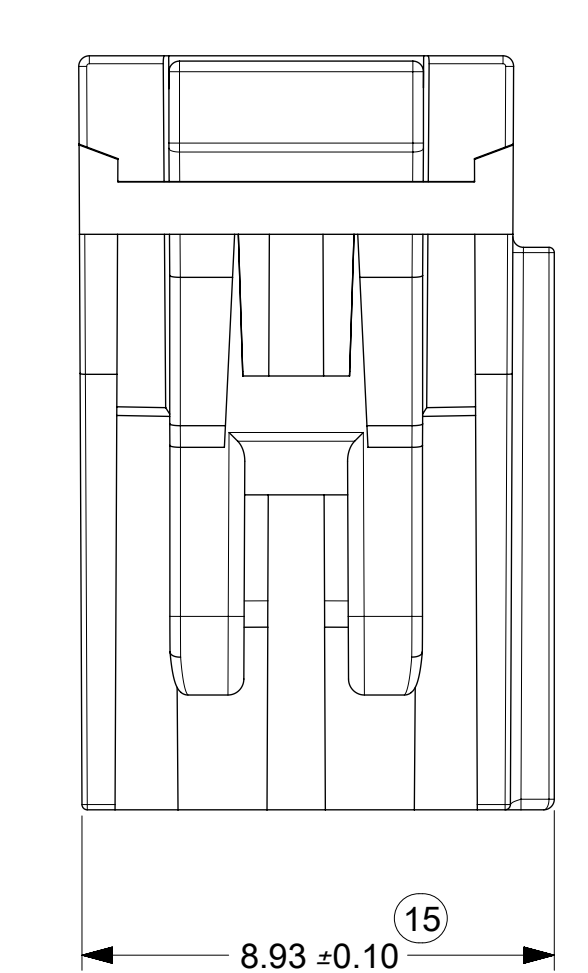
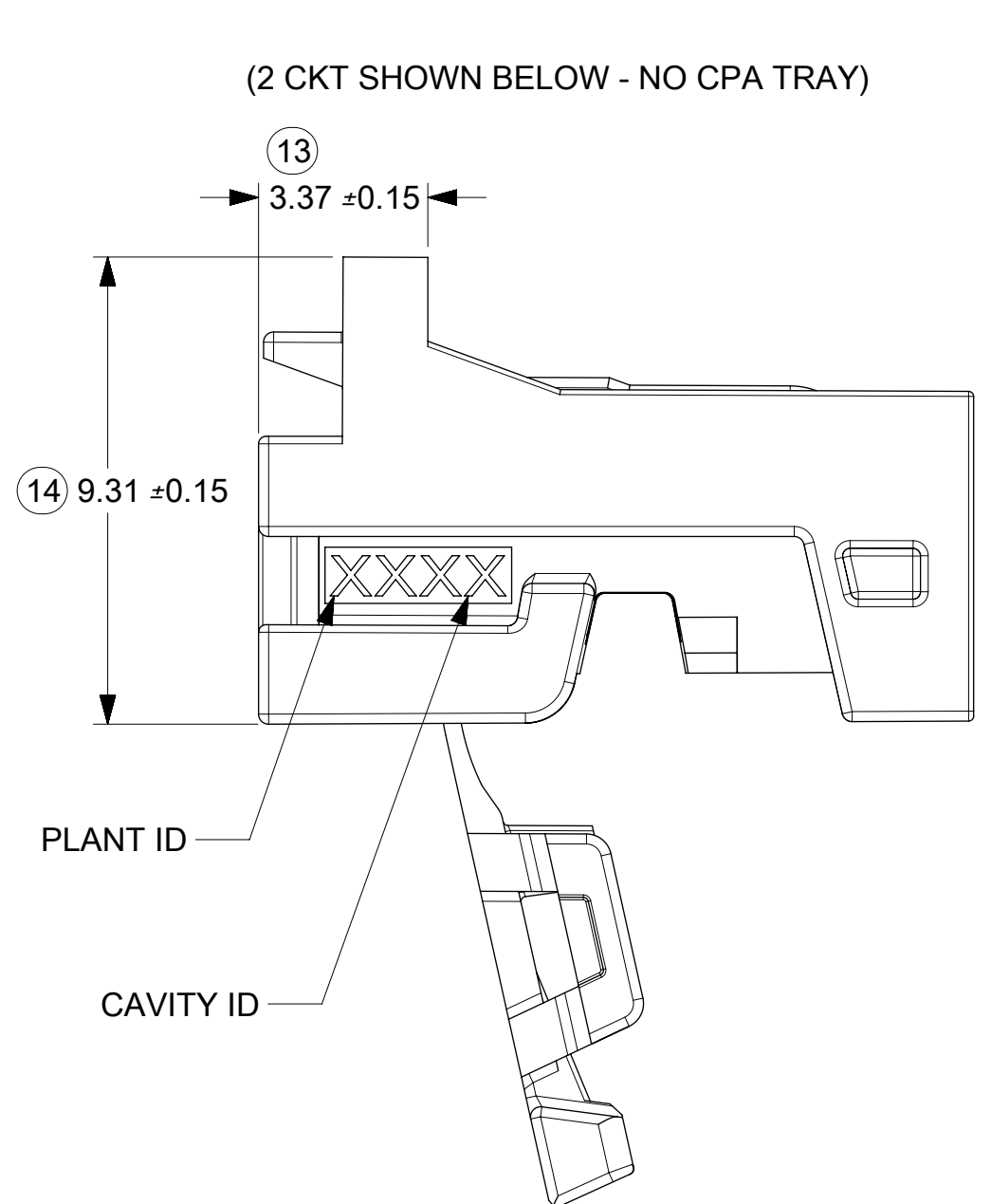


THIS DRAWING CONTAINS INFORMATION THAT IS PROPRIETARY TO MOLEX ELECTRONIC TECHNOLOGIES, LLC AND SHOULD NOT BE USED WITHOUT WRITTEN PERMISSION

EC NO: 608500 DRWN: JOYA CHKD: JDUNAJ REV APPR: JDUNAJ	2018/11/29 2018/12/03 2018/12/03	GENERAL TOLERANCES (UNLESS SPECIFIED)	DIMENSION UNITS <b>MM ONLY</b>	SCALE <b>5:1</b>			
	4 PLACES ± 3 PLACES ± 2 PLACES ± 1 PLACE ± 0 PLACES ±	ANGULAR TOL ± °	DRWN BY <b>JDUNAJ</b>	DATE <b>2010/06/24</b>		MINI50 SINGLE ROW RECEPTACLE SALES DRAWING	
	DRAFT WHERE APPLICABLE MUST REMAIN WITHIN DIMENSIONS	DRWG SIZE <b>D</b>	THIRDO ANGLE PROJECTION	CHKD BY <b>BDICK</b>			DATE <b>2010/06/24</b>
	L5	APPR BY <b>SMARCEAU</b>	DATE <b>2011/11/21</b>	PRODUCT CUSTOMER DRAWING			
	RELEASE STATUS	RELEASE DATE	SERIES <b>34791</b>	MATERIAL NUMBER <b>SEE TABLE</b>			CUSTOMER <b>GENERAL MARKET</b>
19 18 17 16 15 14 13 12 11 10 9 8 7 6 5 4 3 2 1	19 18 17 16 15 14 13 12 11 10 9 8 7 6 5 4 3 2 1	DOCUMENT NUMBER <b>SD-34791-001</b>	DOC TYPE <b>PSD</b>	DOC PART <b>000</b>	SHEET NUMBER <b>2 OF 5</b>		



4 CKT RECEPTACLE SHOWN BELOW.  
8 CKT RECEPTACLE HAS SIMILAR  
CIRCUIT ID LOCATION.



THIS DRAWING CONTAINS INFORMATION THAT IS PROPRIETARY TO MOLEX ELECTRONIC TECHNOLOGIES, LLC AND SHOULD NOT BE USED WITHOUT WRITTEN PERMISSION

EC NO: 608500 DRWN: JOYA CHKD: JDUNAJ REV/ APPR: JDUNAJ	2018/11/29	GENERAL TOLERANCES (UNLESS SPECIFIED) ANGULAR TOL ± ° 4 PLACES ± 3 PLACES ± 2 PLACES ± 1 PLACE ± 0 PLACES ± DRAFT WHERE APPLICABLE MUST REMAIN WITHIN DIMENSIONS	DIMENSION UNITS	SCALE			
	2018/12/03		MM ONLY	7:1			
	2018/12/03		DRWN BY	DATE			
			JDUNAJ	2010/06/24			
			CHKD BY	DATE			
	BDICK	2010/06/24			PRODUCT CUSTOMER DRAWING		
	APPR BY	DATE			SERIES	MATERIAL NUMBER	CUSTOMER
	SMARCEAU	2011/11/21			34791	SEE TABLE	GENERAL MARKET
	DRAWING SIZE	THIRD ANGLE PROJECTION			DOCUMENT NUMBER	DOC TYPE	DOC PART SHEET NUMBER
	D				SD-34791-001	PSD	000 3 OF 5

RELEASE STATUS	RELEASE DATE
----------------	--------------

### MINI50 RECEPTACLES

MATERIAL NUMBER BULK PACKAGING PK-31301-538	LOCK BRIDGE OPTION	CONFIGURATION	CIRCUIT	POL	COLOR	MATING COMPONENT							
						SURFACE MOUNT TECHNOLOGY (SMT) HEADER-TIN		SURFACE MOUNT TECHNOLOGY (SMT) HEADER-GOLD		VERTICAL THRU HOLE HEADER		RIGHT ANGLE THRU HOLE HEADERS	
						TAPE AND REEL PACKAGING PK-31301-786	TUBE PACKAGING PK-31301-688	TAPE AND REEL PACKAGING PK-31301-786	TUBE PACKAGING PK-31301-688	TRAY PACKAGING PK-31301-440	TUBE PACKAGING PK-31301-688	TRAY PACKAGING PK-31301-440	TUBE PACKAGING PK-31301-688
34791-0040	NO	USCAR COMPATIBLE	4	A	BLACK	34912-8040	34912-9040	34912-6040	34912-5040	34792-0040	34792-9040	34793-0040	34793-9040
34791-0041	NO	USCAR COMPATIBLE	4	B	GRAY	34912-8041	34912-9041	34912-6041	34912-5041	34792-0041	34792-9041	34793-0041	34793-9041
34791-0042	NO	USCAR COMPATIBLE	4	C	DARK GRAY	34912-8042	34912-9042	34912-6042	34912-5042	34792-0042	34792-9042	34793-0042	34793-9042
34791-0043	NO	USCAR COMPATIBLE	4	D	GREEN	34912-8043	34912-9043	34912-6043	34912-5043	34792-0043	34792-9043	34793-0043	34793-9043
34791-0080	NO	USCAR COMPATIBLE	8	A	BLACK	34912-8080	34912-9080	34912-6080	34912-5080	34792-0080	34792-9080	34793-0080	34793-9080
34791-0081	NO	USCAR COMPATIBLE	8	B	GRAY	34912-8081	34912-9081	34912-6081	34912-5081	34792-0081	34792-9081	34793-0081	34793-9081
34791-0082	NO	USCAR COMPATIBLE	8	C	DARK GRAY	34912-8082	34912-9082	34912-6082	34912-5082	34792-0082	34792-9082	34793-0082	34793-9082
34791-0140	YES	USCAR COMPATIBLE	4	A	BLACK	34912-8040	34912-9040	34912-6040	34912-5040	34792-0040	34792-9040	34793-0040	34793-9040
34791-0141	YES	USCAR COMPATIBLE	4	B	GRAY	34912-8041	34912-9041	34912-6041	34912-5041	34792-0041	34792-9041	34793-0041	34793-9041
34791-0142	YES	USCAR COMPATIBLE	4	C	DARK GRAY	34912-8042	34912-9042	34912-6042	34912-5042	34792-0042	34792-9042	34793-0042	34793-9042
34791-0143	YES	USCAR COMPATIBLE	4	D	GREEN	34912-8043	34912-9043	34912-6043	34912-5043	34792-0043	34792-9043	34793-0043	34793-9043
34791-0180	YES	USCAR COMPATIBLE	8	A	BLACK	34912-8080	34912-9080	34912-6080	34912-5080	34792-0080	34792-9080	34793-0080	34793-9080
34791-0181	YES	USCAR COMPATIBLE	8	B	GRAY	34912-8081	34912-9081	34912-6081	34912-5081	34792-0081	34792-9081	34793-0081	34793-9081
34791-0182	YES	USCAR COMPATIBLE	8	C	DARK GRAY	34912-8082	34912-9082	34912-6082	34912-5082	34792-0082	34792-9082	34793-0082	34793-9082
34791-0020	YES	MOLEX	2	A	BLACK	34912-8020	34912-9020	34912-6020	34912-5020	N/A	N/A	N/A	N/A
34791-0021	YES	MOLEX	2	B	GRAY	34912-8021	34912-9021	34912-6021	34912-5021	N/A	N/A	N/A	N/A
34791-0022	YES	MOLEX	2	C	DARK GRAY	34912-8022	34912-9022	34912-6022	34912-5022	N/A	N/A	N/A	N/A
34791-0023	YES	MOLEX	2	D	GREEN	34912-8023	34912-9023	34912-6023	34912-5023	N/A	N/A	N/A	N/A

### CTX50 UNSEALED RECEPTACLE TERMINALS

PART NUMBER		MATERIAL	WIRE GAGE (mm <sup>2</sup> )	GRIP
D-WIND (LEFT PAYOFF)	B-WIND (RIGHT PAYOFF)			
560023-0448	560023-0450	COPPER ALLOY	0.35	LARGE
560023-0421	560023-0423	COPPER ALLOY	0.22	MEDIUM
560023-0422	560023-0424	COPPER ALLOY	0.13	SMALL

THIS DRAWING CONTAINS INFORMATION THAT IS PROPRIETARY TO MOLEX ELECTRONIC TECHNOLOGIES, LLC AND SHOULD NOT BE USED WITHOUT WRITTEN PERMISSION

EC NO: 608500 DRWN: JOYA CHKD: JDUNAJ REV APPR: JDUNAJ	2018/11/29	GENERAL TOLERANCES (UNLESS SPECIFIED) ANGULAR TOL ± ° 4 PLACES ± 3 PLACES ± 2 PLACES ± 1 PLACE ± 0 PLACES ± DRAFT WHERE APPLICABLE MUST REMAIN WITHIN DIMENSIONS	DIMENSION UNITS	SCALE	  MINI50 SINGLE ROW RECEPTACLE SALES DRAWING  PRODUCT CUSTOMER DRAWING
	2018/12/03		MM ONLY	5:1	
	2018/12/03		DRWN BY	DATE	
	JDUNAJ		JDUNAJ	2010/06/24	
	JDUNAJ		BDICK	2010/06/24	
JDUNAJ	SMARCEAU	2011/11/21	CHKD BY	DATE	SERIES: 34791 MATERIAL NUMBER: SEE TABLE CUSTOMER: GENERAL MARKET  DOCUMENT NUMBER: SD-34791-001 DOC TYPE: PSD DOC PART: 000 SHEET NUMBER: 5 OF 5
JDUNAJ	DATE	DRAWING SIZE	THIRD ANGLE PROJECTION		
JDUNAJ	DATE	D			
JDUNAJ	DATE	L5	PSD		
JDUNAJ	DATE	000	5 OF 5		