

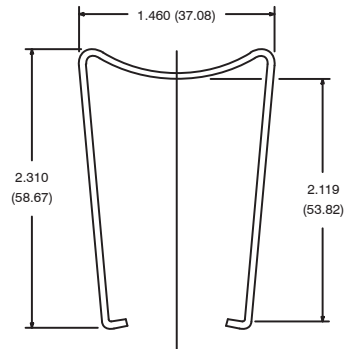
Accessories

R95-020

For use with the following sockets:

- R95-116
- R95-123
- R95-124

Hold Down Clip

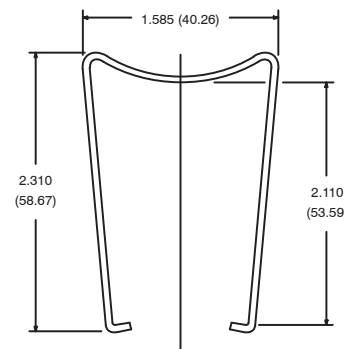


R95-021

For use with the following sockets:

- R95-115

Hold Down Clip



R95-101



Features

- Panel/Surface Mount
- Pressure Clamp Screws
- Screws: 6-32 x 5/16", Steel, Nickel Plated.

Electrical Rating:

300 Volts, 15 Amps

8-Pin Octal Socket

