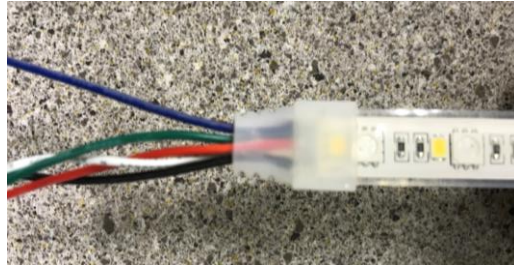


End-Caps for sealing respective AB-FD series rope lights

Product Image:

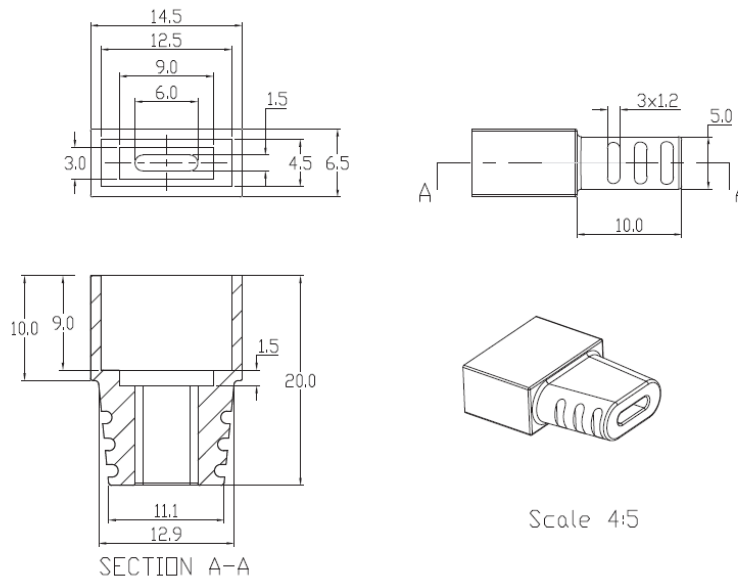


Types:

- 2-Wires: For single color
- 3-Wires: For dual color
- 4-Wires: For RGB
- 5-Wires: For RGBW



Mechanical Dimension:



Note:

1. Material: Silicone, 94V-0 (PN: HJ-1030, UL file: E236040)
2. Color: Water clear
3. Unit: mm

Instruction:

1. Field cut the AB-FD series light strips at the soldering joints.



2. Place the end caps on the cut sections.
3. Use Dow Chemical 9-1374 silicone gel to seal the end caps to maintain the IP67 waterproof grading.