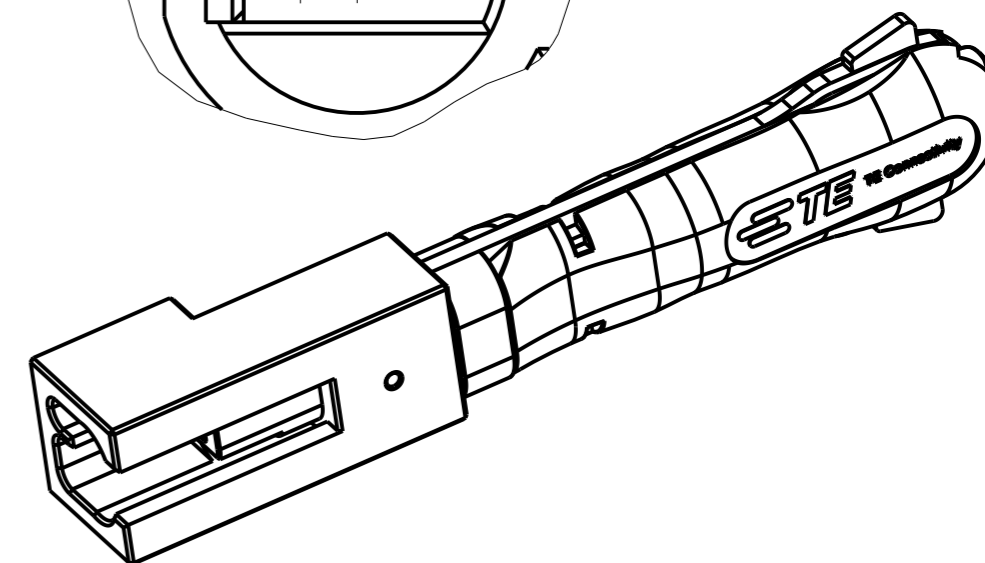
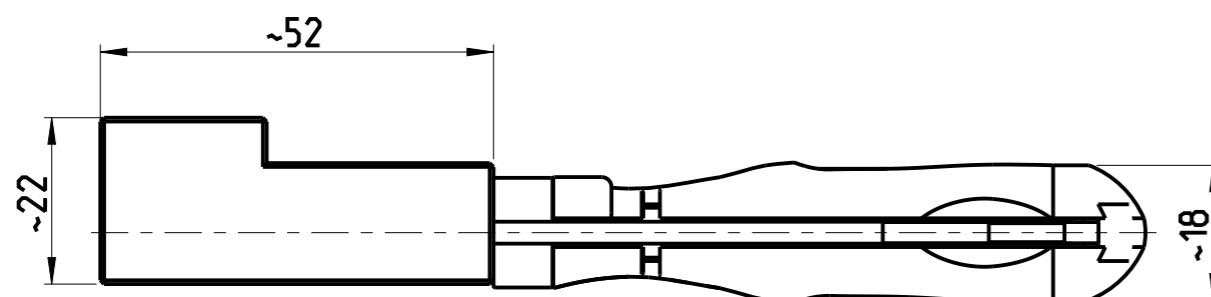
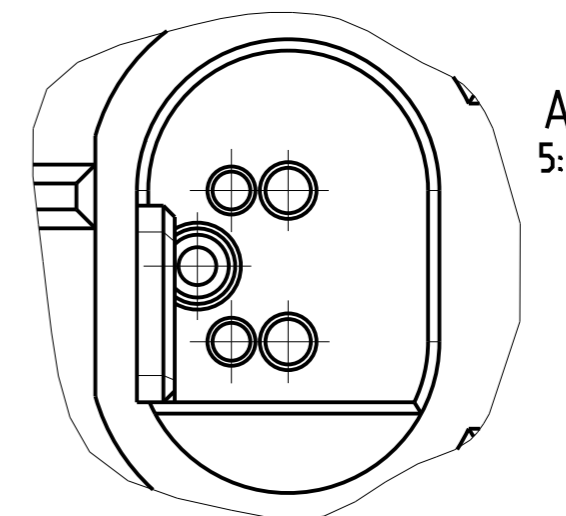
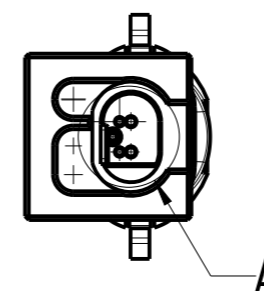
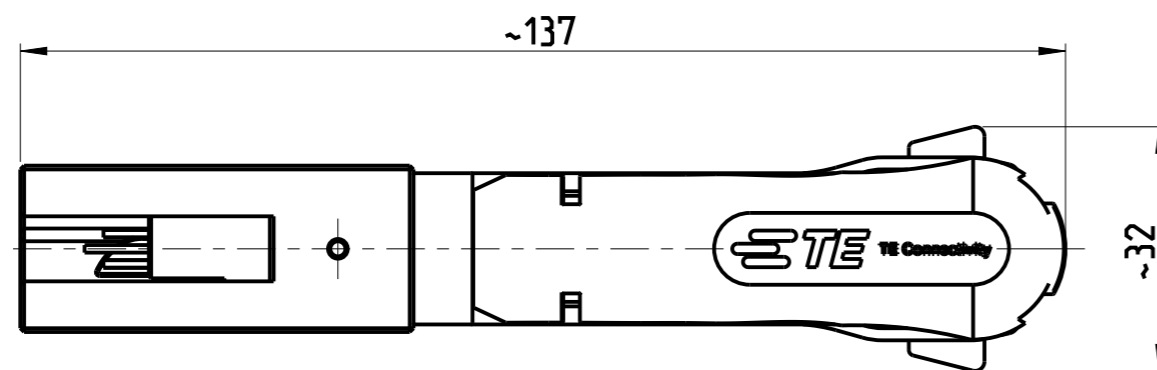
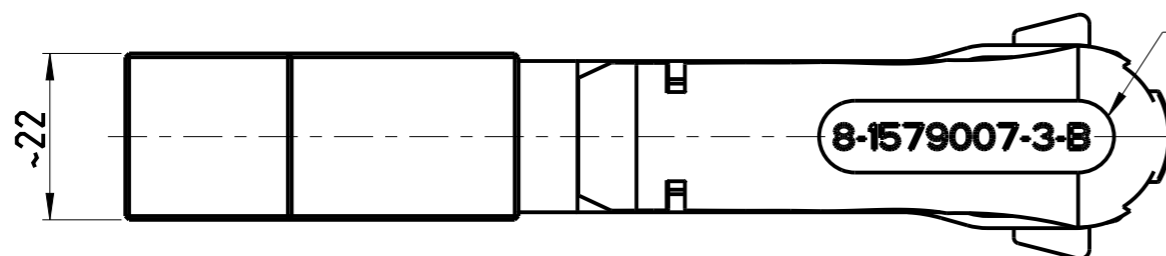


P	LTR	DESCRIPTION	DATE	DWN	APVD
B1	ECR-17-008556		13JUN2017	MG	BM
B2	ECR-21-001695		11FEB2021	PNT	GS




ITEM NUMBER
Art-Nr H=3mm



APPLICATION RANGE / Anwendungsbereich:

CONTACT MQS: 962886, 965908
HOUSING 2 Pos. MQS: 967079, 963658

Extraction Tool for opening the secondary Lock of a MQS 2 pol.-Housing.
Entriegelungswerkzeug zum Oeffnen der zweiten Kontaktsicherung eines MQS 2 pol.-Gehaeuses.

THIS DRAWING IS A CONTROLLED DOCUMENT.		DWN S. Samstag 10SEP2008	 TE Connectivity		
DIMENSIONS: mm		CHK G. Stegmayer 11SEP2008			
TOLERANCES UNLESS OTHERWISE SPECIFIED:		APVD G. Stegmayer 11SEP2008	NAME EXTRACTION TOOL Entriegelungswerkzeug		
0 PLC ± 1 PLC ± 2 PLC ± 3 PLC ± 4 PLC ± ANGLES ±		PRODUCT SPEC -	RESTRICTED TO -		
MATERIAL		APPLICATION SPEC -	SIZE A3	CAGE CODE 00779	DRAWING NO C-8-1579007-3
FINISH		WEIGHT 0.050kg	SCALE 1:1		SHEET 1 OF 1
		CUSTOMER DRAWING		REV B2	