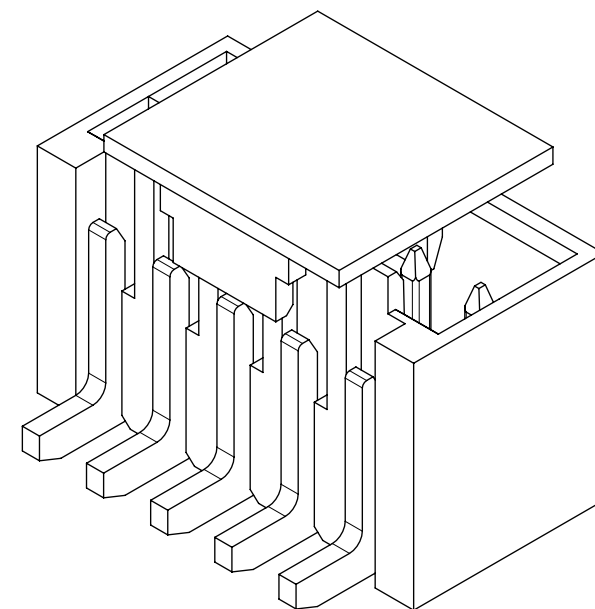
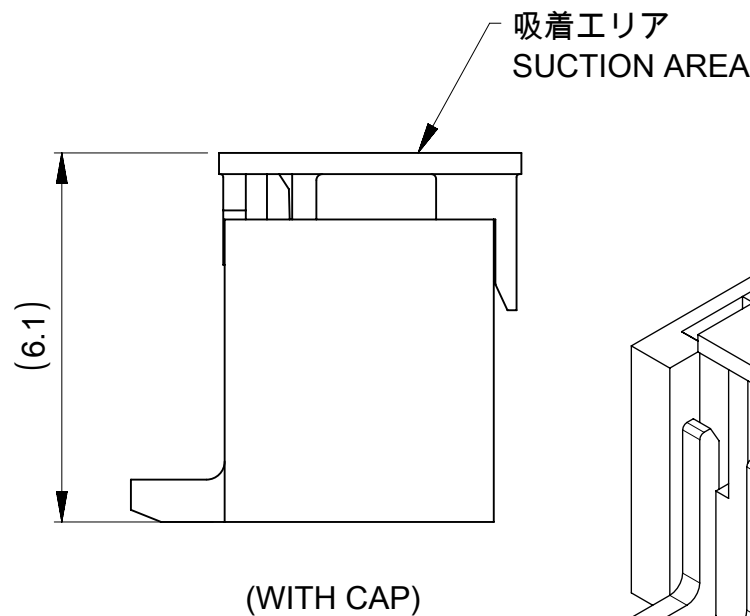
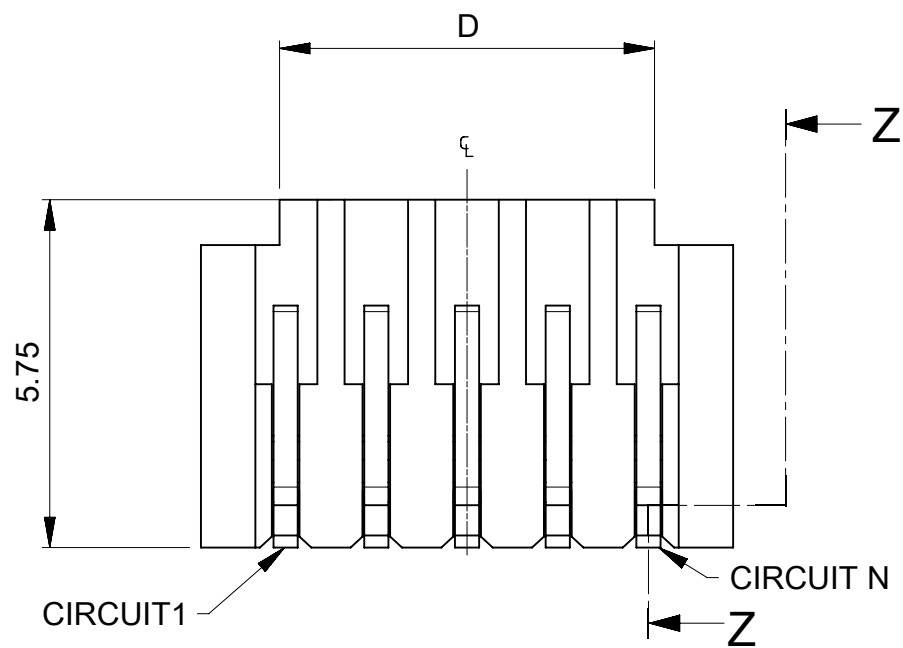


注記

NOTE

- ① . 材質および仕上げ(めっき仕様) : TABLE1 参照  
MATERIAL AND FINISH: SEE TABLE 1
- ② . 製品仕様書 : 2027050000 PS 000  
PRODUCT SPECIFICATION : 2027050000 PS 000
- ③ . 製品取扱説明書 : 874370000-AS  
APPLICATION SPECIFICATION : 874370000-AS
- ④ . テール平坦度 : 0.1以下  
TAIL COPLANARITY TO BE 0.1 MAX.
- ⑤ . 嵌合相手 : 87439シリーズ(リセプタクルハウジング), 87421シリーズ(圧着端子)  
MATE WITH 87439 SERIES (RECEPTACLE HOUSING) AND 87421 SERIES (CRIMP TERMINAL).
- ⑥ . 本製品は金めっき品である。錫めっき品は87437シリーズを参照。  
THIS PRODUCT IS GOLD PLATING. FOR TIN PLATING, REFER TO 87437 SERIES.



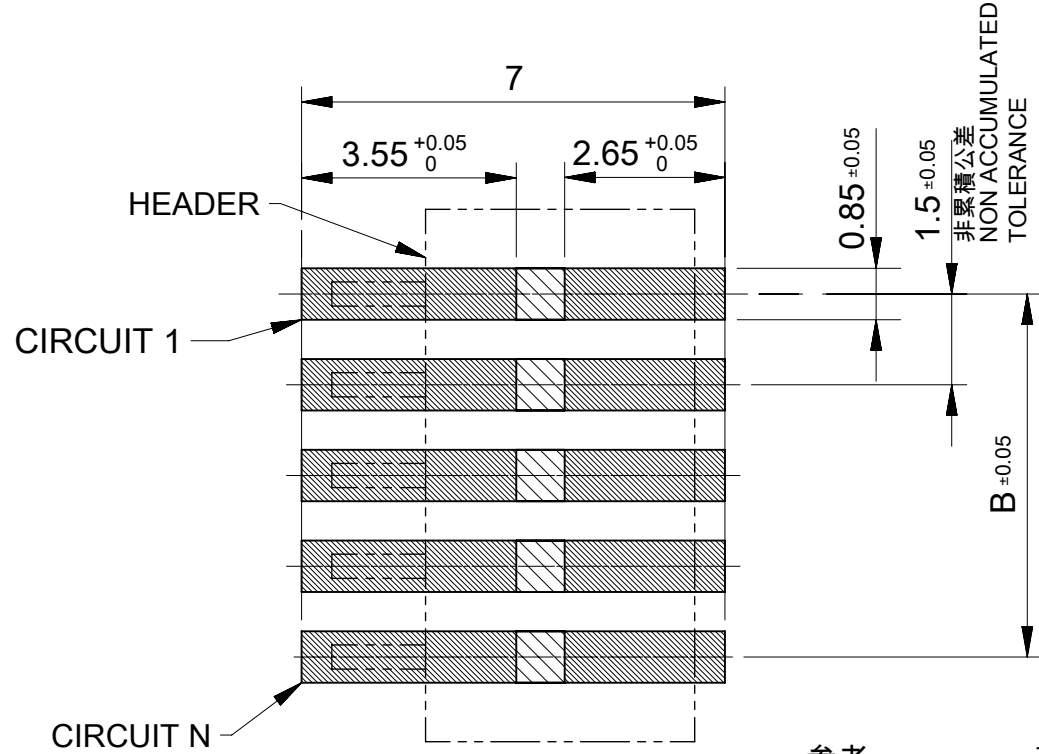
21.2	22.8	21.0	23.8	2027051541	15
19.7	21.3	19.5	22.3	2027051441	14
18.2	19.8	18.0	20.8	2027051341	13
16.7	18.3	16.5	19.3	2027051241	12
15.2	16.8	15.0	17.8	2027051141	11
13.7	15.3	13.5	16.3	2027051041	10
12.2	13.8	12.0	14.8	2027050941	9
10.7	12.3	10.5	13.3	2027050841	8
9.2	10.8	9.0	11.8	2027050741	7
7.7	9.3	7.5	10.3	2027050641	6
6.2	7.8	6.0	8.8	2027050541	5
4.7	6.3	4.5	7.3	2027050441	4
3.2	4.8	3.0	5.8	2027050341	3
1.7	3.3	1.5	4.3	2027050241	2
D	C	B	A	ヘッダー番号 HEADER NO.	極数 CIRCUIT SIZE

① TABLE1

番号 No.	部品 PART	材質 MATERIAL	
①	ハウジング HOUSING	ナイロン, UL94-V0, 色 : ベージュ NYLON (PA), UL94-V0, COLOR : BEIGE	
②	キャップ CAP	ナイロン, UL94-V0, 色 : ベージュ NYLON (PA), UL94-V0, COLOR : BEIGE	
③	ターミナル TERMINAL	材料 MATERIAL	黄銅 BRASS
		下地めっき UNDER PLATING	ニッケルめっき 1.27マイクロメートル以上 NICKEL PLATING 1.27micro-meter MIN
		接点部、テール CONTACT AND TAIL	金めっき 0.1マイクロメートル以上 GOLD PLATING 0.1 micro-meter MIN

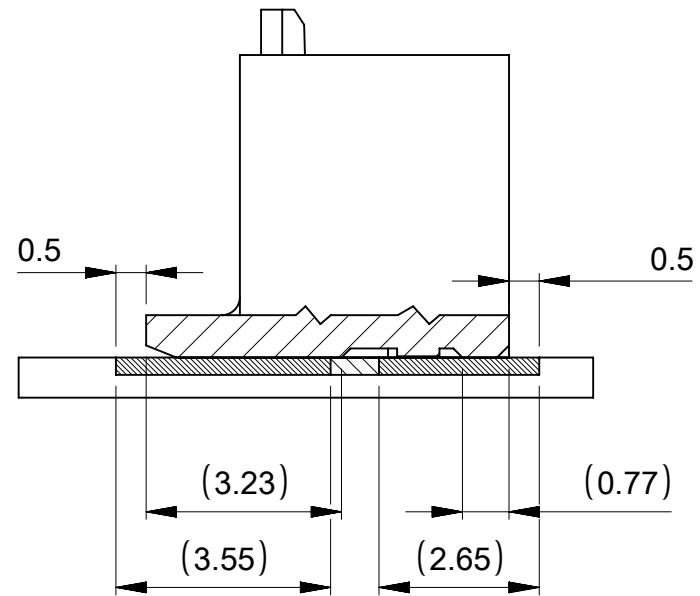
THIS DRAWING CONTAINS INFORMATION THAT IS PROPRIETARY TO MOLEX ELECTRONIC TECHNOLOGIES, LLC AND SHOULD NOT BE USED WITHOUT WRITTEN PERMISSION		CURRENT REV DESC:		<b>molex</b>	
DIMENSION UNITS mm	SCALE 8:1	EC NO: 712179 DRWN: TENAGASE 2022/06/28 CHK'D: SAKIYAMA 2022/06/28 APPR: AIDA 2022/06/28			
GENERAL TOLERANCES (UNLESS SPECIFIED)		INITIAL REVISION:		DOCUMENT NUMBER	
ANGULAR TOL	± 3.0°	DRWN: RTANAKA02 2016/08/08 APPR: TKANEKO 2017/03/23		2027050241	
4 PLACES	± 0.2	DRAWING		DOC TYPE	DOC PART
3 PLACES	± 0.2	A3-SIZE		PSD	000
2 PLACES	± 0.2	SERIES		REVISION	D
1 PLACE	± 0.2	202705		GENERAL	
0 PLACES	± 0.2	MATERIAL NUMBER		SHEET NUMBER	
DRAFT WHERE APPLICABLE MUST REMAIN WITHIN DIMENSIONS		THIRD ANGLE PROJECTION		SEE SHEET 4	
		CUSTOMER		1 OF 4	

# 推奨基板レイアウト RECOMMENDED PCB LAYOUT



参考 : 基板厚 1.0mm  
 REFERENCE : PCB THICKNESS 1.0mm  
 メタルマスク厚 0.12mm  
 STENCIL THICKNESS 0.12mm  
 マスク開口率100%  
 APERTURE RATIO 100%.

- : 半田エリア (パターンエリア)  
SOLDER AREA (COPPER ZONE)
- : 半田禁止エリア (パターン禁止エリア)  
SOLDER KEEP OUT AREA (NO-COPPER ZONE)  
半田上がりを防ぐため。  
TO PREVENT SOLDER LIFTING.  
レジストによって分離する場合は、パターン面よりも盛り上がらないこと。  
IF APPLY RESIST IN THIS AREA, LEVEL AS PATTERN AREA FACE.

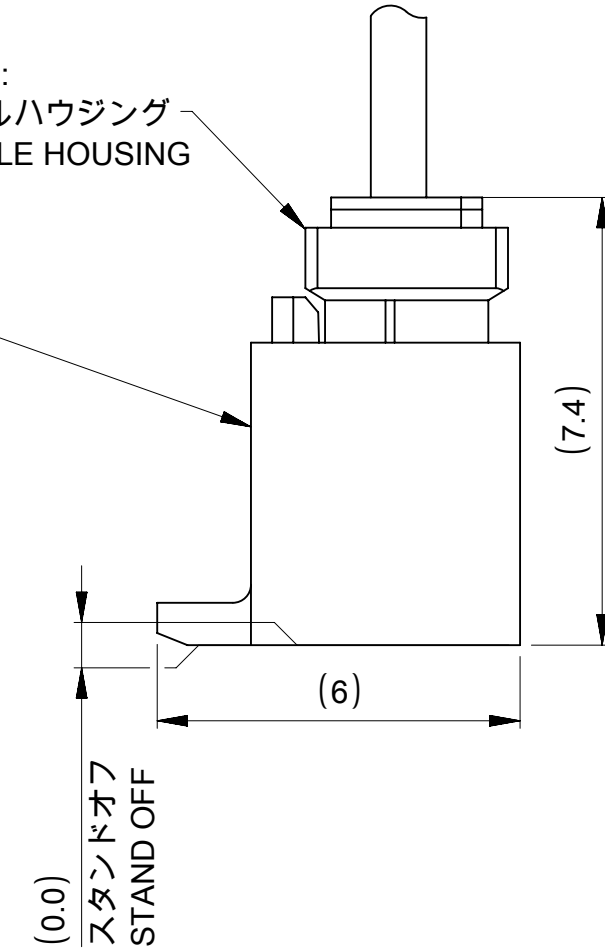


SECTION Z-Z

# △ 5 嵌合図 MATED CONNECTORS

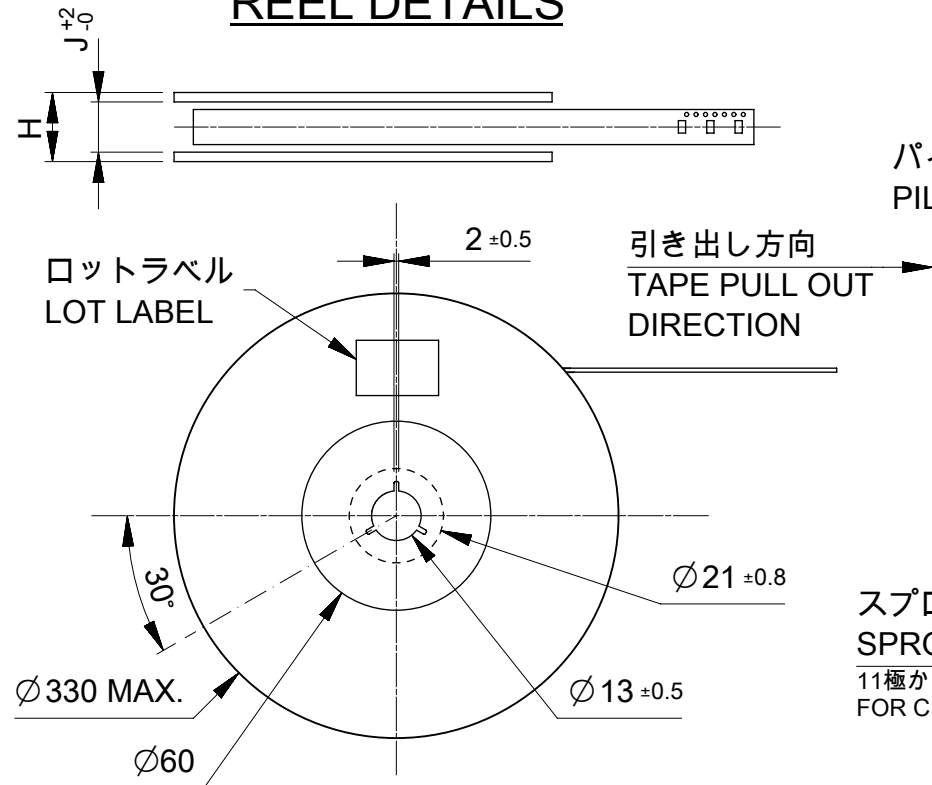
嵌合相手 :  
 MATE WITH:  
 レセプタクルハウジング  
 RECEPTACLE HOUSING  
 87439

ヘッダー  
 HEADER  
 202705

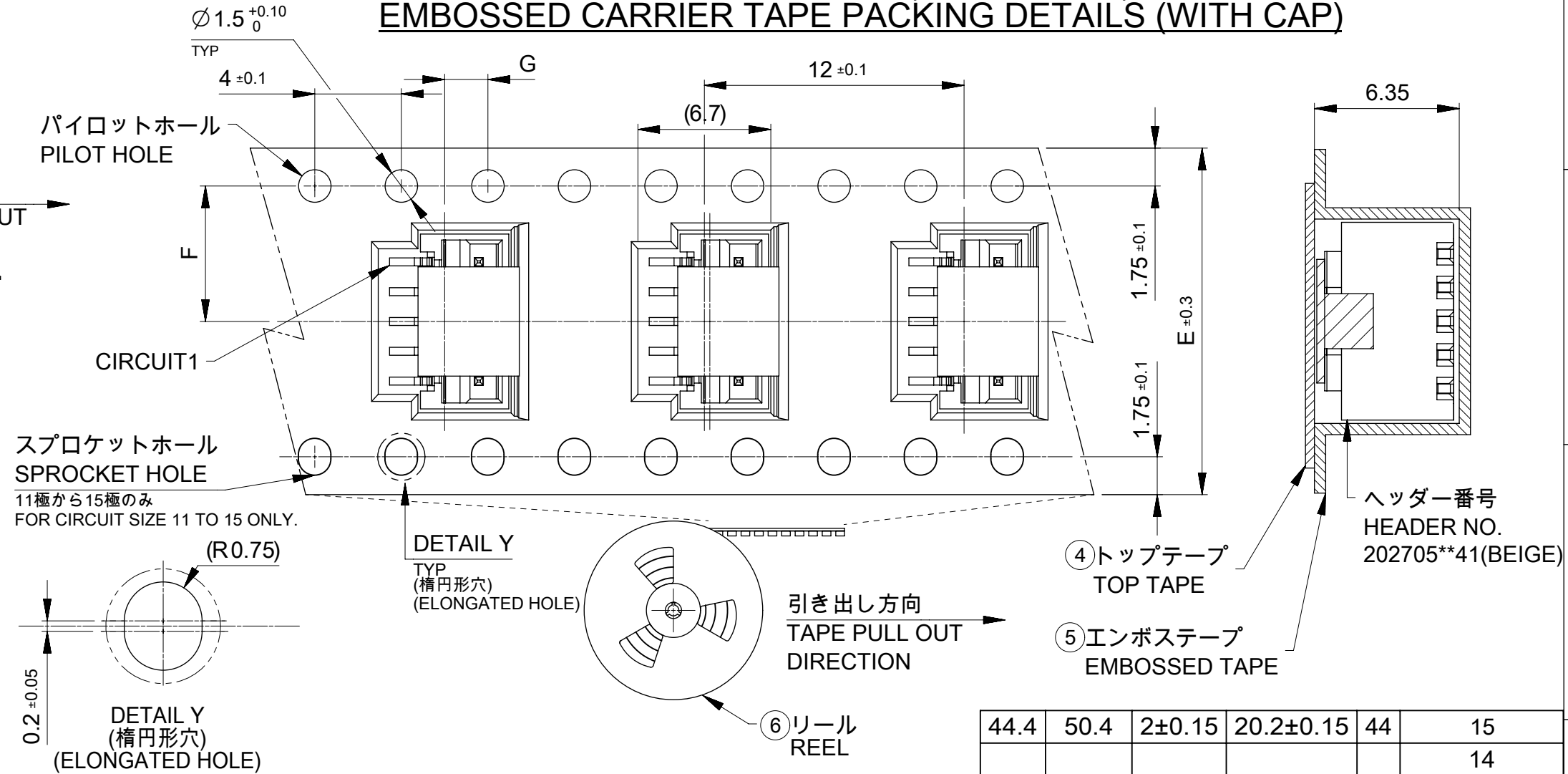


THIS DRAWING CONTAINS INFORMATION THAT IS PROPRIETARY TO MOLEX ELECTRONIC TECHNOLOGIES, LLC AND SHOULD NOT BE USED WITHOUT WRITTEN PERMISSION									
DIMENSION UNITS	SCALE	CURRENT REV DESC:			<b>molex</b>				
mm	8:1								
GENERAL TOLERANCES (UNLESS SPECIFIED)		EC NO: 712179			PICO-SPOX 1.5 W/B SINGLE ROW VERTICAL SMT PLUG ASSEMBLY GOLD PLATING				
ANGULAR TOL	± 3.0 °	DRWN: TENAGASE 2022/06/28			PRODUCT CUSTOMER DRAWING				
4 PLACES	± 0.2	CHK'D: SAKIYAMA 2022/06/28			DOCUMENT NUMBER				
3 PLACES	± 0.2	APPR: AIDA 2022/06/28			2027050241				
2 PLACES	± 0.2	INITIAL REVISION:			DOC TYPE DOC PART REVISION				
1 PLACE	± 0.2	DRWN: RTANAKA02 2016/08/08			PSD 000 D				
0 PLACES	± 0.2	APPR: TKANEKO 2017/03/23			MATERIAL NUMBER CUSTOMER SHEET NUMBER				
DRAFT WHERE APPLICABLE MUST REMAIN WITHIN DIMENSIONS		THIRD ANGLE PROJECTION	DRAWING	SERIES	SEE SHEET 4		GENERAL		2 OF 4

リール 詳細  
REEL DETAILS

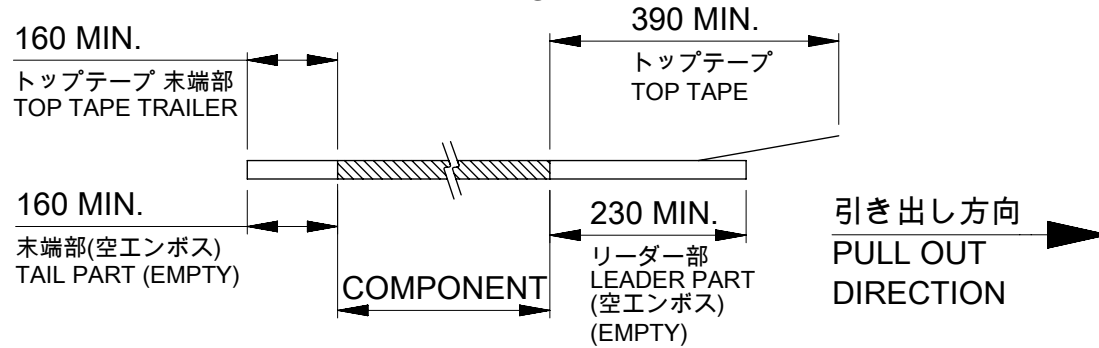


エンボス梱包 詳細 (キャップ付き)  
EMBOSSED CARRIER TAPE PACKING DETAILS (WITH CAP)

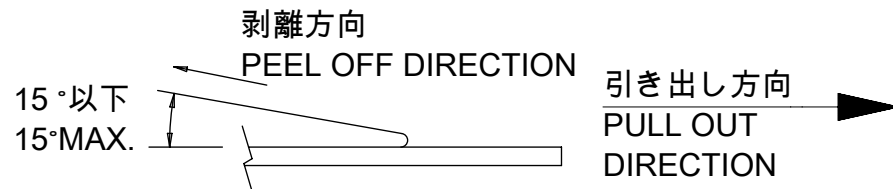


注記  
NOTE

7. リーダー部および末端部テープ長さ  
LEADER AND TRAILER TAPE LENGTH



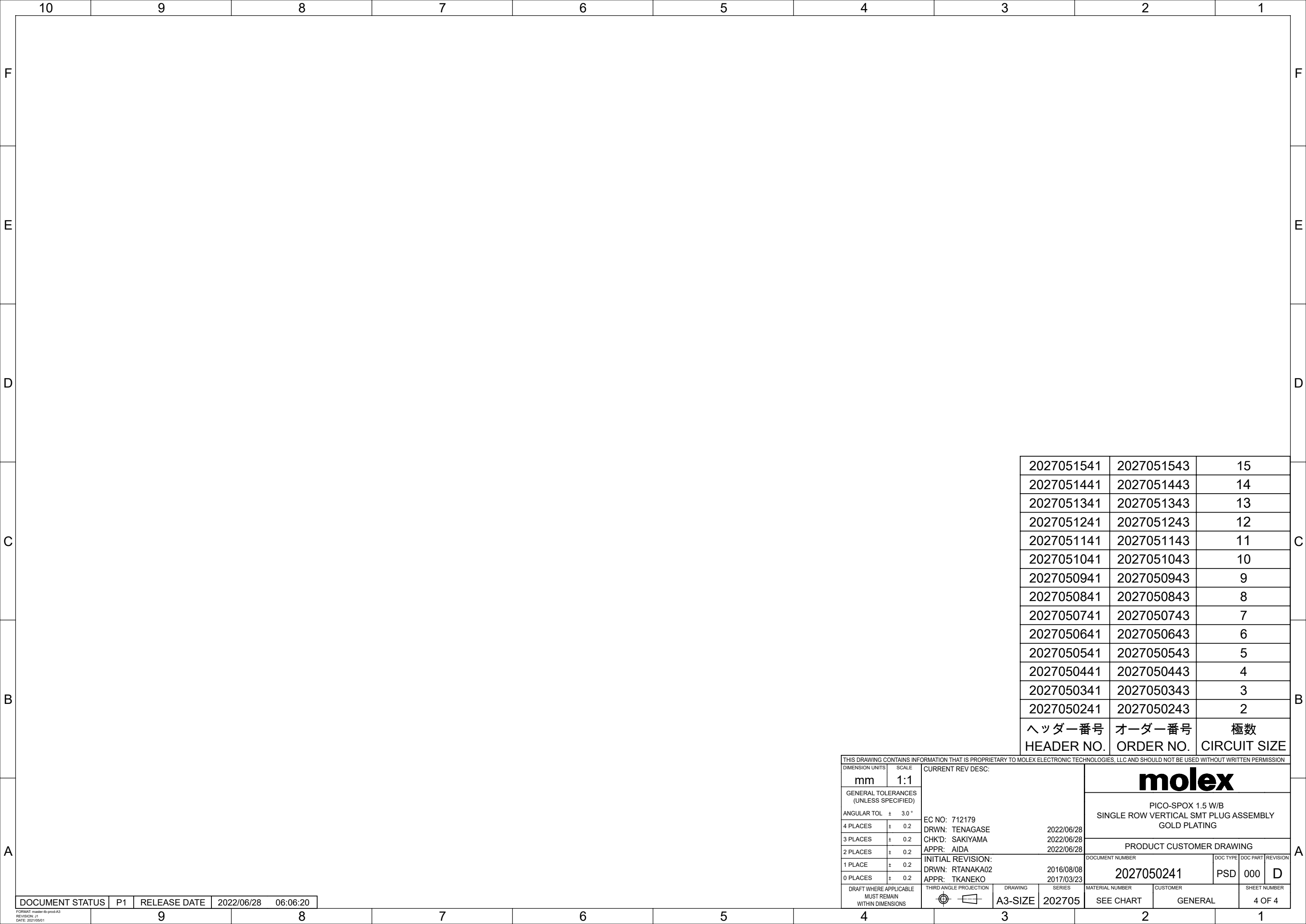
8. トップテープの剥離強度 : IEC60286-3に準拠。  
PEELING OFF FORCE OF THE TOP TAPE: DEFINED IEC60286-3.  
(剥離方向は下図を参照)  
(PEELING DIRECTION AS SHOWN IN FOLLOWING FIGURE)



- 9. EIA-481に準拠する。  
PACKAGING STANDARD IS AS PER EIA-481.
- 10. 梱包数量=900個/リール  
TAPE & REEL QUANTITY=900PCS/REEL
- 11. 本製品は乾燥剤入りハイバリア梱包での納品となる。  
THIS PRODUCT IS DELIVERED IN A HIGH BARRIER PACKAGE WITH DESICCANT.
- 12. 梱包仕様書 : 2027059200 PS 200  
PACKING INFORMATION : 2027059200 PS 200

44.4	50.4	2±0.15	20.2±0.15	44	15
32.4	38.4	2±0.1	14.2±0.1	32	14
					13
					12
					11
24.4	30.4	2±0.1	11.5±0.1	24	10
					9
					8
16.4	22.4	2±0.1	7.5±0.1	16	7
					6
					5
					4
					3
J	H MAX	G	F	E	極数 CIRCUIT SIZE

番号 NO.	部品 PART	材質 MATERIAL	THIS DRAWING CONTAINS INFORMATION THAT IS PROPRIETARY TO MOLEX ELECTRONIC TECHNOLOGIES, LLC AND SHOULD NOT BE USED WITHOUT WRITTEN PERMISSION	
④	エンボステープ EMBOSSED TAPE	ポリスチレン POLYSTYRENE (PS)	DIMENSION UNITS mm	SCALE 1:1
⑤	トップテープ TOP TAPE	ポリエチレン POLYETHYLENE (PE)	CURRENT REV DESC:	
⑥	リール REEL	ポリスチレン POLYSTYRENE (PS)	EC NO: 712179 DRWN: TENAGASE CHK'D: SAKIYAMA APPR: AIDA	
GENERAL TOLERANCES (UNLESS SPECIFIED)			2022/06/28	
ANGULAR TOL ± 3.0°			2022/06/28	
4 PLACES ± 0.2			INITIAL REVISION:	
3 PLACES ± 0.2			DRWN: RTANAKA02 APPR: TKANEKO	
2 PLACES ± 0.2			2016/08/08	
1 PLACE ± 0.2			2017/03/23	
0 PLACES ± 0.2			DOCUMENT NUMBER 2027050241	
DRAFT WHERE APPLICABLE MUST REMAIN WITHIN DIMENSIONS			DOC TYPE PSD	
THIRD ANGLE PROJECTION			DOC PART 000	
DRAWING A3-SIZE			REVISION D	
SERIES 202705			MATERIAL NUMBER SEE SHEET 4	
CUSTOMER GENERAL			SHEET NUMBER 3 OF 4	



2027051541	2027051543	15
2027051441	2027051443	14
2027051341	2027051343	13
2027051241	2027051243	12
2027051141	2027051143	11
2027051041	2027051043	10
2027050941	2027050943	9
2027050841	2027050843	8
2027050741	2027050743	7
2027050641	2027050643	6
2027050541	2027050543	5
2027050441	2027050443	4
2027050341	2027050343	3
2027050241	2027050243	2
ヘッダー番号 HEADER NO.	オーダー番号 ORDER NO.	極数 CIRCUIT SIZE

THIS DRAWING CONTAINS INFORMATION THAT IS PROPRIETARY TO MOLEX ELECTRONIC TECHNOLOGIES, LLC AND SHOULD NOT BE USED WITHOUT WRITTEN PERMISSION											
DIMENSION UNITS	SCALE	CURRENT REV DESC:			<b>molex</b>						
mm	1:1										
GENERAL TOLERANCES (UNLESS SPECIFIED)		EC NO: 712179 DRWN: TENAGASE 2022/06/28 CHK'D: SAKIYAMA 2022/06/28 APPR: AIDA 2022/06/28			PICO-SPOX 1.5 W/B SINGLE ROW VERTICAL SMT PLUG ASSEMBLY GOLD PLATING						
ANGULAR TOL	± 3.0 °				PRODUCT CUSTOMER DRAWING						
4 PLACES	± 0.2				INITIAL REVISION:			DOCUMENT NUMBER	DOC TYPE	DOC PART	REVISION
3 PLACES	± 0.2				DRWN: RTANAKA02 2016/08/08			2027050241	PSD	000	D
2 PLACES	± 0.2				APPR: TKANEKO 2017/03/23						
1 PLACE	± 0.2	DRAFT WHERE APPLICABLE MUST REMAIN WITHIN DIMENSIONS			THIRD ANGLE PROJECTION	DRAWING	SERIES	MATERIAL NUMBER	CUSTOMER	SHEET NUMBER	
0 PLACES	± 0.2					A3-SIZE	202705	SEE CHART	GENERAL	4 OF 4	

DOCUMENT STATUS	P1	RELEASE DATE	2022/06/28	06:06:20
-----------------	----	--------------	------------	----------