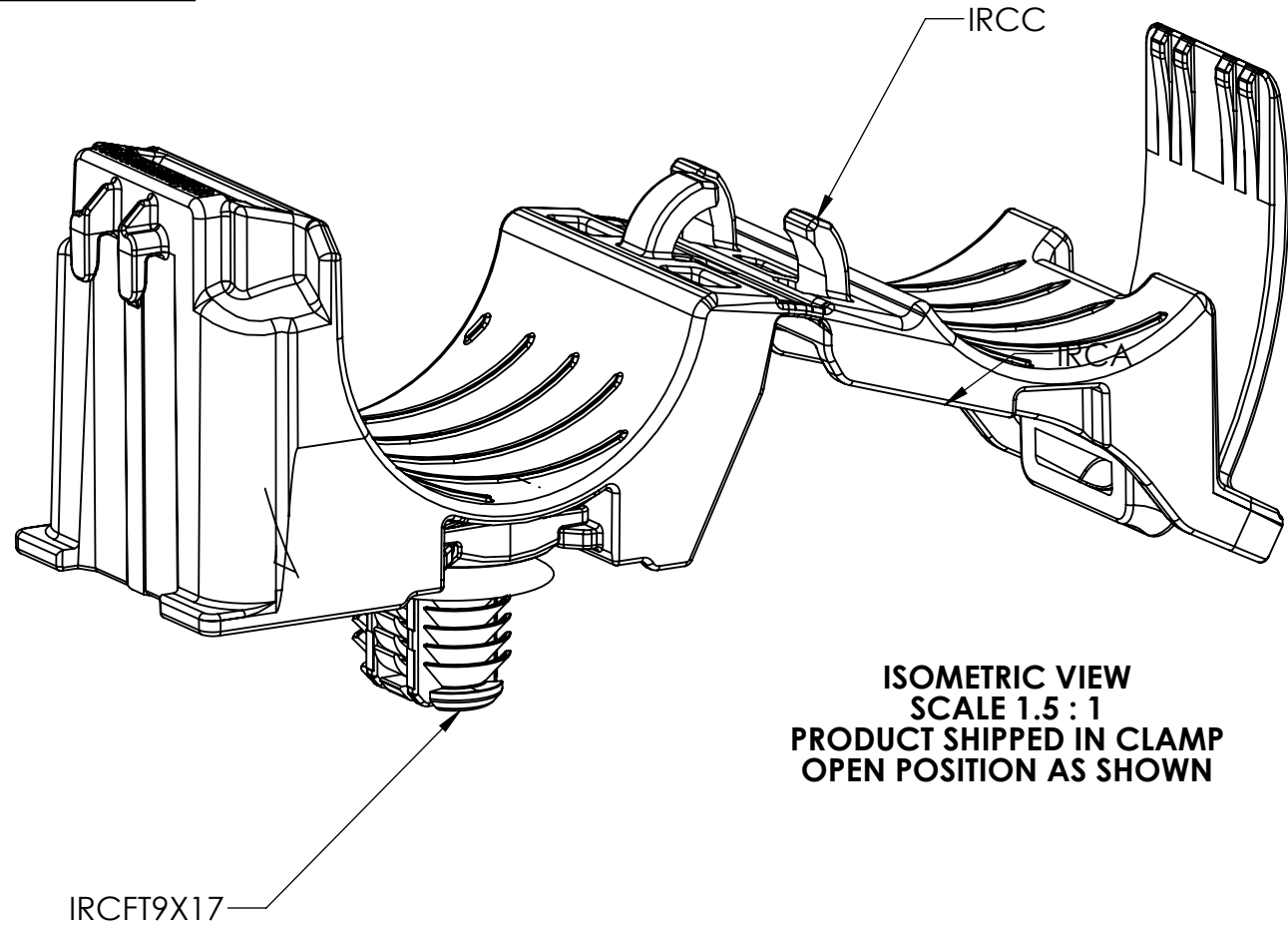
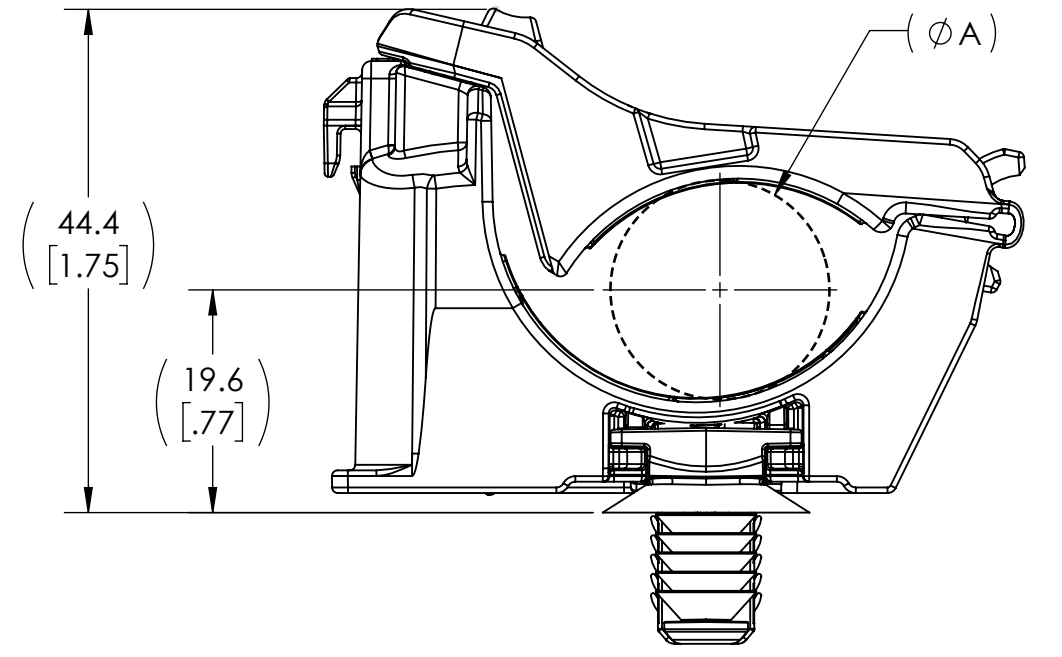
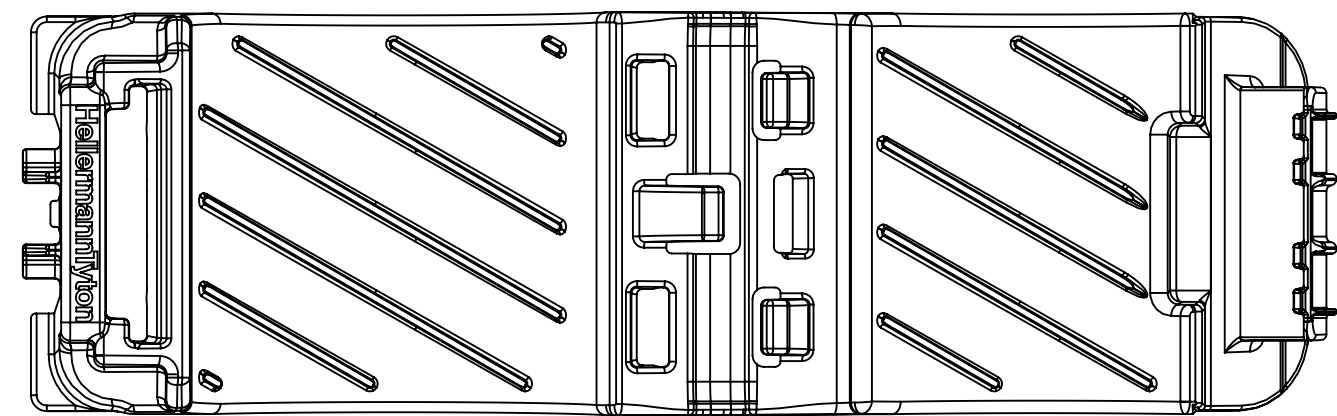


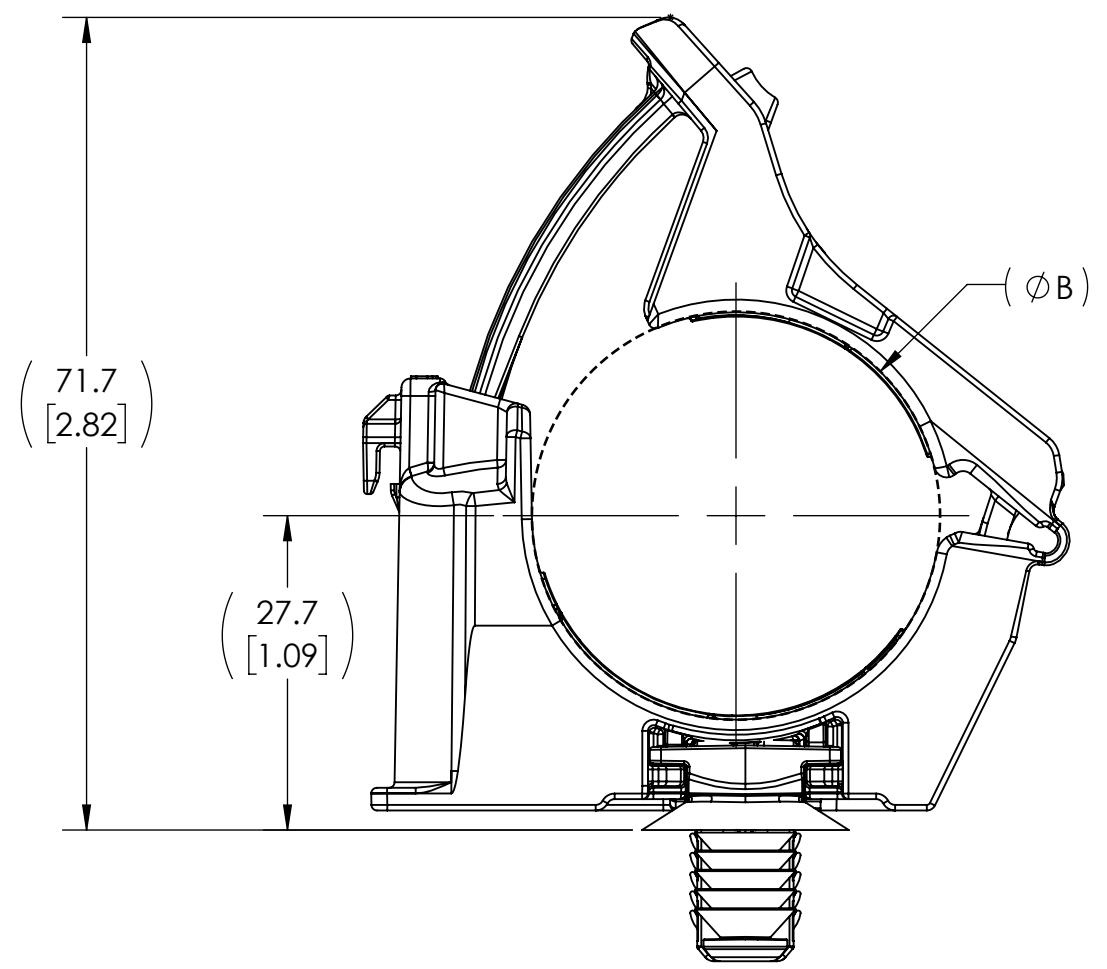
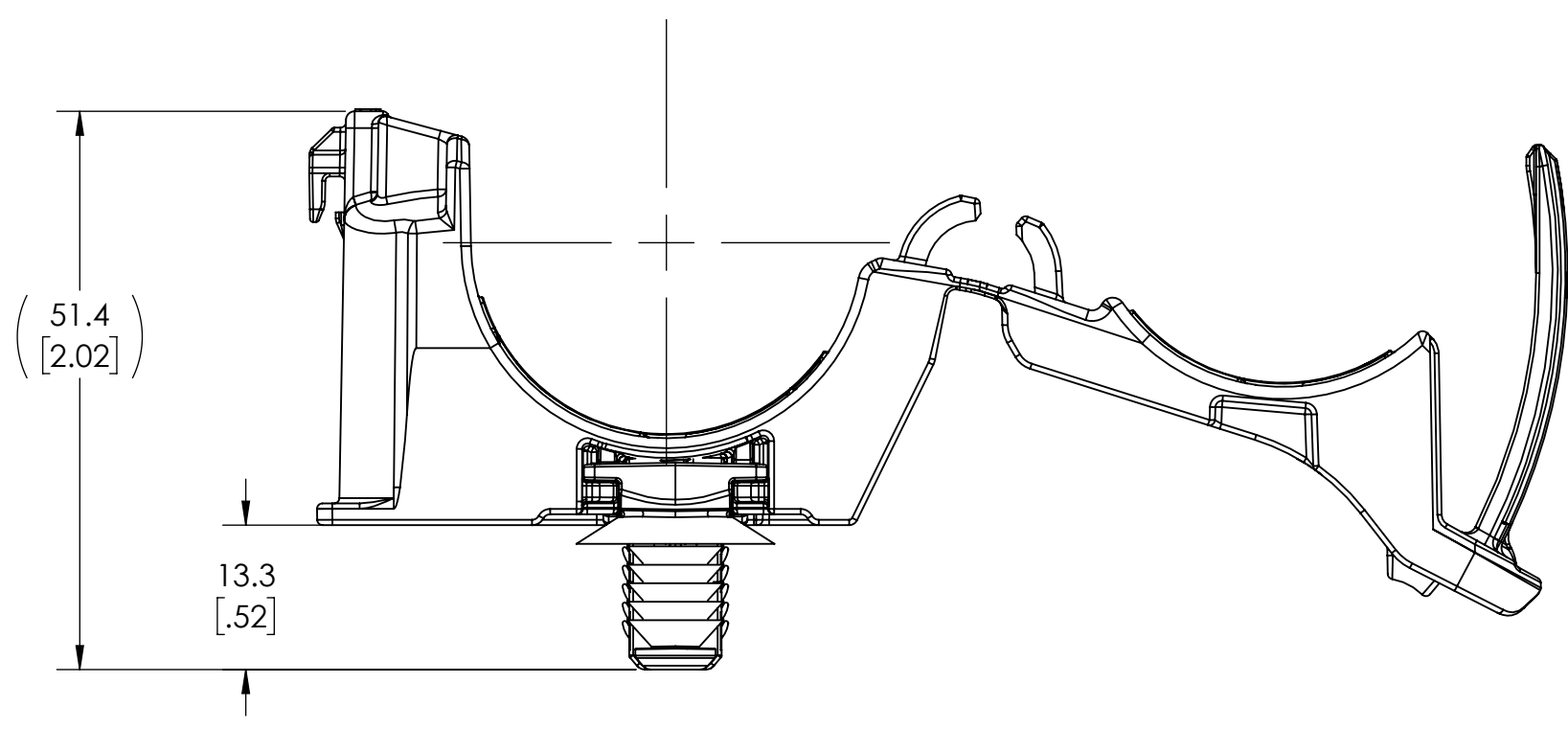
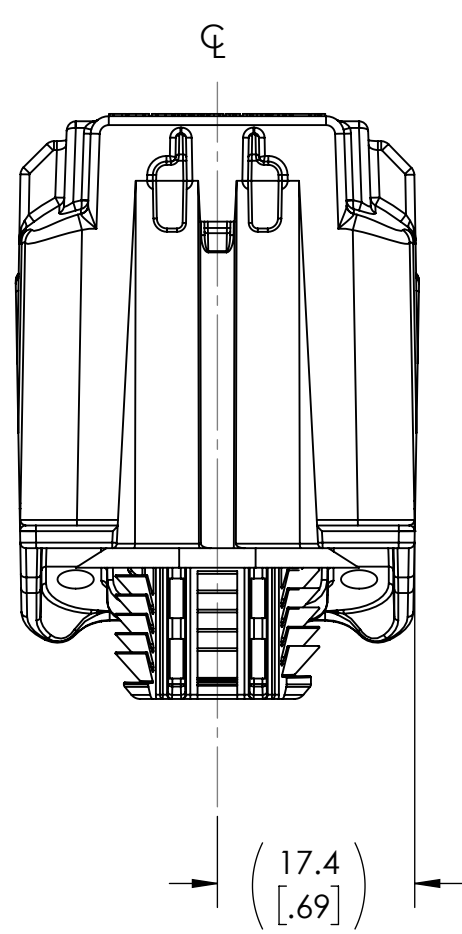
Revision level			Revision Record	Changed	Date	Approved	Date
Drawing	State	Part					
00.0	Design Release		SEE ECN# 015255	MHT	06/28/2019	CTF	06/28/2019



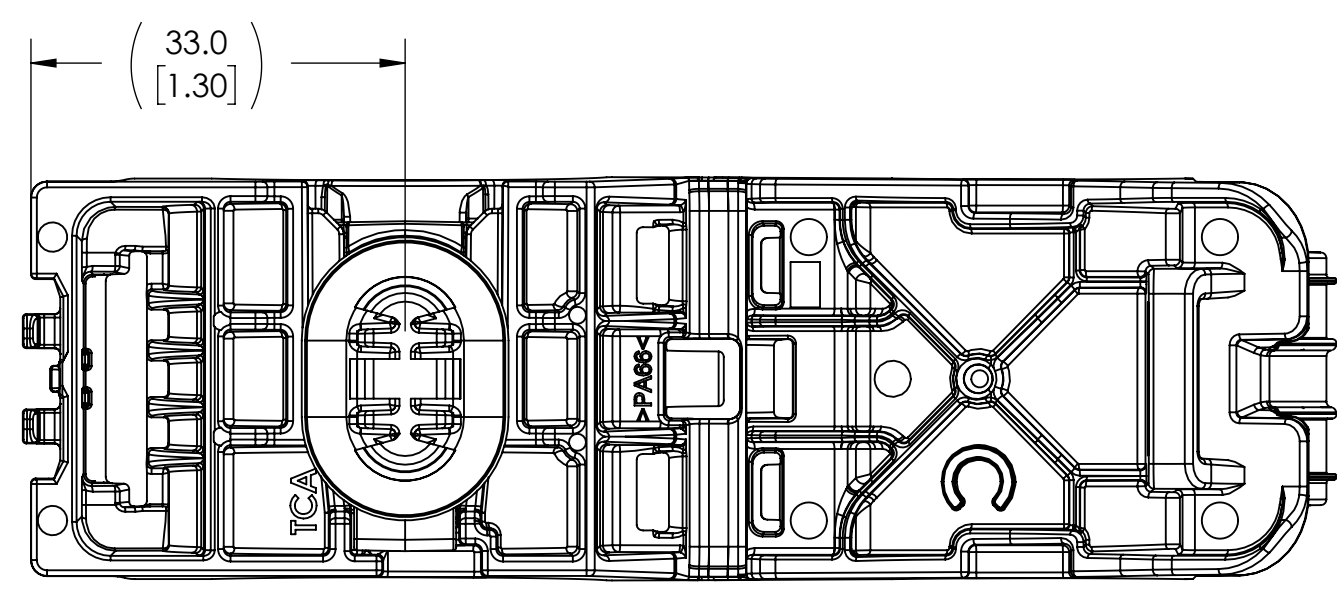
ISOMETRIC VIEW
SCALE 1.5 : 1
PRODUCT SHIPPED IN CLAMP
OPEN POSITION AS SHOWN



MINIMUM BUNDLE DIAMETER




MAXIMUM BUNDLE DIAMETER



- REFERENCE:**
- SHEET METAL THICKNESS RANGE: 0.60mm - 6.75mm
 - APPLICABLE HOLE SIZE:
A. 9.0 X 17.0mm +0.2/-0.4

GLOBAL PART DESCRIPTION	BUNDLE TYPES	(A) MINIMUM DIAMETER	(B) MAXIMUM DIAMETER	IRCC CLAMP			IRCFT9X17 CONNECTOR CLIP		
				DRAWING	MATERIAL	COLOR	DRAWING	MATERIAL	COLOR
IRCCT9X17-PA66HIRHSUV-BK	SOFT	19.4 [.76]	36.0 [1.42]	16-1641-003-CSU	PA66HIRHSUV	BLACK	16-1645-040-CSU	PA66HIRHSUV	BLACK
	HARD	18.6 [.73]	35.2 [1.39]						

Notes	Material SEE CHART	Units: millimeters Dimension without tolerances details to: .xxx = ±.013 .xx = ±.13 .x = ±.3 None = ±.8 ∠ = ±0.5° Dimension Formatted mm{in}	The copyright of this drawing is reserved by HellermannTyton. It is issued on condition that it is not reproduced, copied, or disclosed to a third party, either wholly or in part, without the consent of HellermannTyton.	Drawn	MHT	06/24/2019	Article/Type-No IRCCT9X17	Scale 3:2					
				Approved	CTF	06/24/2019							
				 North America Email: corp@htamericas.com Web: www.hellermann.tyton.com					Title		INLIE RATCHET P-CLAMP C WITH 9X17mm OVAL FIR TREE	Project Number	PRP19-0332
									Drawing-No		19-0332-103-CSU	Production : Phase	Format
								Sheet	1/1				